

# Introduction

The proper selection and application of exit hardware, in addition to safety, are major concerns to all responsible manufacturers. Exit devices are a critical part of a door opening or access system and will provide safe and reliable service when properly applied and maintained. It is the policy of Von Duprin Division, Allegion, to design and manufacture exit devices to a high standard of quality and reliability in accordance with accepted U.S. domestic and international standards. All 55 series exit devices are UL listed for Accident Hazard or Fire Exit Hardware, and are tested in accordance to ANSI A156.3, Grade I.

It is intended that the information included in this publication, when properly used, will provide clear and reliable guidelines to the proper general selection and application. However, the scope of the information is necessarily limited.

Unusual operating conditions and environments, and other external influences can affect the proper application of the products represented. Modifications of these products will also affect UL listings. It is recommended whenever an unusual application condition exists, or when any modification of a product is considered, our engineers review the application.

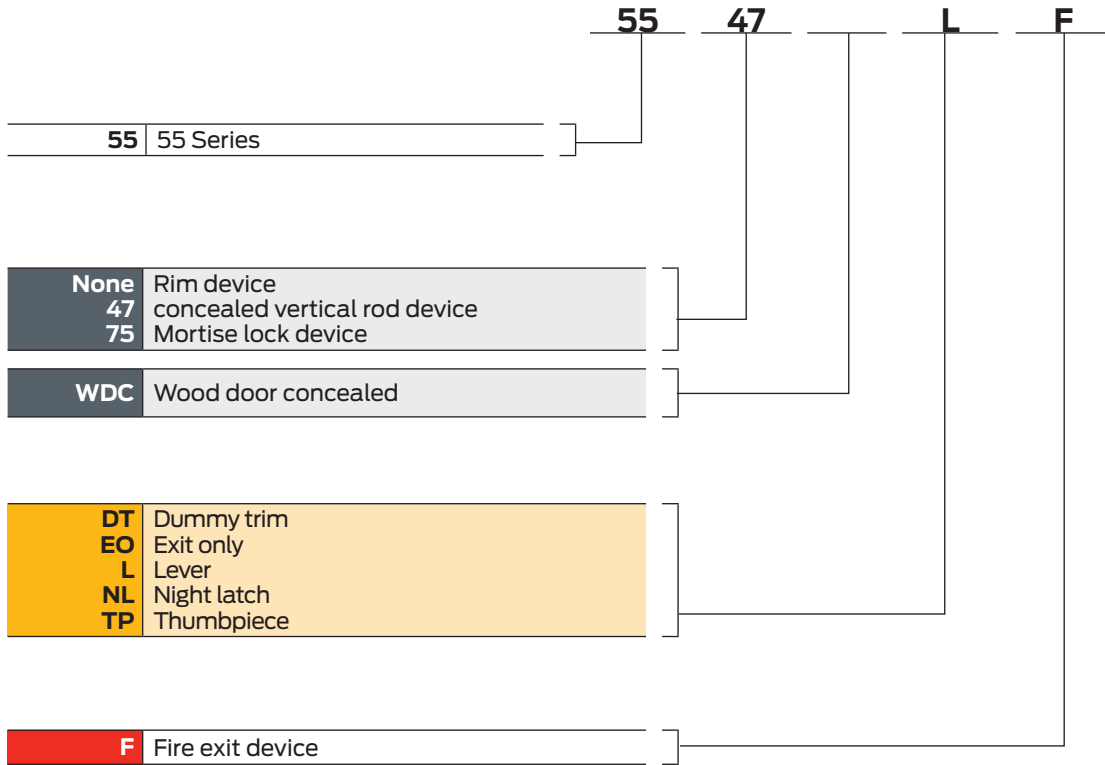
Application engineering services are available to help ensure proper selection or to review any areas where users of Von Duprin products may have questions.

**VON DUPRIN**  
Administrative Offices  
2720 Tobey Dr.  
Indianapolis, IN 46219

**Customer Service**  
877-671-7011  
800-999-0328 - Fax

**Technical Support**  
877-671-7011

# How to order



### Rim and mortise lock devices, specify:

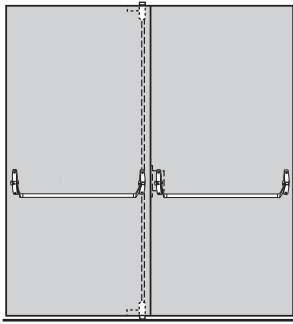
- Exit device model number and trim selection.  
Examples: 55EO (exit only and no outside trim). 55DT (includes standard 550 DT trim).
- Door width if greater than 4' (1219mm).
- Door thickness if other than 1<sup>3</sup>/<sub>4</sub>" (44mm).
- Door and frame material if other than hollow metal.
- Finish, see page 28.
- Handing, LHR or RHR.

### Vertical rod devices, specify:

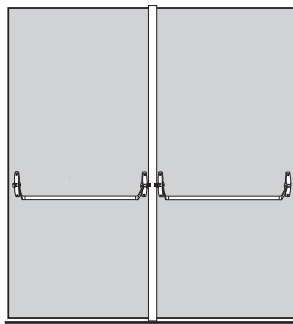
- Exit device model number and trim selection.  
Examples: 5547EO (exit only and no outside trim). 5547DT (includes standard 550DT trim).
- Door width if greater than 4' (1219mm).
- Door thickness if other than 1<sup>3</sup>/<sub>4</sub>" (44mm).
- Door height if other than 8' (2438mm), extension rods must be ordered.
- Door and frame material if other than hollow metal.
- Finish, see page 28.
- Handing, LHR or RHR.

# Popular double door applications

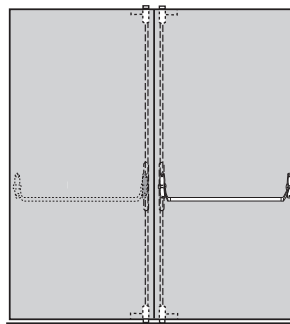
## Double door applications



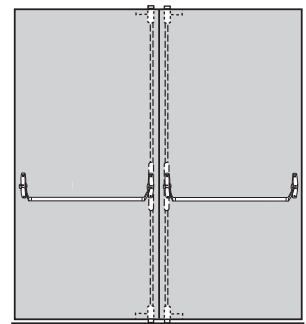
Mortise lock and vertical rod device combination — same direction  
\*hollow metal only



Two rim devices with mullion — same direction



Two vertical rods — double egress



Two vertical rod devices — same direction (do not use with overlapping astragal)

## Door handing

Left hand reverse orientation



Right hand reverse orientation



**LHR**  
(Left hand reverse)



**RHR**  
(Right hand reverse)

Outside

# Outside trim operation

## Trim operation lever

### Standard operation



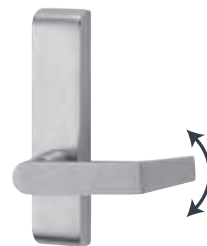
Key locks and unlocks lever.

### NL Function



Lever is locked when key is removed.  
(ANSI 09 function)

### Blank escutcheon



Lever always active. BE suffix,  
E.G., 371L-BE.

## Standard trim

### Series 550

Heavy aluminum bracket 10" (25mm) with stainless steel or brass pull bar. 550DT with NL function is furnished with 110MD or WD rim device. On 555NL (Metal) and 556NL (Wood), the cylinder locates in pull return. Cylinder must be ordered separately.



550DT



555NL  
(5547 only)



556NL  
(5547WDC only)

### Series 376T

Thumbturn control has a forged brass 7/8" (25 mm) thick escutcheon. Often used with DT trim or pull. An NL cylinder plate is included with thumbturn control for night latch operation if required. BE blank escutcheon is available, specify 376T-BE.



376T



375L (5575-F)




### Series 370L

Lever control has a forged brass 7/8" (25 mm) thick escutcheon. Optional lever designs are available. An NL cylinder plate is included with lever control for night latch. BE Blank escutcheon is available, specify 371L-BE.



371L (5547-F)  
376L (5547/5547WDC)  
379L (55 Rim)

Standard trim

|                       | EO        | DT  | NL  | L   |
|-----------------------|-----------|---|---|---|
|                       |           |  |  |  |
|                       | Exit only | Dummy trim<br>Pull when dogged  | Night latch<br>Key retracts latch bolt  | Lever<br>Locks/unlocks  |
| Product description   | 55EO      | 55DT  | 55NL  | 55L   |
| Trim description      | —         | 550DT   | 550DT/110MD   | 379L  |
| Escutcheon plate size | —         | —   | —   | 7½" x 1⅞"   |
| Pull overall length   | —         | 3⅝" x 11 9/16"  | 3⅝" x 11 9/16"  | —   |
| Pull center to center | —         | 10"   | 10"   | —   |
| Projection            | —         | 2 5/8" x 1 7/8"   | 2 5/8" x 1 7/8"   | 2 5/8"  |
| ANSI function         | 01        | 02  | 03  | 08  |
| Cylinder type         | —         | —   | Rim   | Mortise   |
| Handing               | Handed    | Handed  | Handed  | Handed  |
| Sex bolts furnished   | 4         | 4   | 4   | —   |

Notes