

## Datasheet

### A6U49 - Mid-Range UHF Reader

#### Product Description

This mid range UHF (902-928 MHz) system is ideal for the identification of people and vehicles at a distance of up to 20 ft. It operates with UHF credentials with proprietary security encryption.

The A6U49 offers two operating modes: standalone or Wiegand. In standalone mode, outbound connections are via two output relays. The Wiegand mode facilitates smooth integration with access control solutions.

U4GO makes it easy to control secure access to parking facilities, gated communities and campuses. The reader is backed by an interface that can manage up to 7,560 tags and thanks to its own built-in receiver, up to 100 transmitters.

**U4GO**



#### Key Features


- Gate access automation system
- Stand-alone or Wiegand mode
- Up to 20 ft (6 m) range
- Detects vehicles up to 50 mph (80 km/h)
- Proprietary UHF detection
- Supplied with power supply, pole fixing bracket, and AES128 receiver

 Certification

 DEEE

**RoHS** Certification

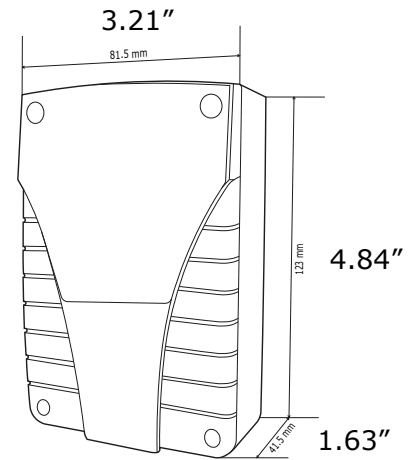
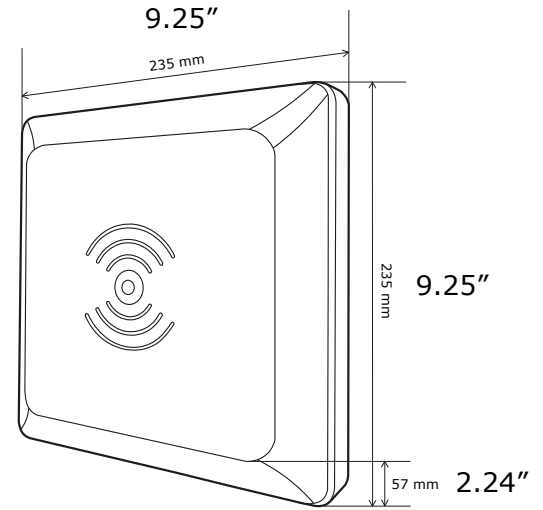
 IP55

 -4°F to 131°F  
-20°C to 55°C

All the information contained within this document (pictures, drawings, features, dimensions, specifications), could be perceptibly different and can be changed without prior notice. Published: 25 August 2023. CDVI\_A6U49\_DS\_01\_EN-FR\_LETTER\_C

## Product Specifications

	Reader	Receiver
<b>Material:</b>	Polycarbonate	Polycarbonate
<b>Technology:</b>	UHF	Wiegand 26, 30 & 44 bits
<b>User limit</b>		
Standalone:	7,560 tags	100 transmitters
Wiegand:	dependent on access control	dependent on access control
<b>Range:</b>	20 ft (6 m)	-
<b>Frequency:</b>	902-928 MHz	433.92 MHz
<b>Modulation:</b>	FHSS	GFSK
<b>Connection:</b>	RS485	RS485
<b>Encoding:</b>		AES128-bit
<b>Relays:</b>	-	2x24V AC (max 48V)
<b>Delay:</b>	-	From 1 sec to 23h59min
<b>Contacts:</b>	-	C, NO
<b>Operating mode:</b>	-	Pulse, step, delayed
<b>Weight:</b>	2 lb, 900 g	2.3 oz, 65 g



## Electrical Specifications

<b>Power supply:</b>	9 V DC	12/24 V AC/DC
<b>Consumption:</b>	350 mA (650 max)	25 mA (50 max)

## Accessories



**CTU48**  
UHF ISO RFID card



**ATU48P**  
UHF RFID sticker



**RXAES/R2TAES**  
2 or 4 button AES remote