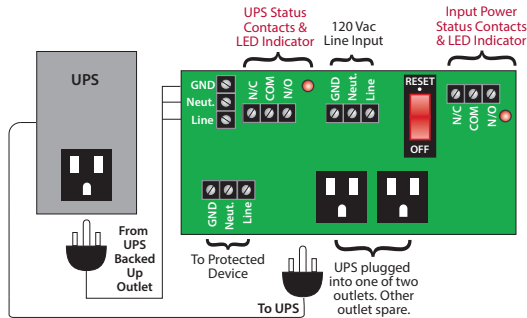


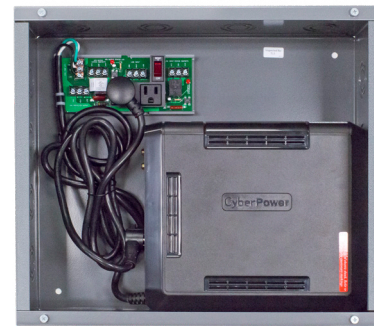
UNINTERRUPTABLE POWER SUPPLY KIT

PSH850-UPS-STAT

850VA UPS Backup Power Control Center, Status Contacts, 14" x 16" x 6" Metal Enclosure



Shown With Cover



Shown Without Cover



SPECIFICATIONS

SINUSOIDAL OUTPUT OR PURE SINE WAVE OUTPUT

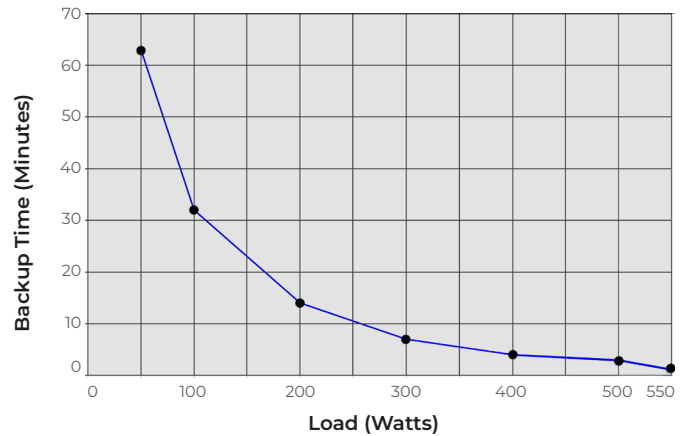
UPS

- UPS: 850VA
- Backup Time: 2 Min. @ Full 850 VA Load 8 Min. @ 1/2 Load
- Input: 120 Vac, 12 Amp
- Sine Wave Output: 120 Vac, 7.1 Amp
- Max Load: 510 Watt
- Frequency: 50/60 Hz
- UPS Temperature Rating: 32 to 95° F
- UPS Transfer Time: 4ms
- Approvals: UL Listed, UL1778 Cyber
- Model: Power Model 850PFCLCD

PSH2C2RB10-L

- Operating Temperature: -30 to 140° F
- Humidity Range: 5 to 95% (noncondensing)
- Main Breaker ON/OFF: Switch / Breaker (10 Amp)
- Approvals: UL Listed, UL916, C-UL, CE, RoHS
- Dimensions: 14.000" H x 16.000" W x 6.000"D Metal Housing with Screw Cover
- Origin: Made of US and non-US parts

ESTIMATED BACKUP TIME VS. LOAD



Line Input Status Contacts & UPS Output Status Contacts Rated:

- 10 Amp @ 277 Vac General Use
- 10 Amp @ 30 Vdc (N/O)
- 7 Amp @ 30 Vdc (N/C)
- 1/2 HP @ 125 Vac
- 1/4 HP @ 277 Vac
- 1000 VA @ 120 Vac Magnetic Ballast (N/C)
- C300 Pilot Duty
- 16.8 VA @ 24 Vac Pilot Duty

UPS Status Contacts & LED Indicator

The UPS status contacts and LED indicate power from the UPS. When normal power is present, the relay is energized, and the LED is on. When normal power is lost, the relay will be energized as long as the UPS can sustain it (until the UPS battery is depleted), and the LED is on.

Input Power Status Contacts & LED Indicator

The input power status contacts and LED indicate the presence of normal power. When normal power is present, the relay is energized, and the LED is on. When normal power is lost, the relay is de-energized, and the LED is off.

Notes:

To order without UPS, so that any other commercial UPS with appropriate ratings and within housing space limitations may be used, see model PSH2C2RB10-L.

To order interface board for replacement or for separate use, order model PSMN2C2RB10.

Typical battery life: 3-6 years, depending on number of discharge/recharge cycles