



Sounder and Strobe Dual Ex de Surface Mount  
(shown with optional Indicator Ring and Legend Plate Kit)



Sounder and LED Dual Ex de U-Bracket Mount  
(shown with optional Indicator Ring and Legend Plate Kit)



Dual Loudspeaker Ex de Surface Mount

## Model G-MSC-2

# Global Series® Hazardous Location Dual Signal

Federal Signal's patented Global Series® models were designed with modularity in mind. While they are completely functional as stand-alone devices in both flameproof "Ex d" and increased safety "Ex de" assemblies, 2-module configurations are also available to serve applications that require more than one signal. Global Series devices are designed with a non-metallic housing construction.

The Dual Signal assembly allows two audible or visual Global Series devices to be combined as one complete assembly, with a common increased safety "Ex de" field wiring chamber that greatly simplifies the installation and wiring of two signals. The Dual Signal can be surface mounted or mounted with an optional ratchet-adjustable stainless steel mounting U-bracket.

Either of the devices can be wired to function independently or in tandem<sup>1</sup>. Two like devices can also be combined to support a redundant alerting system, simplifying the installation of A/B redundant systems.

Note: Refer to individual Global Series data sheets for additional information.



## FEATURES

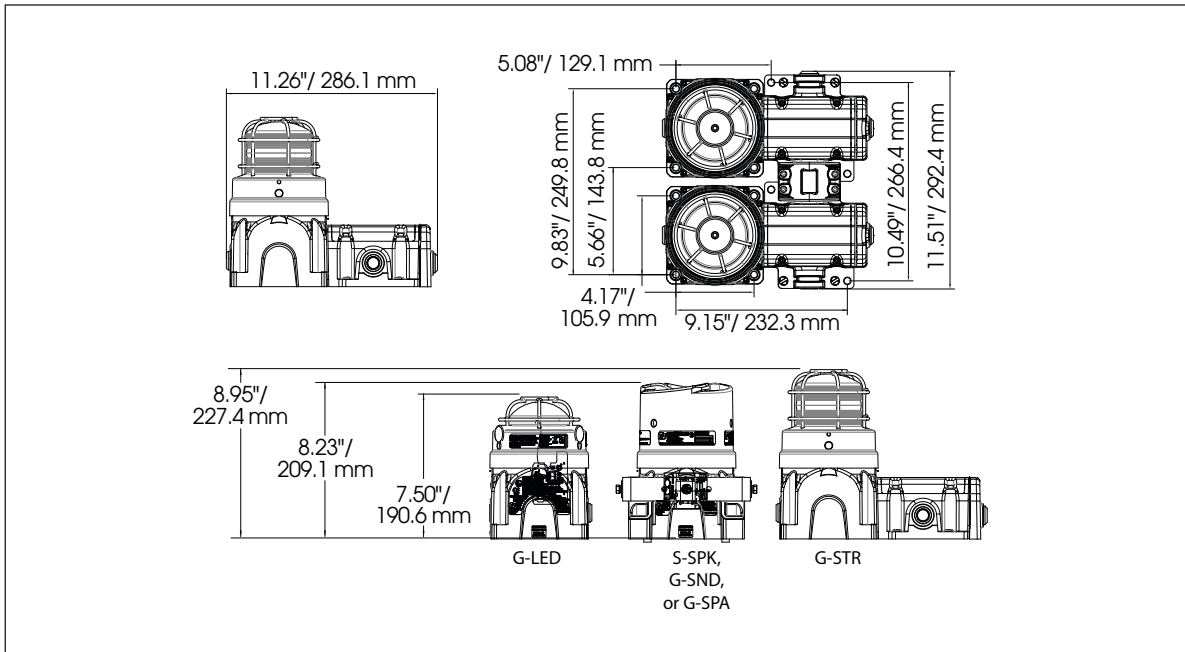
- GRP (Glass Reinforced Polyester) Non-metallic corrosion-resistant design, available in Red or Black
- Optional stainless steel ratchet-adjustable mounting U-bracket (field assembly required)
- 316 stainless steel dome guard included on visual signals
- Standard M20 cable entries; 1/2-inch NPT and 3/4-inch NPT adapters available; M25 cable entry option
- LED has (8) field-selectable flash patterns
- High-output strobe available in 15 J or 21 J
- Sounder has (15) field-selectable tones
- Optional indicator rings are available in six colors: Black, Blue, Green, Magenta, Red and Yellow
- Field-customizable legend plates available<sup>2</sup>
- IP66 enclosure
- G-LED and G-STR units are IP69K compliant
- Zone 1, 21 Rated, IECEx, ATEX, Ex d IIC, Ex de IIC and Ex tb IIC
- UL and cUL Listed for Class I, Division 2, Groups A, B, C and D; Class II, Division 2, Groups F and G; Class III
- UL Fire Listed (24 Vdc, Clear 21 J Strobe and Sounder only)
- UKEX certified

<sup>1</sup> Refer to application guide for specific wiring details

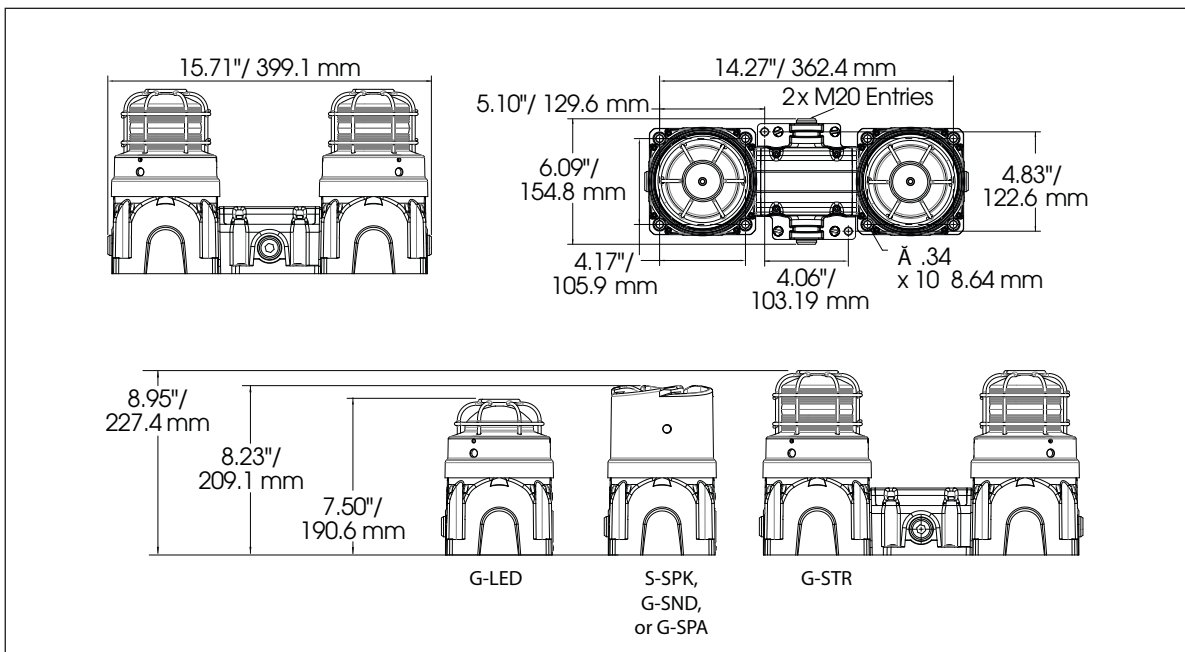
<sup>2</sup> Recommended labels: BRADY #B-855 Toughwash labels or ULINE #S-16643 weather resistant

Global Series® Hazardous Location Dual Signal (G-MSC-2)

**G-MSC-2A – Linear**

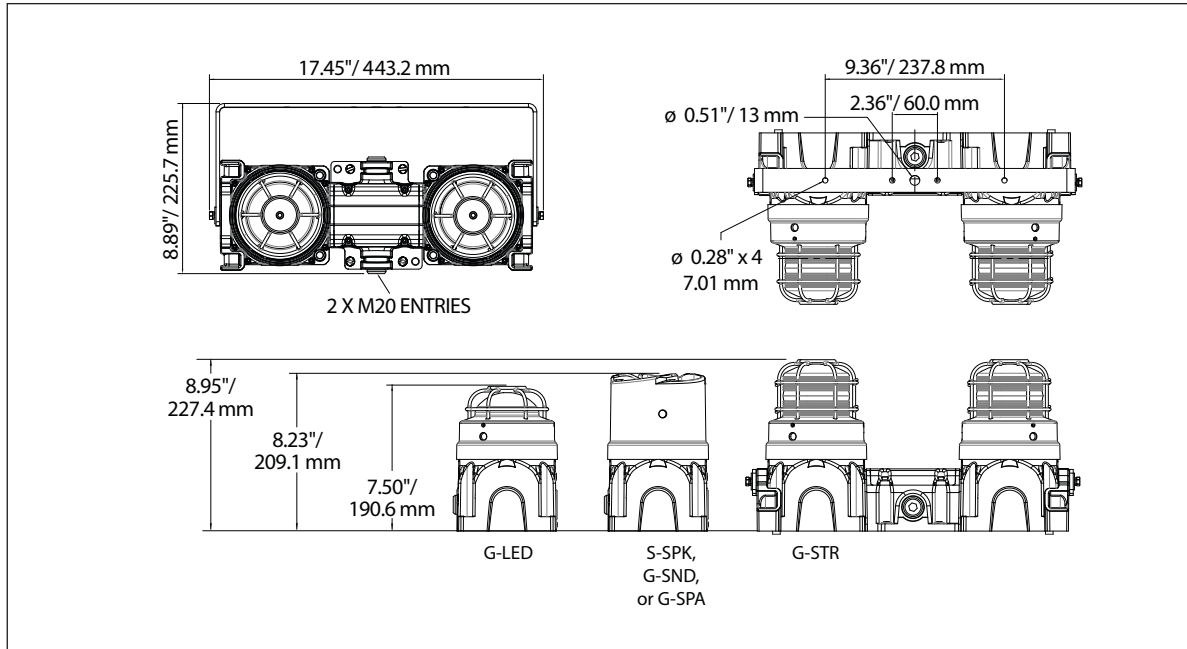


**G-MSC-2B – Parallel**



# Global Series® Hazardous Location Dual Signal (G-MSC-2)

## G-MSC-2C – Parallel with U-Bracket



### SPECIFICATIONS

Operating Temperature Range:	-67° to 158°F (-55 to 70°C)
Certification Marking:	Ex db IIC Gb, Ex tb IIIC Db IP66 Ex db e IIC Gb, Ex tb IIIC Db IP66
LED Models:	ATEX: Baseefa15ATEX0153X IECEX: IECEX BAS 15.0102X
Strobe Models:	ATEX: Baseefa15ATEX0154X IECEX: IECEX BAS 15.0103X
Audible Models:	ATEX: Baseefa15ATEX0155X IECEX: IECEX BAS 15.0104X
Guard and External Fasteners:	316 stainless steel
Terminals:	Ex d: 6-way block (3 in, 3 out) Ex de: 2x3 position quad-pole terminal block
Cable Entries:	Ex d: 2 entries - M20 x 1.5 Ex de: 3 entries - M20 x 1.5

**Step 1** - For dual models, add the net weight of each product being ordered:

Model S-STR – Strobe	7.17 lb (3.25 kg)
Model G-LED – LED	6.17 lb (2.80 kg)
Model G-SND – Sounder	9.61 lb (4.36 kg)
Model G-SPA – Amplified Speaker	9.65 lb (4.38 kg)
Model G-SPK – Loudspeaker	9.20 lb (4.17 kg)

**Step 2** - Add one of the following mounting options to calculate over all model weight

Dual Device U-Bracket Option: (2 side mounts, hardware, long bracket)	2.63 lb (1.19 kg)
Dual Device Surface Mount: (line bushing, not including end cap)	2.47 lb (1.12 kg)

Note: Refer to individual data sheets for additional information.

### ACCESSORIES

#### Description

#### Cable Entry Options and Adapters

E-Box Endcap with M20 Opening	<b>K859500805-02</b>
E-Box Endcap with M25 Opening	<b>K859500805-01</b>
E-Box Cover Assembly <sup>1</sup>	<b>K859501414</b>
Adapter, M20 Male to 1/2-inch Female NPT	<b>K231246A</b>
Adapter, M20 Male to 3/4-inch Female NPT	<b>K231247</b>

#### Indicator Ring and Legend Plate Kit

(Includes one (1) indicator ring, one (1) legend plate<sup>2</sup>, and associated hardware)

Black	<b>G-KIT-RP-BK</b>
Blue	<b>G-KIT-RP-B</b>
Green	<b>G-KIT-RP-G</b>
Magenta	<b>G-KIT-RP-M</b>
Red	<b>G-KIT-RP-R</b>
Yellow	<b>G-KIT-RP-Y</b>

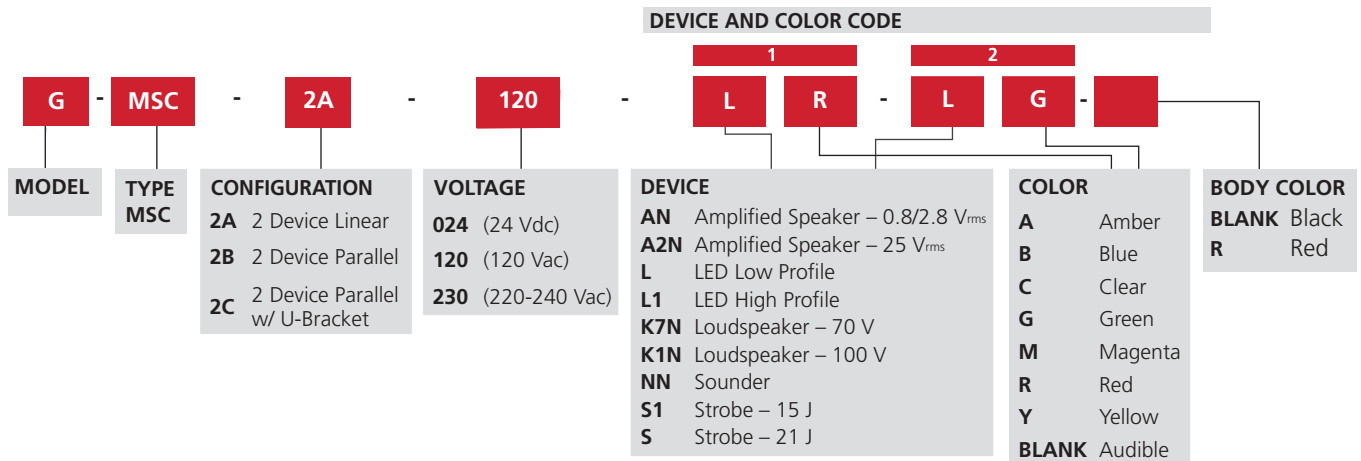
<sup>1</sup> Includes two terminal blocks, mounting plate, and retention hardware

<sup>2</sup> Recommended labels: BRADY #B-855 Toughwash labels or ULINE #S-16643 weather resistant



# Global Series® Hazardous Location Dual Signal (G-MSC-2)

## HOW TO ORDER



Patent No. 9,886,832 B2

Global Series is a registered trademark of Federal Signal Corporation.