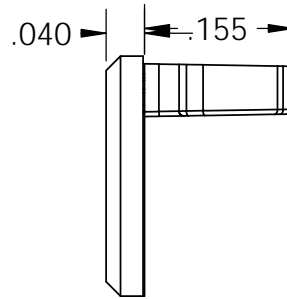
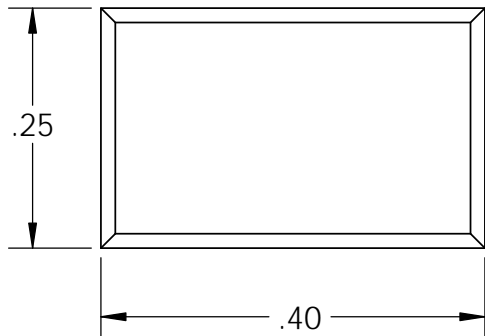
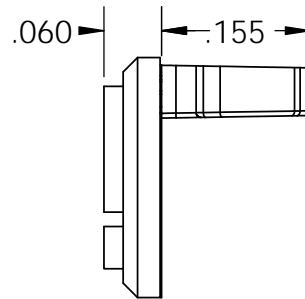
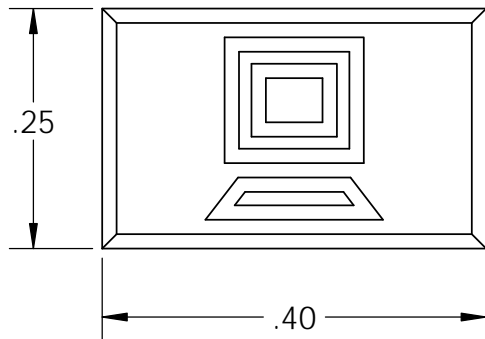


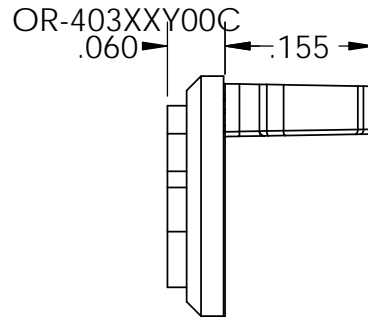
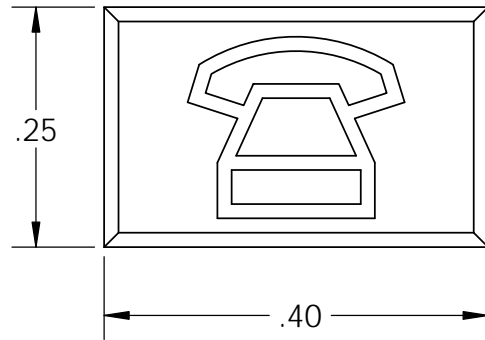
BLANK ICON P/N: 403XX500



BLANK ICON P/N: 403XX200



BLANK ICON P/N: 403XX100



P/N	PANTONE NO.
OR-40309X00	FOG WHITE
OR-40300X00	BLACK
OR-40321X00	LT BROWN
OR-40322X00	LT RED
OR-40324X00	LT YELLOW
OR-40325X00	LT GREEN
OR-40326X00	LT BLUE
OR-40327X00	PURPLE
OR-40328X00	LT GREY
OR-40336X00	DK BLUE
OR-40313X00	ELEC IVORY
OR-40323X00	LT ORANGE
OR-40342X00	DK RED
OR-40343X00	DK ORANGE
OR-40344X00	DK YELLOW
OR-40345X00	DK GREEN
OR-40368X00	WM LT GREY
OR-40378X00	WM DK GREY
OR-40388X00	CLOUD WHITE
OR-40399X00	WM IVORY

\*\*\* NOTICE \*\*\*  
 THIS DOCUMENT CONTAINS CONFIDENTIAL AND/OR PROPRIETARY INFORMATION INTENDED FOR USE ONLY BY THE INDIVIDUAL(S) PROVIDED. NEITHER THIS DOCUMENT, NOR ANY INFORMATION CONTAINED HEREIN, MAY BE COPIED, DISTRIBUTED, DISCLOSED TO ANY THIRD PARTY OR USED IN ANY MANNER OTHER THAN FOR WHICH IT HAS BEEN PROVIDED, WITHOUT THE PRIOR WRITTEN CONSENT OF ORTRONICS, INC. MANUFACTURING RELEASE, PRODUCT SPECIFICATIONS AND STANDARDS ARE SUBJECT TO CHANGE WITHOUT NOTICE.



125 EUGENE O'NEILL DRIVE  
 NEW LONDON, CT 06320  
 TEL: 860-445-3800  
 FAX: 860-405-2990  
 WWW.ORTRONICS.COM

TITLE  
 VOICE, DATA & BLANK ICONS 100 PACK

	NAME	DATE	SIZE	CAD FILE	DWG NO	REV
DWN	Dbogue	02/05/99	A	403XXY00C	OR-403XXY00C	03
CHK	C. COLLELO	05/19/06	SCALE 5:1		WEIGHT	SHEET 1 OF 1
APPR	M. MARTICH	05/19/06				