



LER Series



19" Enclosed Rack – Fully Welded, Standalone

Panel Space:	44, 40, 35, 24, 21, and 18U
Overall Depth:	32" [813], 27" [686], and 22" [559]
Overall Width:	23.06" [586]
Load Capacity:	500-3150 lbs. [227-1429 kg] – UL Listed (see chart)

FEATURES

MATERIAL: Fully-welded USA-certified steel 16-gauge frame with 14-ga. bottom reinforced at load-bearing junctions for robust support, strength equivalent to 11-ga. steel.

FINISH: Black-textured powder coat.

FRONT: Upper and lower vents. Nutserts for optional front door (left or right swing).

REAR: Knockout panels above and below rear door with combination EKO for conduit (1/2"–3/4" and 1"–1-1/2") and KO for wireless antennae (1/2"). Includes recessed rear door with vents and key lock (left or right swing) unless specified (see chart on pg.2).

SIDES: Welded side panels with top and bottom vents. KOs for ganging on 35U+ models.

CORNERS: Beveled edge on front and rear rack frame.

BOTTOM: Open, includes 10-32 threaded grounding stud, 3/8"-16 threaded T-nuts for optional leg levelers, and holes for anchor bolts (by others).

TOP:

- **Configurable tops** (select models, see series summary chart) feature a 7U or 12U opening with riveted 10-32 threaded rails on 19" EIA spacing.
- **Closed top** (select models, see series summary chart) features two rear vents. Vents accept optional single fan kids (FW1 and FDC1 Series, order separately).

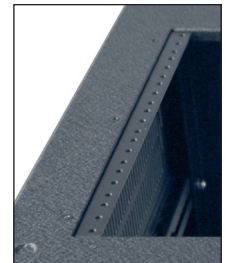
RACK RAILS (fully adjustable): 11-ga. steel 10-32 threaded rails on EIA spacing with bi-directional numbered RU increments (rails mount in either direction). Smooth-black finish. Clearance from front rail to outside frame (1.75"), from front rail to optional surface-mount door (2.50").

CABLE MANAGEMENT: Combination knockouts in top and bottom of rear frame.

HARDWARE: Black pilot point screws with captive washers (50).

COMPLIANCE: EIA/TIA Compliant; UL 2416 Listed in US and Canada; TAA Compliant; BAA Compliant

COUNTRY OF ORIGIN: USA



Threaded rails included in open top LER models.



Fully-adjustable front rails with printed RU increments.

OPTIONAL ACCESSORIES – LER SERIES

- Surface-mount front door with key lock: LFD Series (solid steel), LFD--FV Series (fully-vented), or LFD--P Series (plexiglass)
- Recessed rear door with key lock: LRD-44FV (fully-vented), or RCD Series (35-44U, vented w/bottom brush panel)
- Rack top kits: RTB Series (features cable brush panel), RTK series (features cable knockout panel)
- Mobile bases: LMB Series, or LMSB Series
- Additional pair of mounting rails: RRD Series
- Leg levelers: LL (set of 4)

A&E SPECIFICATIONS – LER SERIES

The EIA/TIA-compliant 19" floor rack shall be Lowell model LER-_____ with overall dimensions of _____"H x _____"D x 23.06"W; usable height of ____ rack units, and usable depth of _____. Rack construction shall be fully-welded USA-certified steel with 16-gauge frame and 14-gauge bottom reinforced at load-bearing junctions. Welded sides shall feature vents at top and bottom. The rack shall include a recessed rear door with vents and key lock, laser-cut knockout panels above and below door with 1/2" KO for wireless antennae, 1/2"-3/4" and 1"-1-1/2" EKO for conduit. The front shall feature vents along top and bottom, and provisions to accept an (optional) surface-mount front door with left or right hand swing. The top shall feature a (____U opening with riveted 10-32 threaded rails on 19" EIA spacing, or a steel top with two vents in rear). Rack bottom shall have an opening measuring ____"D x 19.94"W and include a grounding stud. All with black-textured powder-coat finish. Rack shall include ____ pair(s) of adjustable 11-gauge steel rails tapped 10-32 on 19" EIA spacing with smooth-black finish and numbered rack unit increments. The UL 2416 Listed rack shall be manufactured in the USA with a UL-Listed load capacity of _____lbs., and shall be Trade Agreement Act (TAA) and Buy American Act (BAA) compliant. Use chart to fill in blank information.

LER SERIES SUMMARY

Model No.	Rack Units	"A" Overall Depth	"B" Usable Depth	"C" Overall Height	"D" Usable Height	Overall Width	Top Opening	"E" - Bottom Opening Depth	"F" - Bottom Opening Width	Adj. Rails	UL Load Capacity	UL Listed
LER-1822 *	18 U	22.00 [559]	19.34 [491]	37.63 [956]	31.63 [803]	23.06 [586]	---	17.88 [454]	19.94 [506]	1 pr	500	Yes
LER-2122 *	21 U	22.00 [559]	19.34 [491]	42.88 [1089]	36.75 [933]	23.06 [586]	---	17.88 [454]	19.94 [506]	1 pr	500	Yes
LER-2422	24 U	22.00 [559]	19.34 [491]	48.13 [1222]	42.13 [1070]	23.06 [586]	---	17.88 [454]	19.94 [506]	1 pr	800	Yes
LER-3522	35 U	22.00 [559]	19.34 [491]	67.38 [1711]	61.38 [1559]	23.06 [586]	7 U	17.88 [454]	19.94 [506]	1 pr	3150	Yes
LER-4022	40 U	22.00 [559]	19.34 [491]	76.13 [1934]	70.13 [1781]	23.06 [586]	7 U	17.88 [454]	19.94 [506]	1 pr	3150	Yes
LER-4422	44 U	22.00 [559]	19.34 [491]	83.13 [2111]	77.13 [1959]	23.06 [586]	7 U	17.88 [454]	19.94 [506]	1 pr	3150	Yes
LER-1827 ◊*	18 U	27.00 [686]	24.34 [618]	37.63 [956]	31.63 [803]	23.06 [586]	---	22.88 [581]	19.94 [506]	1 pr	500	Yes
LER-2127 ◊*	21 U	27.00 [686]	24.34 [618]	42.88 [1089]	36.75 [933]	23.06 [586]	---	22.88 [581]	19.94 [506]	1 pr	500	Yes
LER-2427 ◊	24 U	27.00 [686]	24.34 [618]	48.13 [1222]	42.13 [1070]	23.06 [586]	---	22.88 [581]	19.94 [506]	1 pr	800	Yes
LER-3527 ◊	35 U	27.00 [686]	24.34 [618]	67.38 [1711]	61.38 [1559]	23.06 [586]	12 U	22.88 [581]	19.94 [506]	1 pr	3150	Yes
LER-4027 ◊	40 U	27.00 [686]	24.34 [618]	76.13 [1934]	70.13 [1781]	23.06 [586]	12 U	22.88 [581]	19.94 [506]	1 pr	3150	Yes
LER-4427 ◊	44 U	27.00 [686]	24.34 [618]	83.13 [2111]	77.13 [1959]	23.06 [586]	12 U	22.88 [581]	19.94 [506]	1 pr	3150	Yes
LER-2432	24 U	32.00 [813]	29.34 [745]	48.13 [1222]	42.13 [1070]	23.06 [586]	12 U	27.88 [708]	19.94 [506]	2 pr	800	Yes
LER-3532	35 U	32.00 [813]	29.34 [745]	67.38 [1711]	61.38 [1559]	23.06 [586]	12 U	27.88 [708]	19.94 [506]	2 pr	3150	Yes
LER-4032	40 U	32.00 [813]	29.34 [745]	76.13 [1934]	70.13 [1781]	23.06 [586]	12 U	27.88 [708]	19.94 [506]	2 pr	3150	Yes
LER-4432	44 U	32.00 [813]	29.34 [745]	83.13 [2111]	77.13 [1959]	23.06 [586]	12 U	27.88 [708]	19.94 [506]	2 pr	3150	Yes

Rack dimensions (rounded) – inches and [mm]; 1U = 1.75"; * May experience extended lead times, call for availability. ◊ Available without rear door — add "-LRD" suffix to model number (ex. LER-2427-LRD).



LSER Series

19" Enclosed Rack –
 Seismic Certified, Fully Welded, Standalone, Gangable

Panel Space:	44U
Overall Depth:	32" [813], and 27" [686]
Overall Width:	23.06" [586]
Load Capacity:	3150 lbs. [1429 kg] – UL Listed (see chart)
Seismic Load Capacity:	Ip = 1.0 : 1200 lbs.; Ip = 1.5 : 900 lbs.

FEATURES

MATERIAL: Fully-welded USA-certified steel 16-gauge frame with 14-ga. bottom reinforced at load-bearing junctions for robust support, strength equivalent to 11-ga. steel.

FINISH: Black-textured powder coat.

FRONT: Upper and lower vents. Nutserts for optional front door (left or right swing).

REAR: Knockout panels above and below rear door with combination EKO for conduit (1/2"–3/4" and 1"–1-1/2") and KO for wireless antennae (1/2"). Includes recessed rear door with vents and key lock (left or right swing).

SIDES: Welded side panels with top and bottom vents. KOs for ganging.

CORNERS: Beveled edge on front and rear rack frame.

BOTTOM: Open, includes welded bracket in each corner with holes for anchor bolts (by others). 10-32 threaded grounding stud,

CONFIGURABLE TOP: Open top features a 12U opening with riveted 10-32 threaded rails on 19" EIA spacing.

RACK RAILS (fully adjustable): 11-ga. steel 10-32 threaded rails on EIA spacing with bi-directional numbered RU increments (rails mount in either direction). Smooth-black finish. Clearance from front rail to outside frame (1.75"), from front rail to optional surface-mount door (2.50").

CABLE MANAGEMENT: Combination knockouts in top and bottom of rear frame.

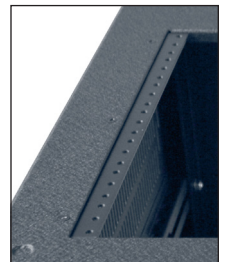
HARDWARE: Black pilot point screws with captive washers (50).

COMPLIANCE: EIA/TIA Compliant; UL 2416 Listed in US and Canada; TAA Compliant; BAA Compliant; Ships with PE Certified documentation.

SEISMIC CERTIFICATION: Professional Engineer (PE) certified* to meet or exceed requirements for Category 1 (Ip = 1.5, Life Safety/Essential System) and Category 2 (Ip = 1.0, NOT identified as a Life Safety/Essential System) as specified in:

- International Building Code: IBC 2009, Sect. 1613
- California Building Code: CBC 2010, Sect. 1613
- California Office of Statewide Health Planning and Development: OSHPD 2010

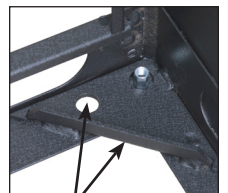
* Seismic certified when anchored in accordance with IBC/CBC/OSHPD seismic summary and installation manuals available for download at Lowellmfg.com.



Threaded rails included in open top LSER models.



Fully-adjustable front rails with printed RU increments.



Welded bracket, and anchor holes in seismic rack base.

OPTIONAL ACCESSORIES — LSER SERIES

- Surface-mount front door with key lock: LFD-44 (solid steel), LFD-44FV (fully-vented), or LFD-44P (plexiglass)
- Recessed rear door with key lock: LRD-44FV (fully-vented), or RDC-44 (vented w/brush panel)
- Rack top kits: RTB Series (features cable brush panel), RTK series (features cable knockout panel)
- Additional pair of mounting rails: RRD Series

NOTE: Seismic racks and cabinets will not accept a mobile or stationary base.

A&E SPECIFICATIONS — LSER SERIES

The EIA/TIA-compliant 19" floor rack shall be Lowell model LSER-____ with overall dimensions of 83.13"H x ____"D x 23.06"W, usable height of 44 rack units, and usable depth of ____". Rack construction shall be fully-welded USA-certified steel with 16-gauge frame and 14-gauge bottom reinforced at load-bearing junctions, all with black-textured powder-coat finish. Welded sides shall feature vents at top and bottom. The rack shall include a recessed rear door with vents and key lock, laser-cut knockout panels above and below door with 1/2"-3/4" and 1"-1-1/2" EKO for conduit, and 1/2" KO for wireless antennae above door. The front shall feature vents along top and bottom, and provisions to accept an (optional) surface-mount door with left or right hand swing. The top shall feature a 12U opening with riveted 10-32 threaded rails on 19" EIA spacing. The bottom shall have an opening measuring ____"x 19.94", corner weldments, and a grounding stud. The rack shall include ____ pair(s) adjustable 11-gauge steel rails tapped 10-32 on 19" EIA spacing with smooth-black finish and numbered rack unit increments. The UL2416-Listed rack shall be manufactured in the USA with a UL Listed load capacity of 3150 lbs., and shall be Trade Agreement Act (TAA) and Buy American Act (BAA) compliant.

The rack shall be PE certified to meet or exceed requirements for Category 1 (Ip=1.5, Life Safety/Essential System) and Category 2 (Ip=1.0, NOT identified as a Life Safety/Essential System) as specified in IBC 2009 Sect. 1613, CBC 2010 Sect. 1613, and OSHPD 2010, with seismic-certified load capacity of 1200 lbs. (Ip=1.0) and 900 lbs. (Ip =1.5). Use chart to fill in blank information.

**Seismic certified when anchored in accordance with IBC/CBC/OSHPD seismic summary and installation manuals available for download at Lowellmfg.com.*

LSER SERIES SUMMARY

Model No.	Rack Units	"A" Overall Depth	"B" Usable Depth	"C" Overall Height	"D" Usable Height	Overall Width	Top Opening	"E" - Bottom Opening Depth	"F" - Bottom Opening Width	Adj. Rails	Seismic Load Cap.*	UL Load Capacity	UL Listed
LSER-4427	44 U	27.00 [686]	24.34 [618]	83.13 [2111]	77.13 [1959]	23.06 [586]	12 U	22.88 [581]	19.94 [506]	1 pr	900-1200	3150	Yes
LSER-4432	44 U	32.00 [813]	29.34 [745]	83.13 [2111]	77.13 [1959]	23.06 [586]	12 U	27.88 [708]	19.94 [506]	2 pr	900-1200	3150	Yes

*Rack dimensions (rounded) – inches and [mm]; 1U = 1.75"; * Seismic certified load capacity, Ip = 1.0 : 1200 lbs.; Ip = 1.5 : 900 lbs.*

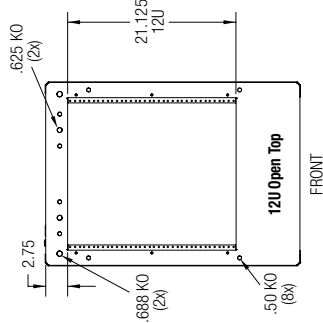
TECHNICAL DRAWINGS

Dimensions are inches and [mm] unless stated otherwise.

TOP VIEWS

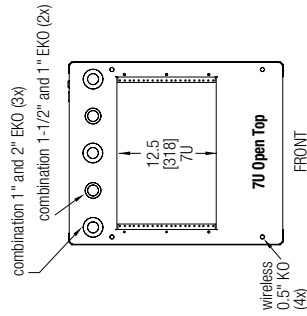
12U Open Top Models

- LER-3527 LSER-4427
- LER-4027 LSER-4432
- LER-4427
- LER-2432
- LER-3532
- LER-4032
- LER-4432



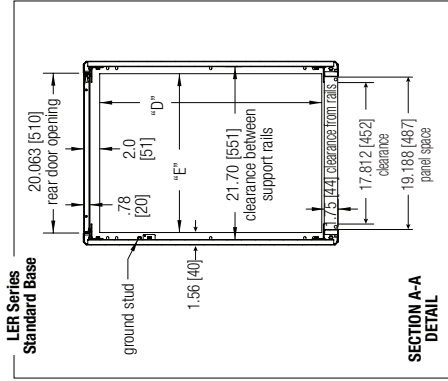
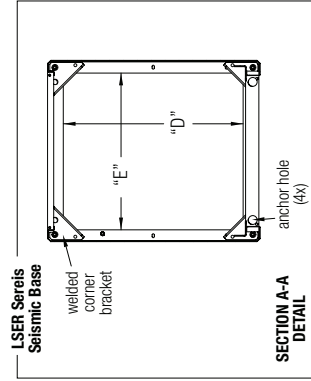
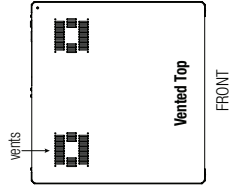
7U Open Top Models

- LER-3522
- LER-4022
- LER-4422



Vented Top Models

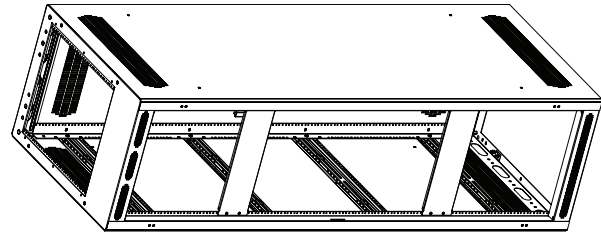
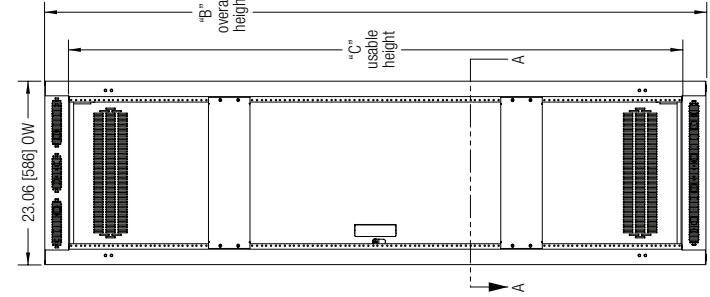
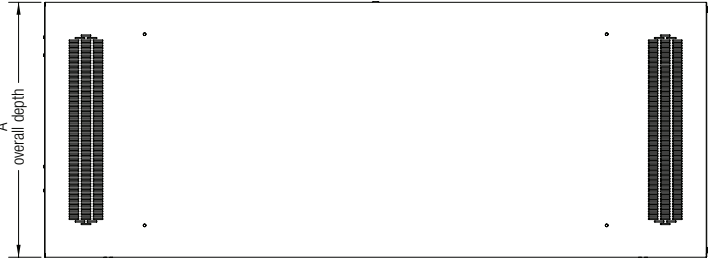
- LER-1822
- LER-2122
- LER-2422
- LER-1827
- LER-2127
- LER-2427



1,984 & 1,375 KO (8) PLUS

875 & 1,125 KO (6) PLUS

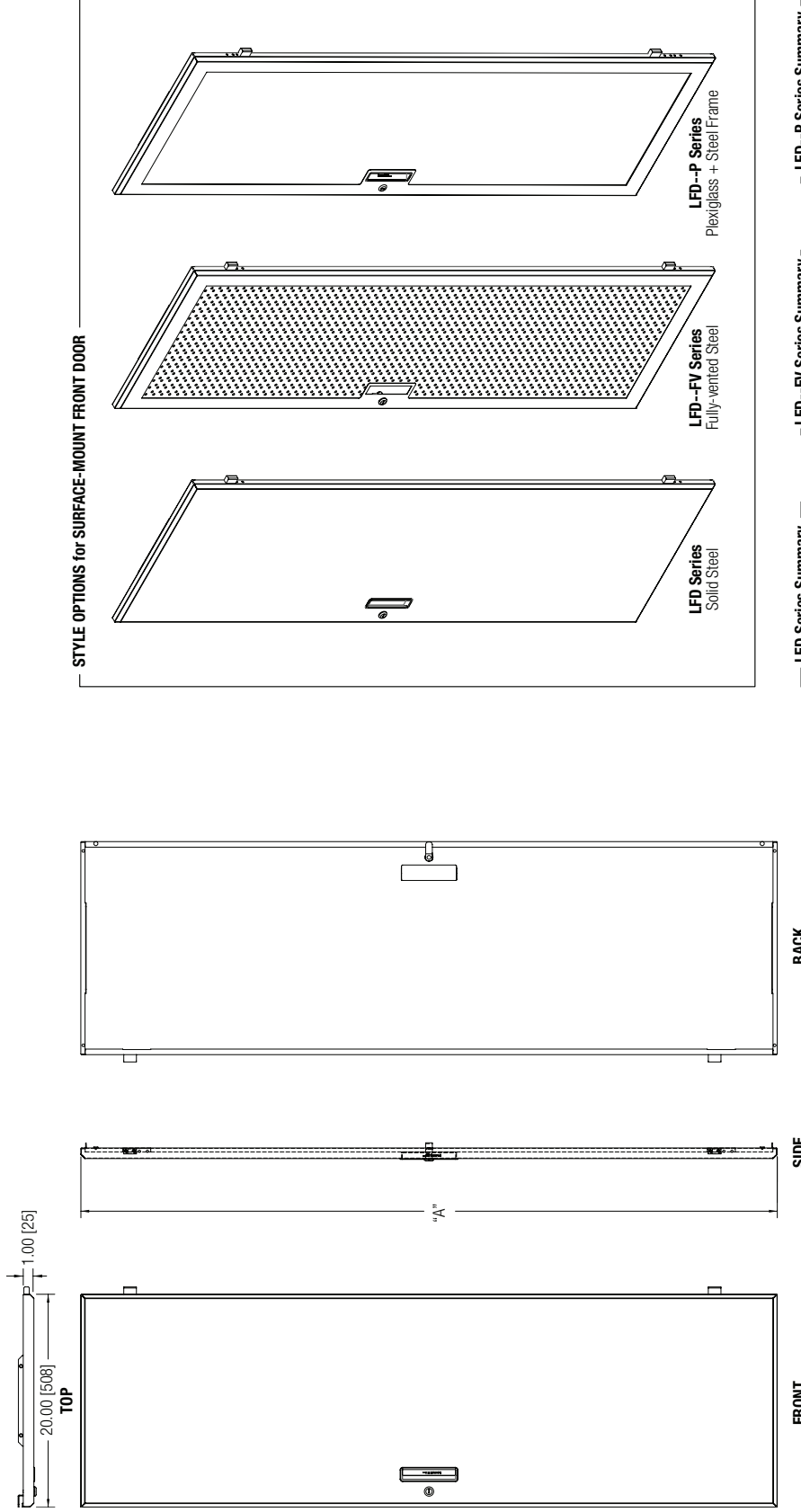
50 KO (4) PLUS



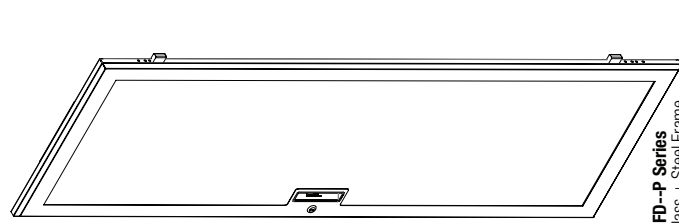
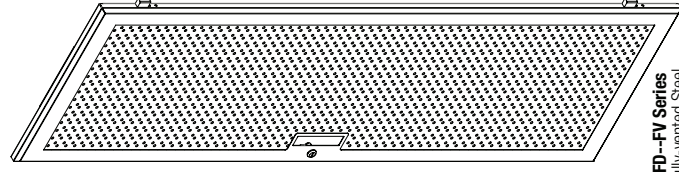
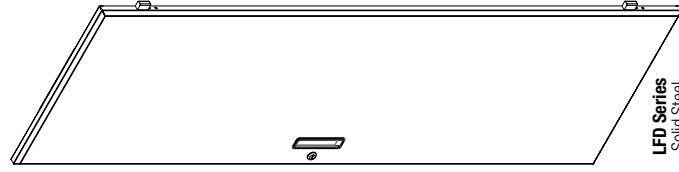
SERIES SPECIFIC ACCESSORIES — SURFACE-MOUNT FRONT DOORS

Dimensions are inches and [mm] unless stated otherwise.

LER Series - Enclosed Racks, pg 1
 LSER Series - Seismic Certified Racks, pg 3
 LER/LSER Series - Technical Drawings, pg 5



STYLE OPTIONS for SURFACE-MOUNT FRONT DOOR



LFD Series Summary "A" = RU

Model No.	"A" = RU
LFD-7	7 U
LFD-10	10 U
LFD-12	12 U
LFD-14	14 U
LFD-16	16 U
LFD-18	18 U
LFD-21	21 U
LFD-24	24 U
LFD-35	35 U
LFD-37	37 U
LFD-40	40 U
LFD-44	44 U
LFD-54	54 U

LFD-FV Series Summary "A" = RU

Model No.	"A" = RU
LFD-7FV	7 U
LFD-10FV	10 U
LFD-12FV	12 U
LFD-14FV	14 U
LFD-16FV	16 U
LFD-18FV	18 U
LFD-21FV	21 U
LFD-24FV	24 U
LFD-35FV	35 U
LFD-37FV	37 U
LFD-40FV	40 U
LFD-44FV	44 U

LFD-P Series Summary "A" = RU

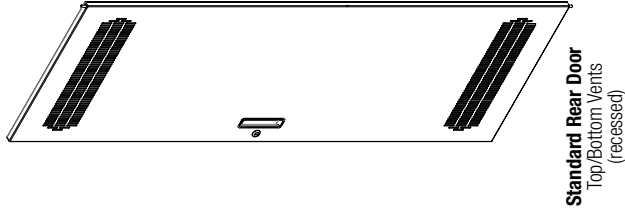
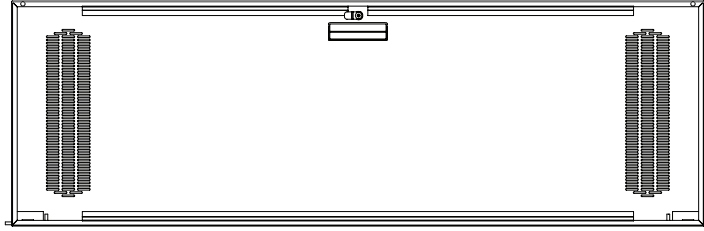
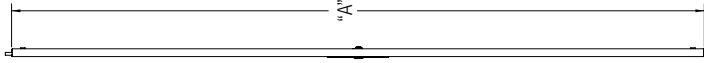
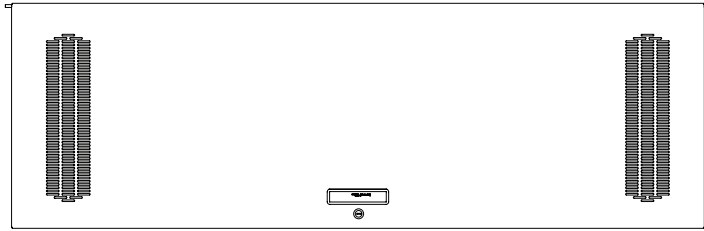
Model No.	"A" = RU
LFD-7P	7 U
LFD-10P	10 U
LFD-12P	12 U
LFD-14P	14 U
LFD-16P	16 U
LFD-18P	18 U
LFD-21P	21 U
LFD-24P	24 U
LFD-35P	35 U
LFD-37P	37 U
LFD-40P	40 U
LFD-44P	44 U

▶ = accessory fits LER / LSER Series models

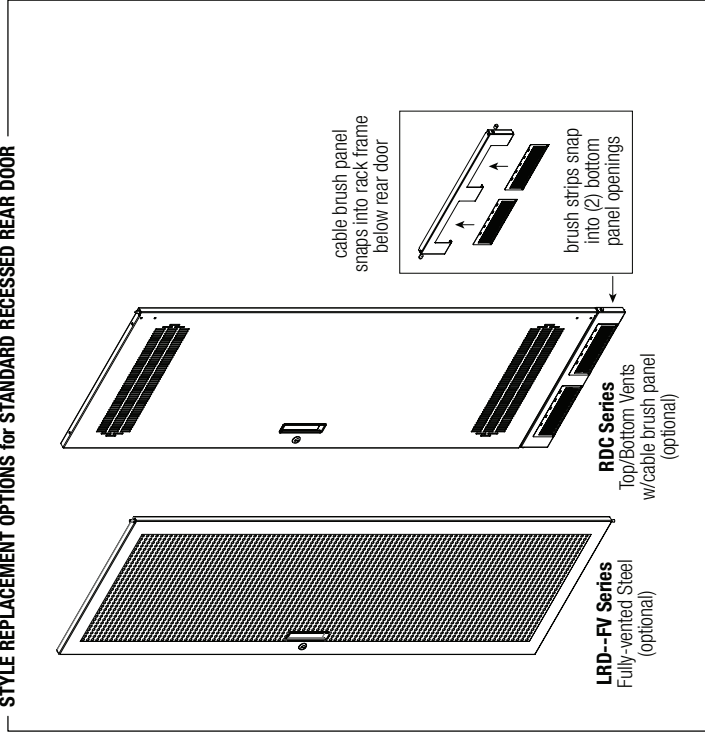


SERIES SPECIFIC ACCESSORIES — RECESSED REAR DOORS

Dimensions are inches and [mm] unless stated otherwise.



STYLE REPLACEMENT OPTIONS for STANDARD RECESSED REAR DOOR



Standard Rear Door

"A" = RU
Rack Height

"B" = Depth
.688 [18]

Standard rear door included
with most floor racks

LRD--44FV Summary

Model No. "A" = RU "B" = Depth
▶ LRD-44FV 44 U .688 [18]

RDC Series Summary

Model No. "A" = RU "B" = Depth
▶ RDC-35 35 U .743 [19]
▶ RDC-40 40 U .743 [19]
▶ RDC-44 44 U .743 [19]

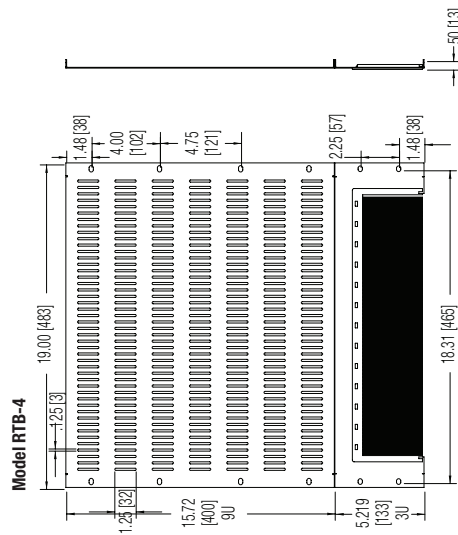
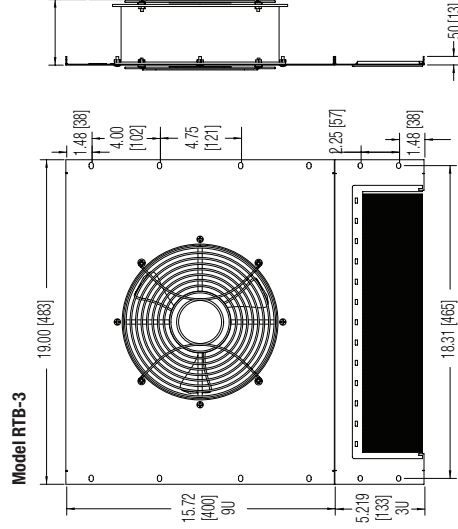
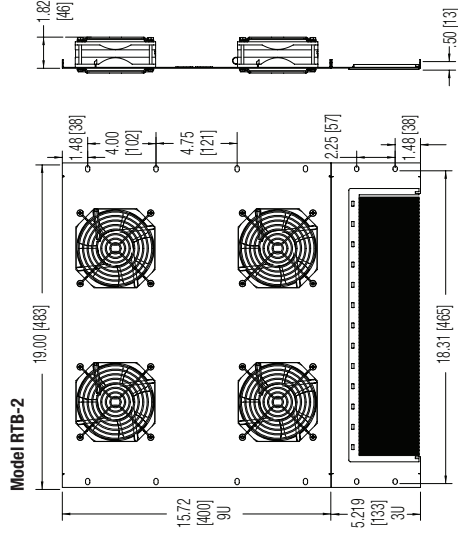
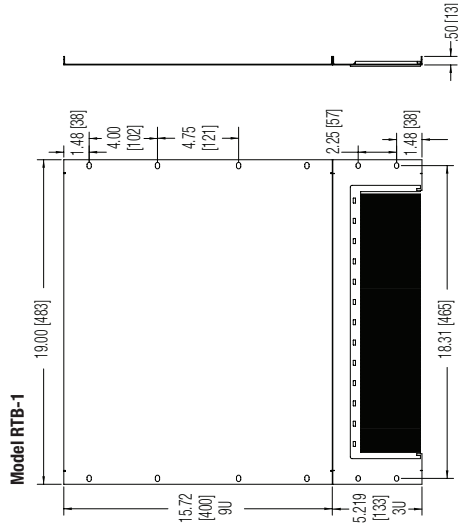
▶ = accessory fits LER / LSER Series models



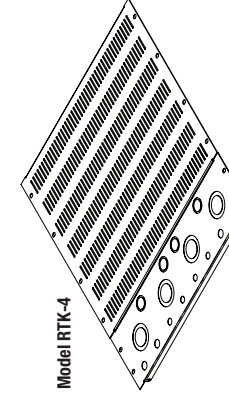
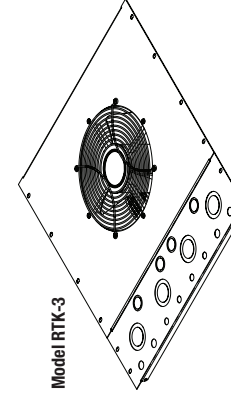
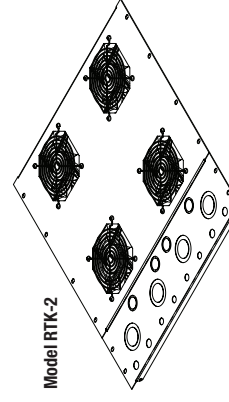
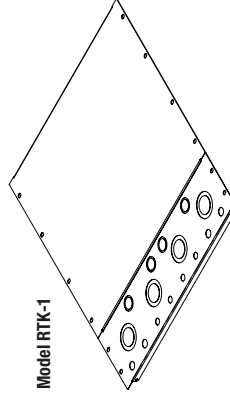
Lowell strives to provide accurate information while reserving the right to change specifications and/or improve manufacturing methods without prior notification.
©2025 Lowell Manufacturing Co., 100 Ingram Dr., Pacific MO 63069, USA / tel. 800.325.9660 / tel. 636-257-3400 / www.lowellmfg.com

SERIES SPECIFIC ACCESSORIES — RACK TOP KITS (for 12U open top models)

RTB Series
Rack tops with 3U cable brush panel and choice of 9U panel



RTK Series
Rack tops with 3U cable knockout panel and choice of 9U panel



RTB Series Summary

Model No.	Description
RTB-1	3U brush panel with 9U solid steel panel
RTB-2	3U brush panel with 9U four fan panel
RTB-3	3U brush panel with 9U turbo fan panel
RTB-4	3U brush panel with 9U vented steel panel

RTK Series Summary

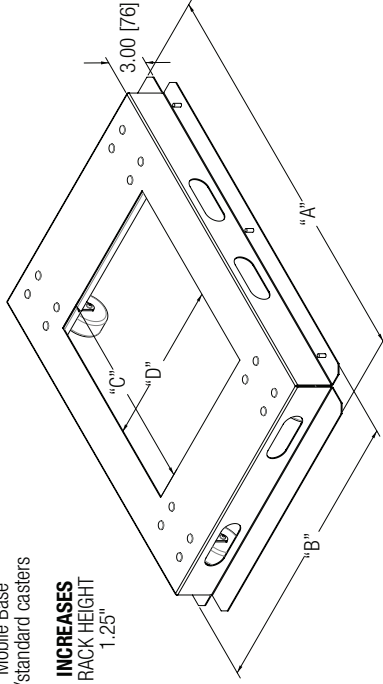
Model No.	Description
RTK-1	3U knockout panel with 9U solid steel panel
RTK-2	3U knockout panel with 9U four fan panel
RTK-3	3U knockout panel with 9U turbo fan panel
RTK-4	3U knockout panel with 9U vented steel panel

SERIES SPECIFIC ACCESSORIES — MOBILE BASES

Dimensions are inches and [mm] unless stated otherwise.

LMB Series
Mobile Base
w/standard casters

INCREASES
RACK HEIGHT
1.25"



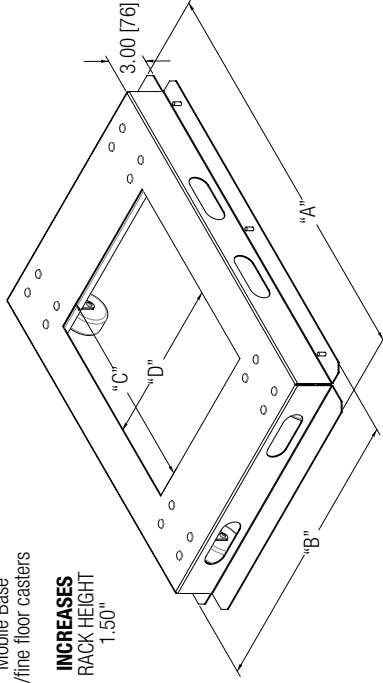
LMB Series Summary

Model No.	Rack Depth	"A" Overall Depth	"B" Overall Width	"C" Opening Depth	"D" Opening Width	Total Caster Load Rating
▶ LMB-27	27	26.75 [679]	22.81 [579]	12.97 [329]	11 [279]	1400 lbs.
▶ LMB-32	32	31.75 [806]	22.81 [579]	12.97 [329]	16 [406]	1400 lbs.
LMB-36	36	35.75 [908]	22.81 [579]	12.97 [329]	20 [508]	1400 lbs.
LMB-42	42	41.75 [1060]	22.81 [579]	12.97 [329]	26 [660]	1400 lbs.

DO NOT USE WITH SEISMIC CERTIFIED RACKS

LMB--F Series
Mobile Base
w/fine floor casters

INCREASES
RACK HEIGHT
1.50"

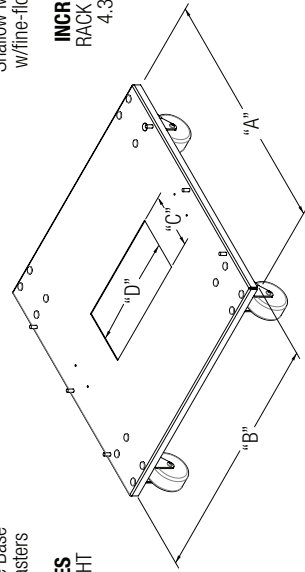


LMB--F Series Summary

Model No.	Rack Depth	"A" Overall Depth	"B" Overall Width	"C" Opening Depth	"D" Opening Width	Total Caster Load Rating
▶ LMB-27F	27	26.75 [679]	22.81 [579]	12.97 [329]	11 [279]	800 lbs.
▶ LMB-32F	32	31.75 [806]	22.81 [579]	12.97 [329]	16 [406]	800 lbs.
LMB-36F	36	35.75 [908]	22.81 [579]	12.97 [329]	20 [508]	800 lbs.

LMSB Series
Shallow Mobile Base
w/standard casters

INCREASES
RACK HEIGHT
4.075"



LMSB--FL Series
Shallow Mobile Base
w/fine-floor casters

INCREASES
RACK HEIGHT
4.315"

LMSB(-FL) Series Summary

Model No.	Rack Depth	"A" Overall Depth	"B" Overall Width	"C" Opening Depth	"D" Opening Width	Total Caster Load Rating
▶ LMSB-22	22	21.88 [556]	23.31 [567]	5 [127]	10 [254]	1400 lbs.
▶ LMSB-22FL*	22	21.88 [556]	23.31 [567]	5 [127]	10 [254]	800 lbs.

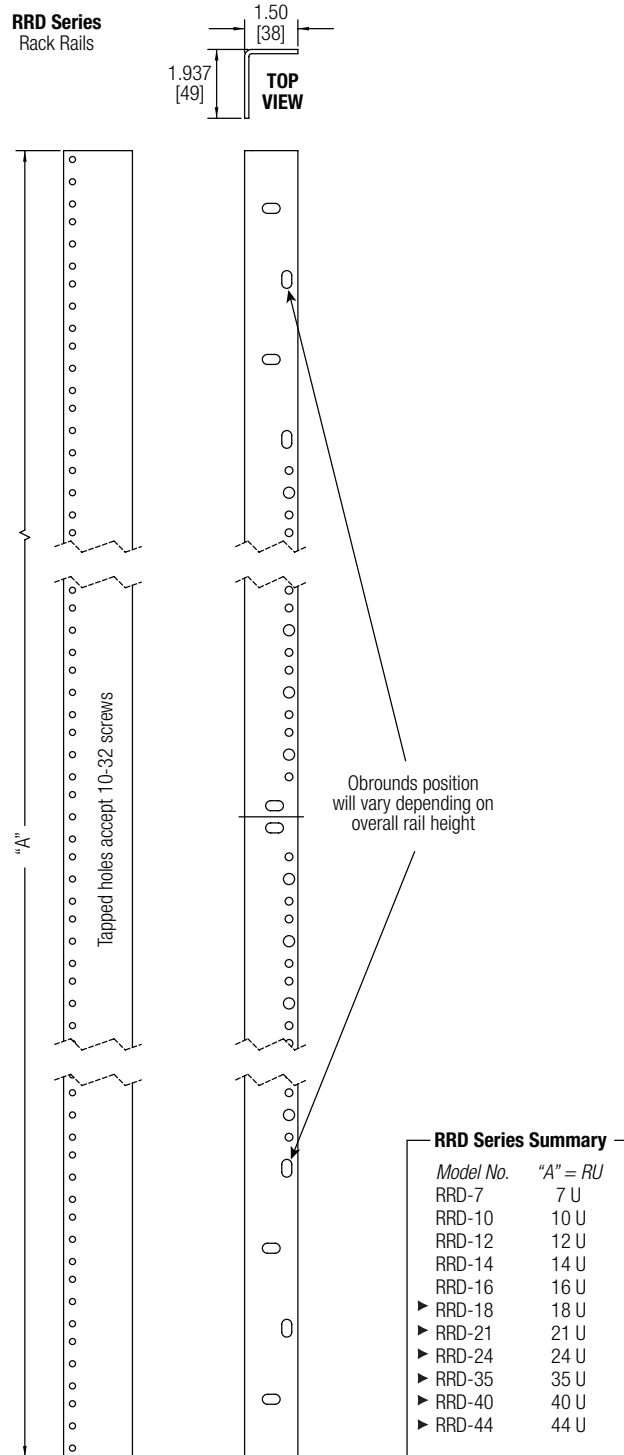
*FL = Fine-floor casters

▶ = accessory fits LER / LSER Series models



Lowell strives to provide accurate information while reserving the right to change specifications and/or improve manufacturing methods without prior notification.
©2025 Lowell Manufacturing Co., 100 Integram Dr., Pacific MO 63069, USA / tel. 800.325.9660 / tel. 636-257-3400 / www.lowellimg.com

SERIES SPECIFIC ACCESSORIES — ADDITIONAL RACK RAILS



▶ = accessory fits LER / LSER Series models