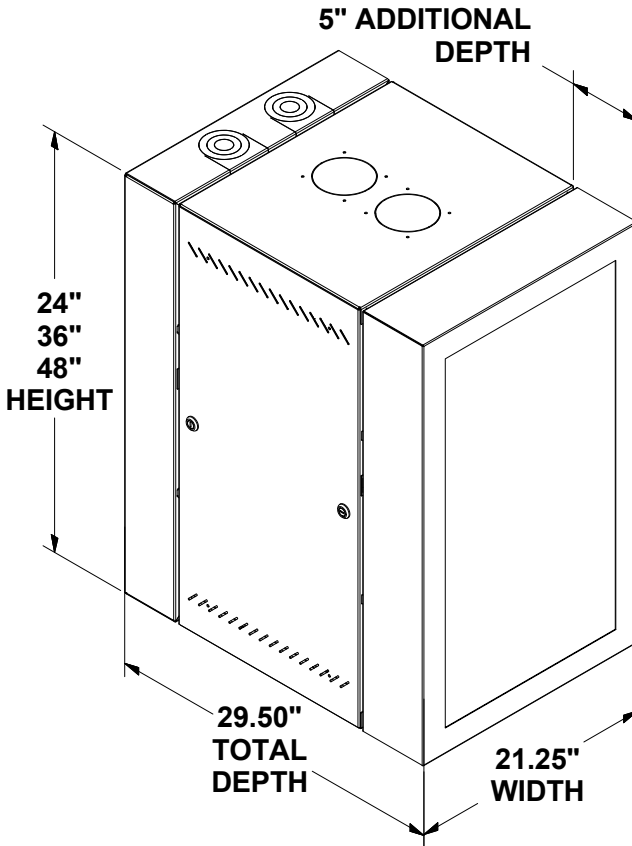




24WMB-02, 36WMB-02, & 48WMB-02  
Wall Mount Bubble Door

## Installation Instructions



GreatCabinets.com

1.866.879.4522

# WALL MOUNT BUBBLE DOORS

## PREFACE

Bubble Doors, for installation on Great Lakes standard WM (wall mount) enclosures are an aftermarket accessory, engineered to provide an additional 5" of depth to the front of the enclosure.

Bubble Doors are aftermarket accessories available for the GL24WM (24WMB-02), the GL36WM (36WMB-02) and the GL48WM (48WMB-02). Each Bubble Door is designed to replace a standard door originally shipped with associated wall mount enclosure. Each door ships with a minimal number of door insert retainers secured with #10-32 acorn nuts, and a hardware pack containing an additional number of #10-32 acorn nuts and #10-32 screws to attach the new bubble door to the existing enclosure frame. The exact number of #10-32 acorn nuts and screws included in each hardware pack will be appropriate for the specific size of each bubble door.

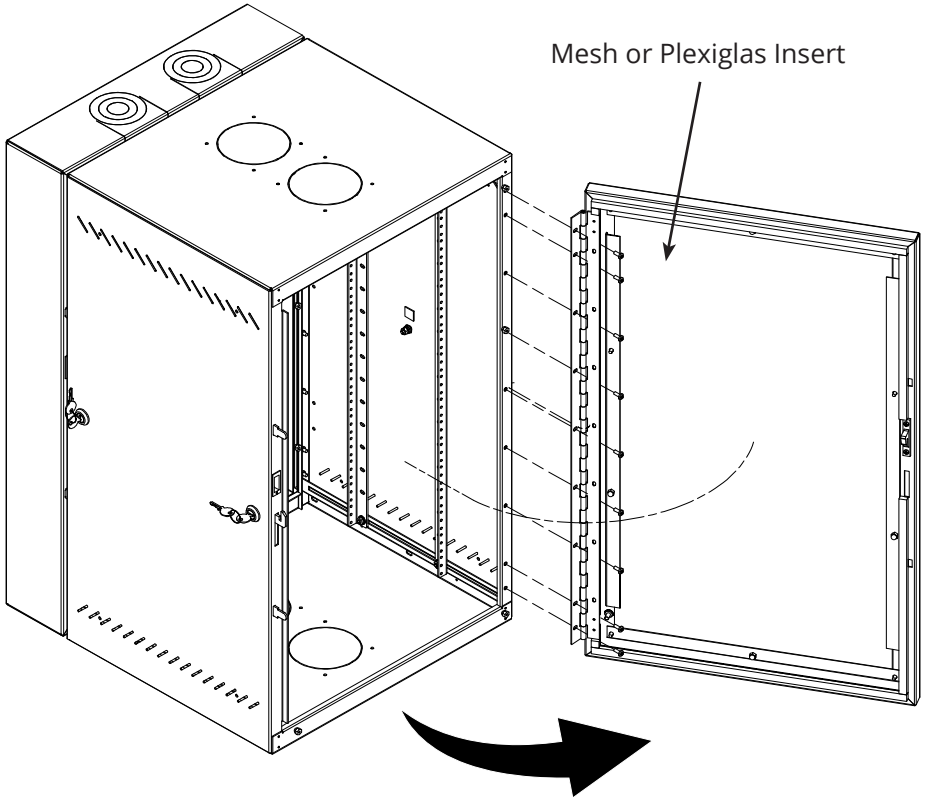
It is important to note that the bubble door does not come with an insert; the mesh or plexiglas insert originally shipped with the standard door will be removed and installed in the bubble door, via the instructions to follow.

Also included is a copy of the full installation instructions for Great Lakes Wall Mount Enclosures. Please refer to and follow all safety considerations and warnings and guidelines when receiving and unpacking the enclosure, when physically mounting the enclosure, when installing any equipment within the enclosure, when grounding the equipment within the enclosure and when grounding each enclosure individually to the dedicated branch circuit ground.

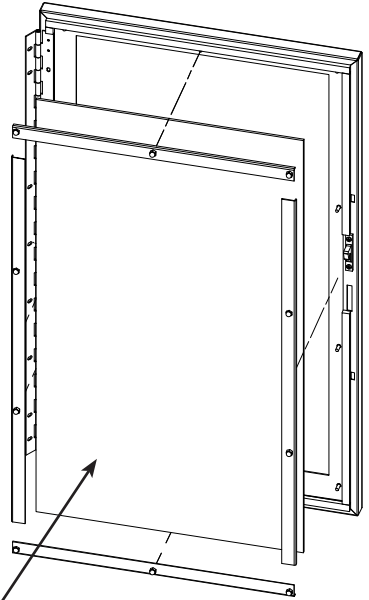
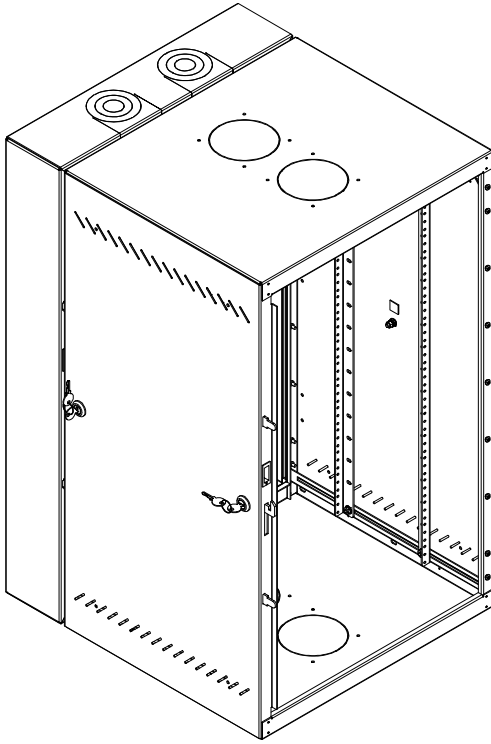
The [Wall Mount Installation Instructions](#) may also be found on our website.

# INSTALLATION

1. Open the wall mount door and remove the standard door by removing the #10-32 screws which secure the standard door to the enclosure frame.

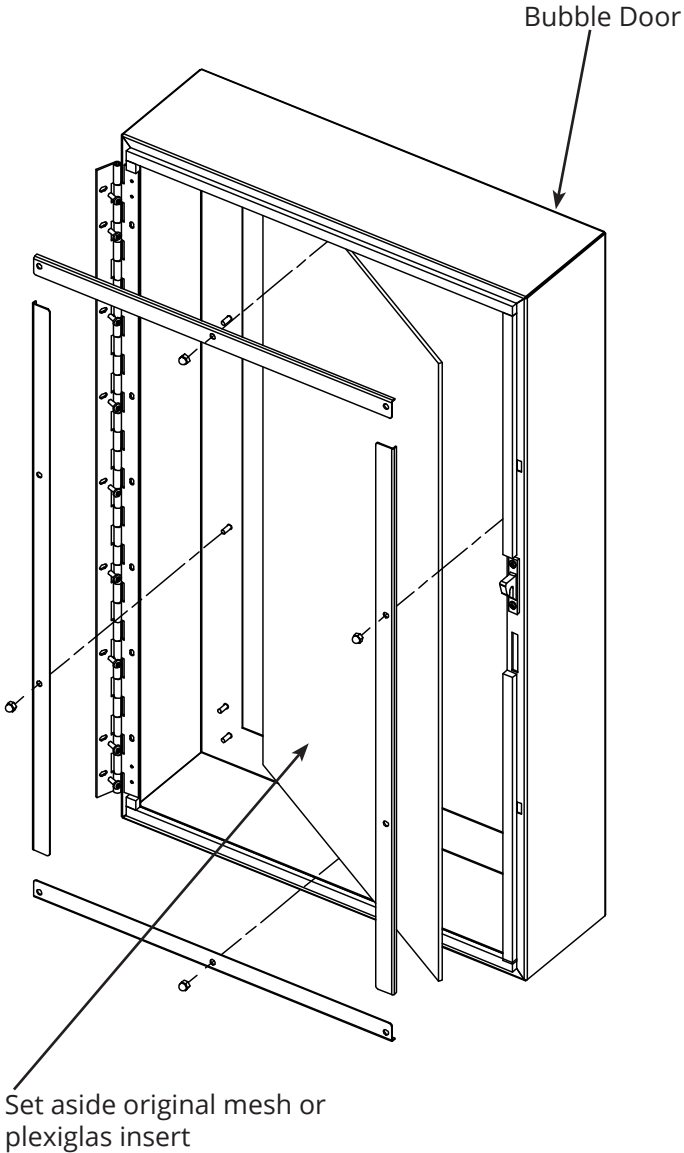


**2.** The insert (Mesh or Plexiglas) from the standard door will be the only component transferred for installation in the bubble door. Remove the #10-32 acorn nuts from the four retainers holding the insert in-place. Remove the retainers and set aside the mesh/Plexiglas insert to be installed in the bubble door frame.

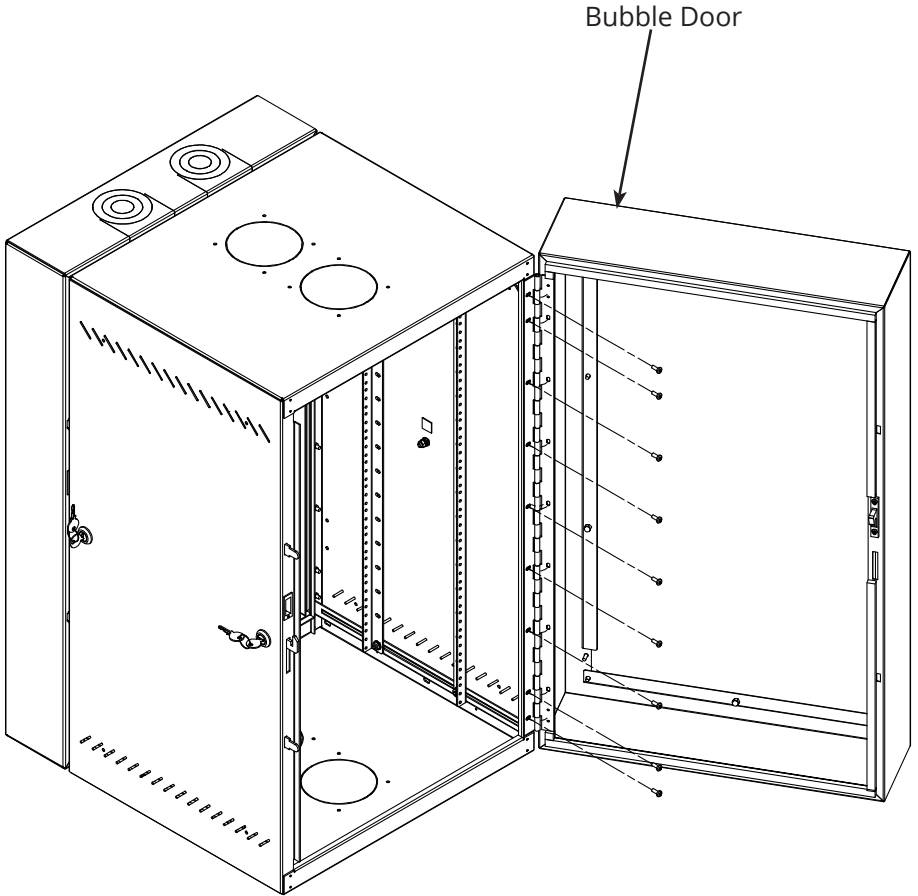


Set aside original mesh or plexiglas insert

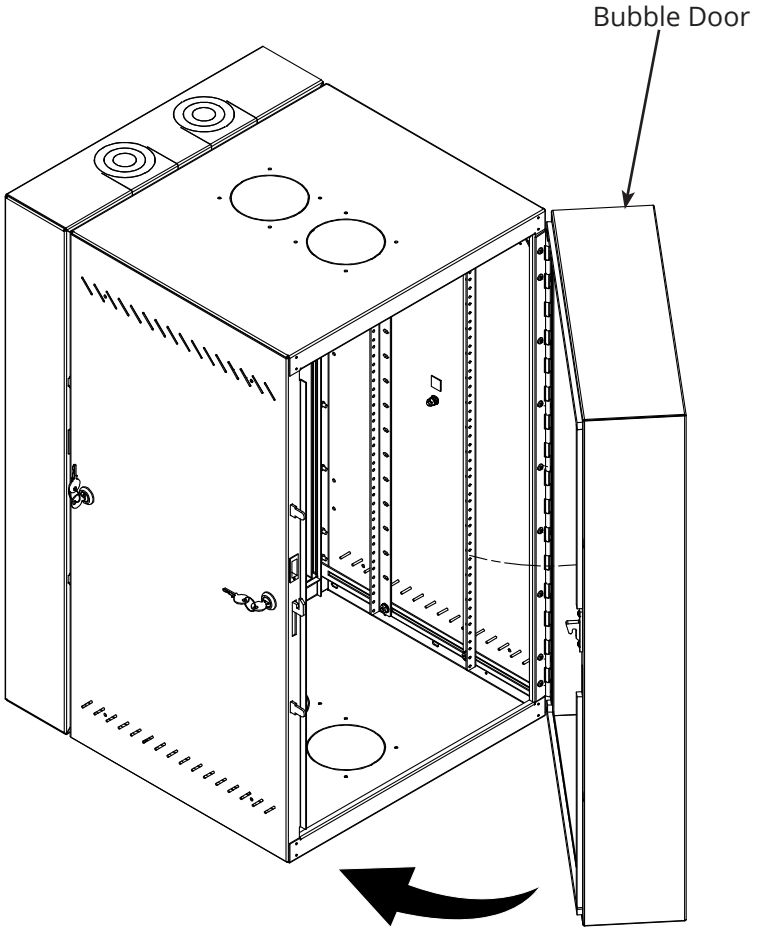
**3.** Remove the #10-32 acorn nuts from the four retainers in the bubble door frame. Remove the retainers from the frame, taking note of their orientation. Place the mesh/Plexiglas insert into the bubble door frame and install the retainers in the same manner as they were prior to removal. Secure the retainers to the door frame using the #10-32 acorn nuts as well as the additional acorn nuts which may be found in the hardware pack.



4. Ensure proper alignment for installation and then secure the new bubble door to the enclosure frame using the appropriate number of #10-32 screws which may be found in the hardware bag.



**5.** Open and close the bubble door to ensure proper alignment, fit and function. Lock and unlock the assembled enclosure to verify proper operation of the locking mechanism.





Thank you  
for your  
business!



ETSI Associate Member