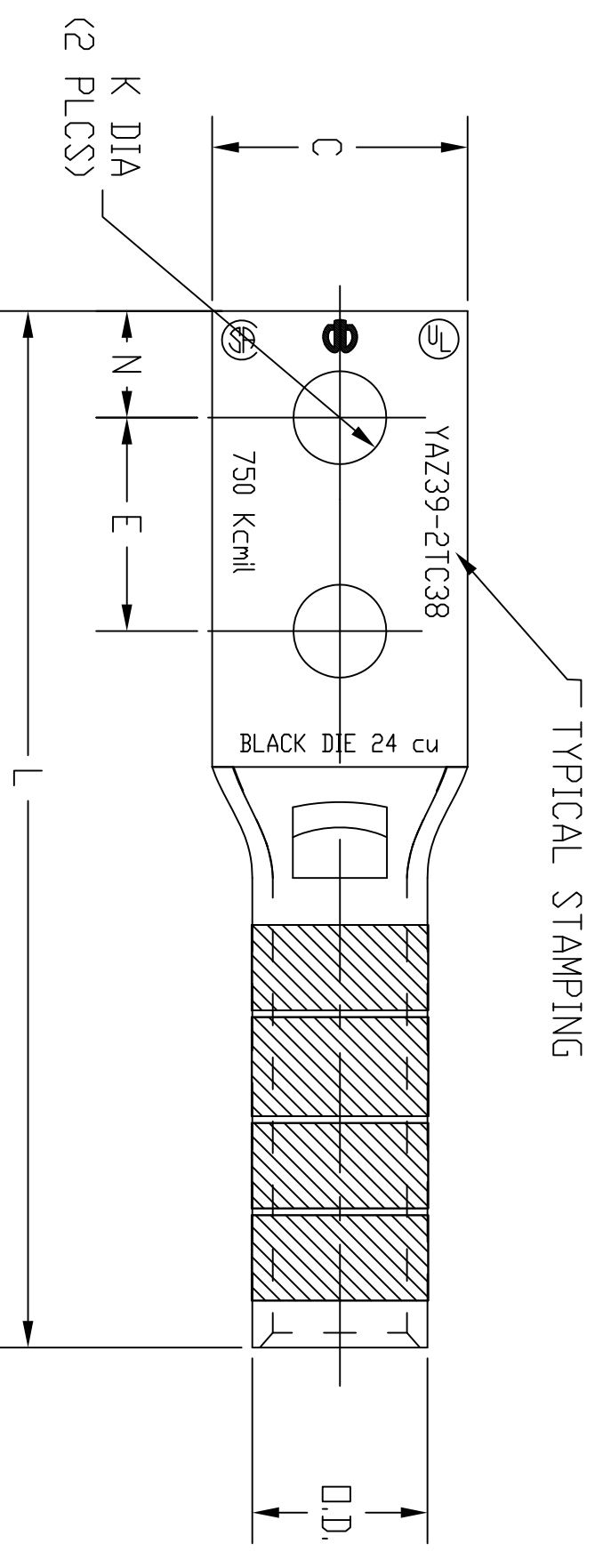
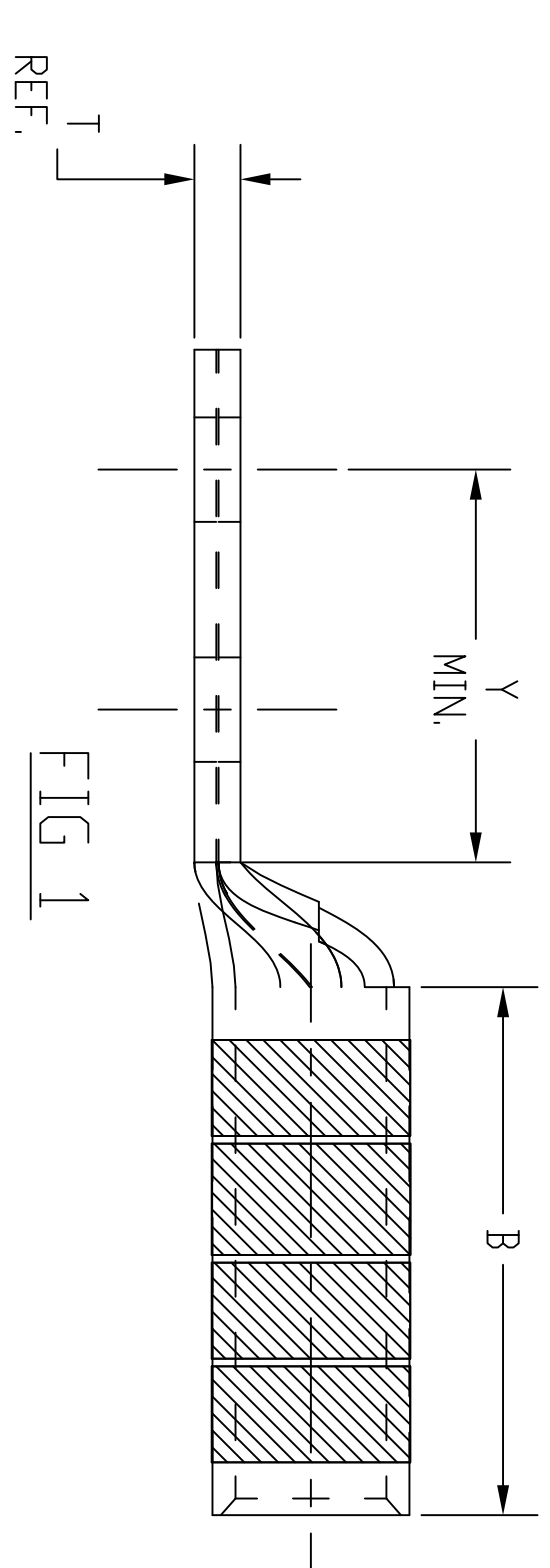


8	7	6	5	4	3	2	1				
CATALOG NO.	CONDUCTOR CODE (AWG)	BOLT SIZE	B	C	E	K	L	N	DD	T (REF)	Y MIN.
HGBL750DB	750Kcmil	3/8 [M10]	2.88 [73]	1.91 [49]	1.00[25]	.40 [10]	5.82 [148]	.50 [13]	1.30 [33]	.27 [7]	1.53 [39]



- NOTES:
1. MATERIAL: COPPER TUBING.
  2. FINISH: TIN PLATED
  3. INSTALLATION TOOLING:  
MECHANICAL DIE: HW39VT  
HYDRAULIC DIE: HU39RT  
WIRE STRIP LENGTH: 2-15/16
  4. SPECIFICATIONS SUBJECT TO CHANGE WITHOUT NOTICE.



1	18075	01/25/13	INITIAL RELEASE	MMA	
REV.	ECN	DATE	DESCRIPTION	CHG BY	APPD BY

Created on AUTOCAD		DIMENSIONING AND TOLERANCE PER ANSI Y14.5M-1982 UNLESS OTHERWISE SPECIFIED, DIMENSIONS ARE IN INCHES (MM). TOLERANCES .XX = ±.01 (.25) .XXX = ±.005 (.125) .XXX = ±.002 (.050) ANGLE TO .1°	
PROJECT REFERENCE: 2011-041		DRAWN BY: M. ABBY 01/23/13	
MATERIAL: SEE NOTES		CHECKED BY:	
		APPROVED BY:	
<b>Hubbell Premise Wiring</b> HUBBELL INCORPORATED (Delaware) 14 Lord's Hill Road, Stonington, Connecticut 06378		TITLE: <b>750Kcmil COPPER COMPRESSION LUG          DOUBLE HOLE, 0.375" HOLE SIZE</b>	
SIZE DRAWING NO.	D	HWS777152C	REV. 1
SCALE:	1/1	SHEET 1 OF 1	