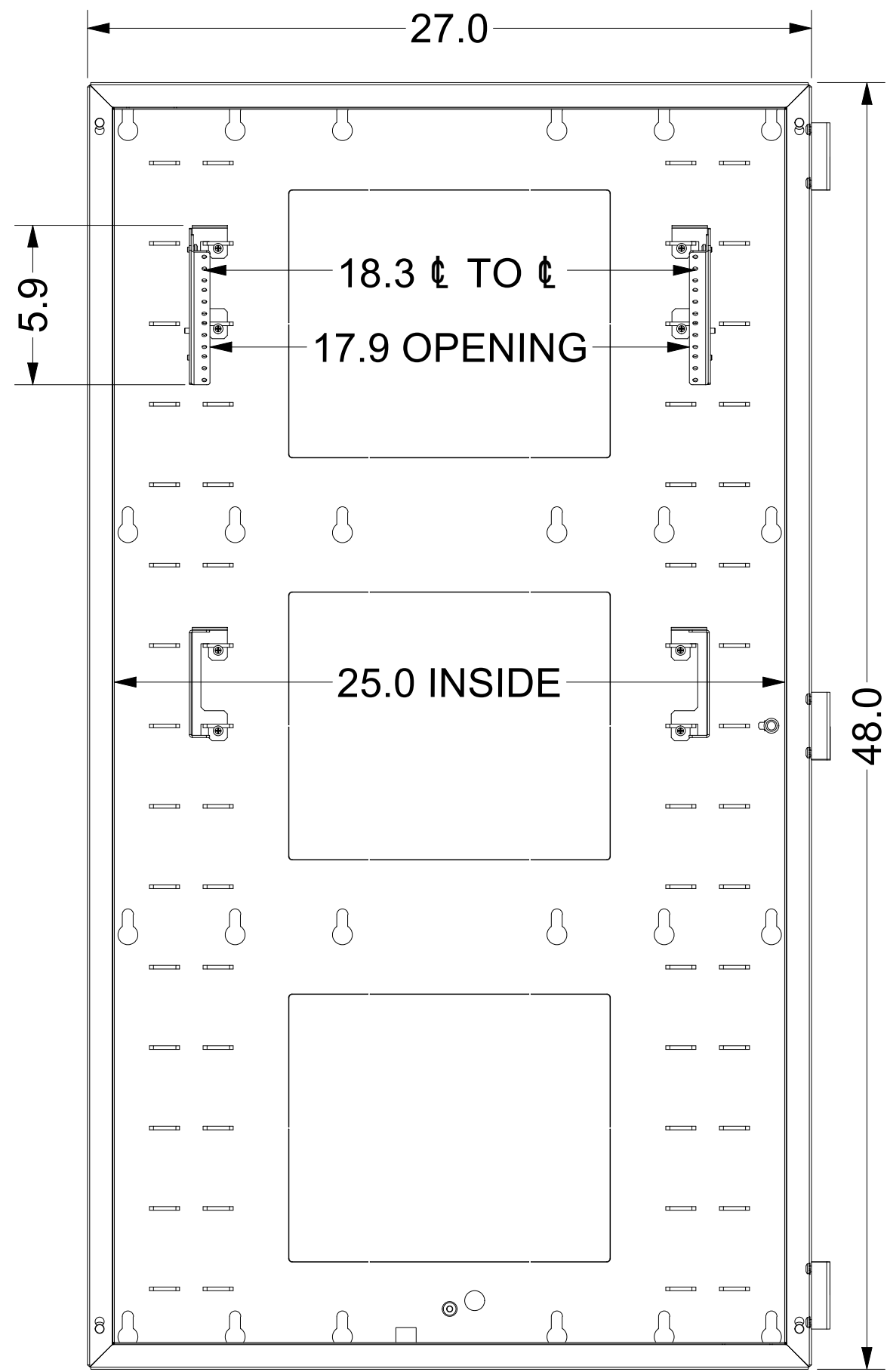
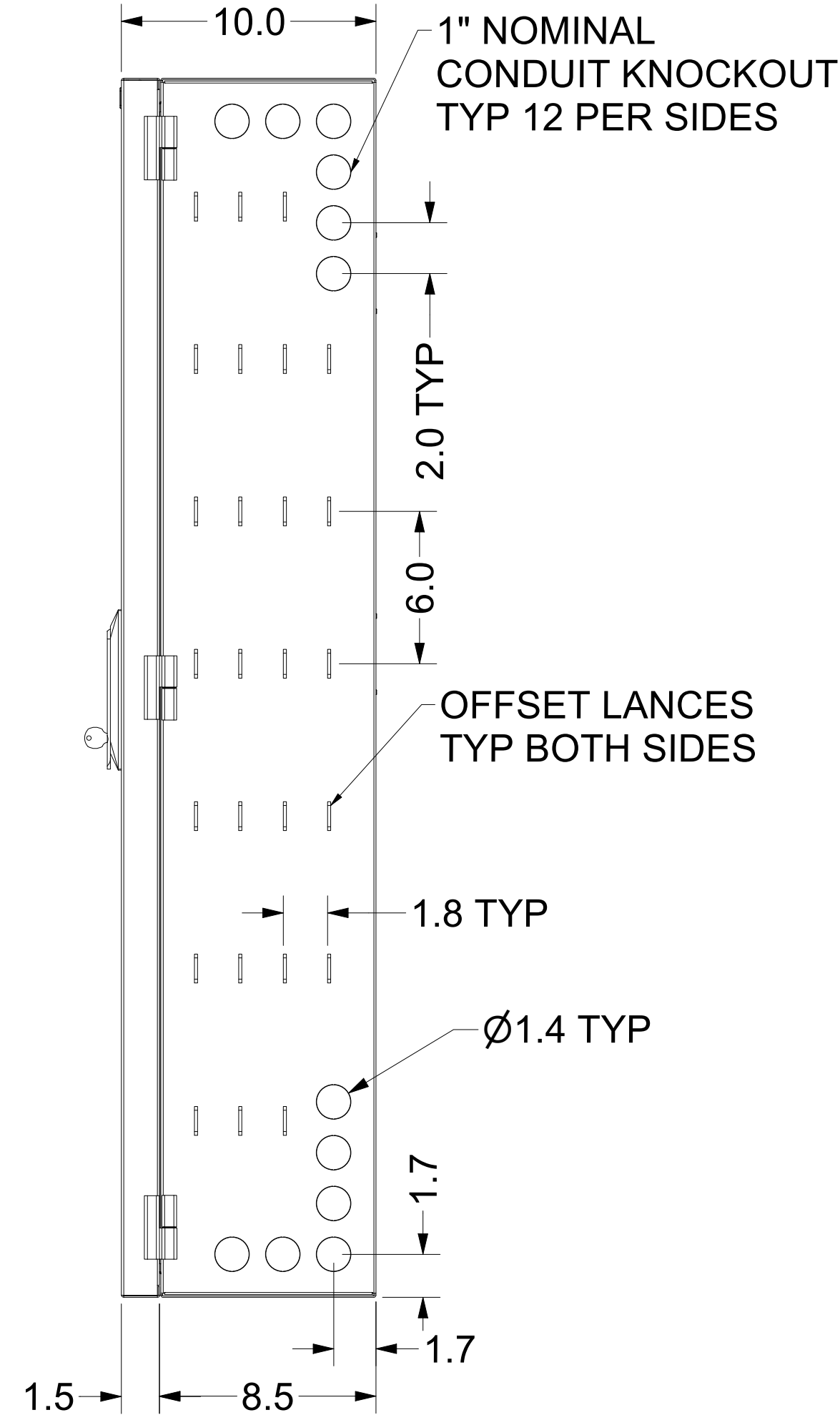


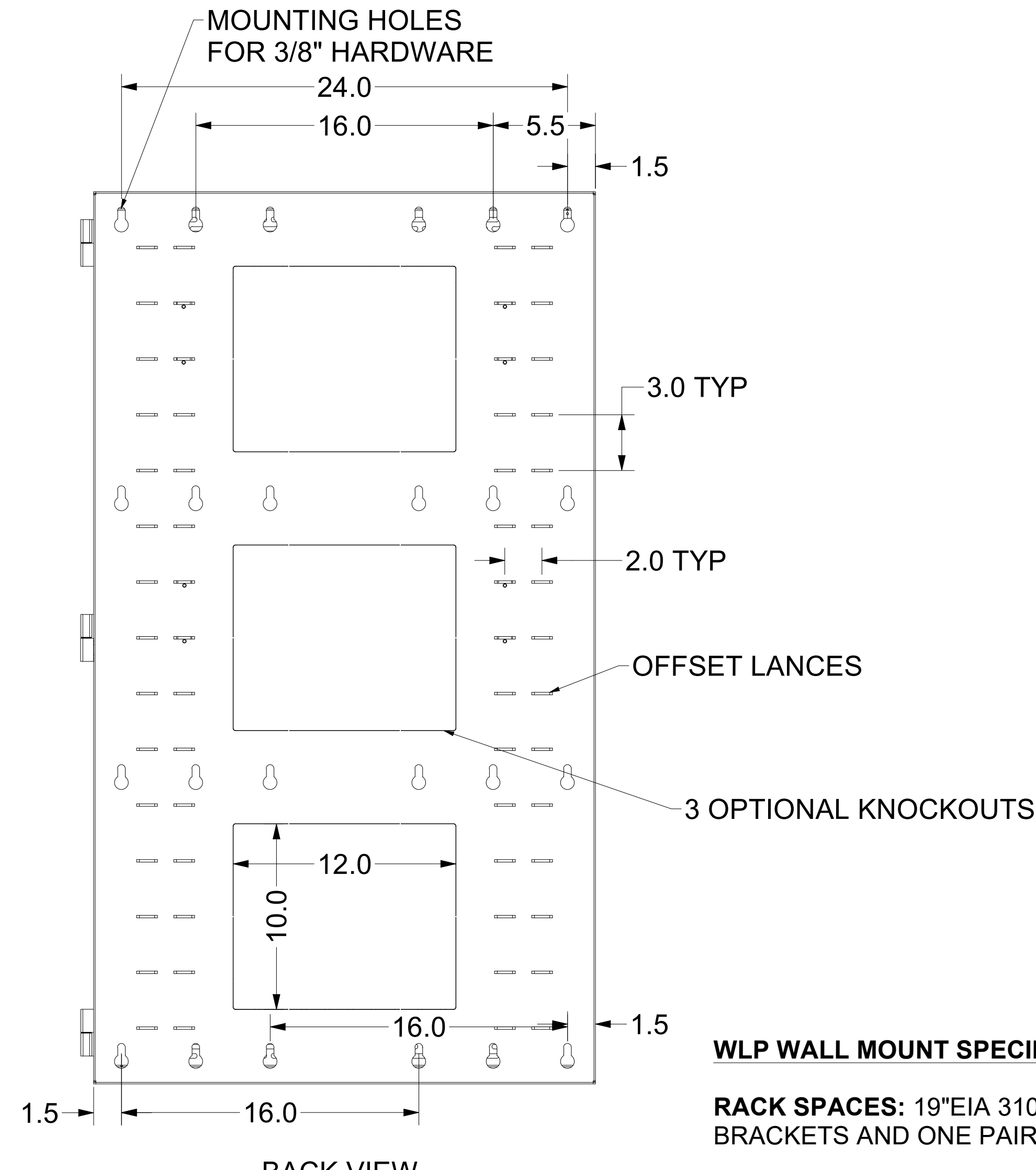
TOP VIEW
27.0



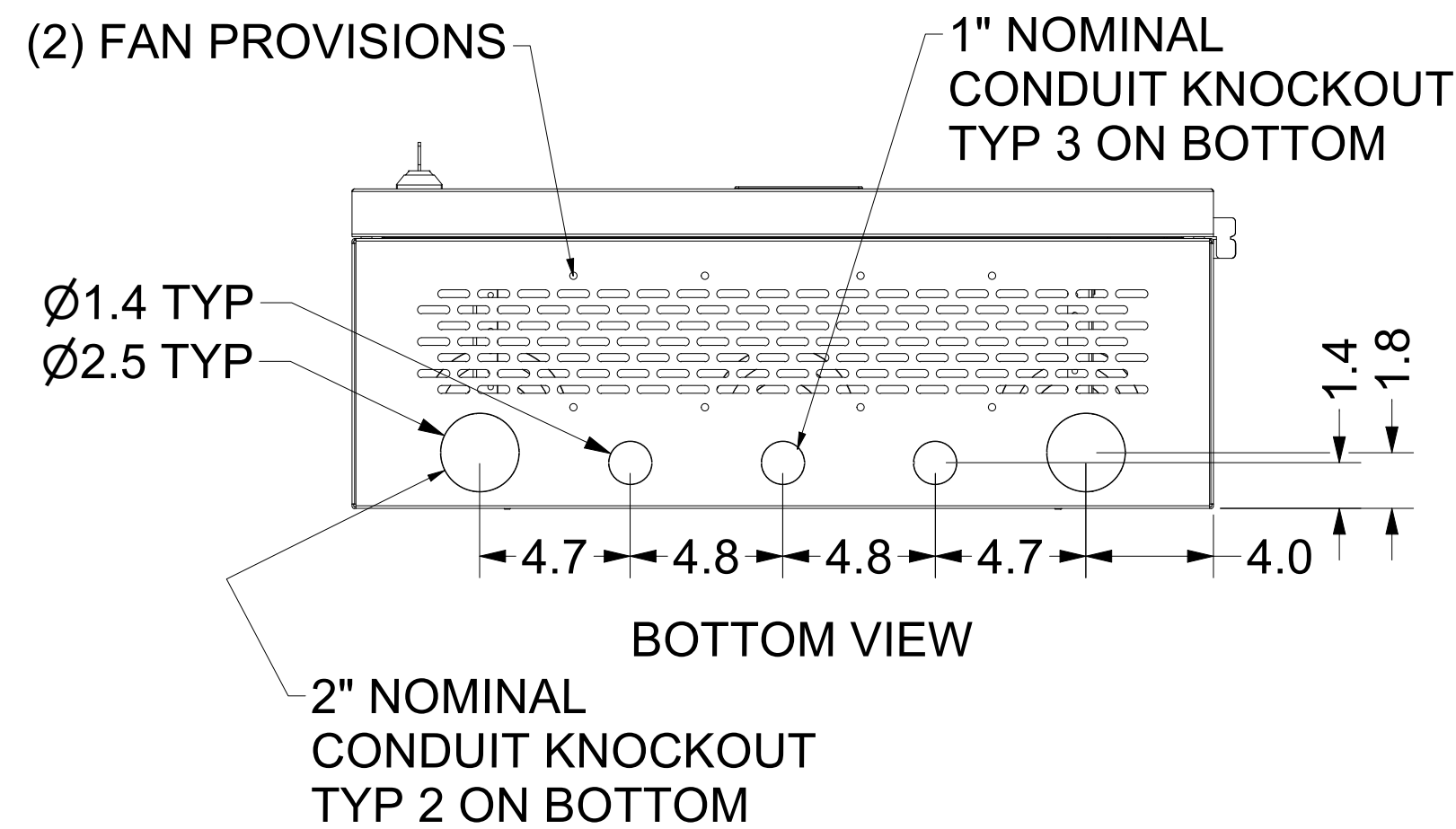
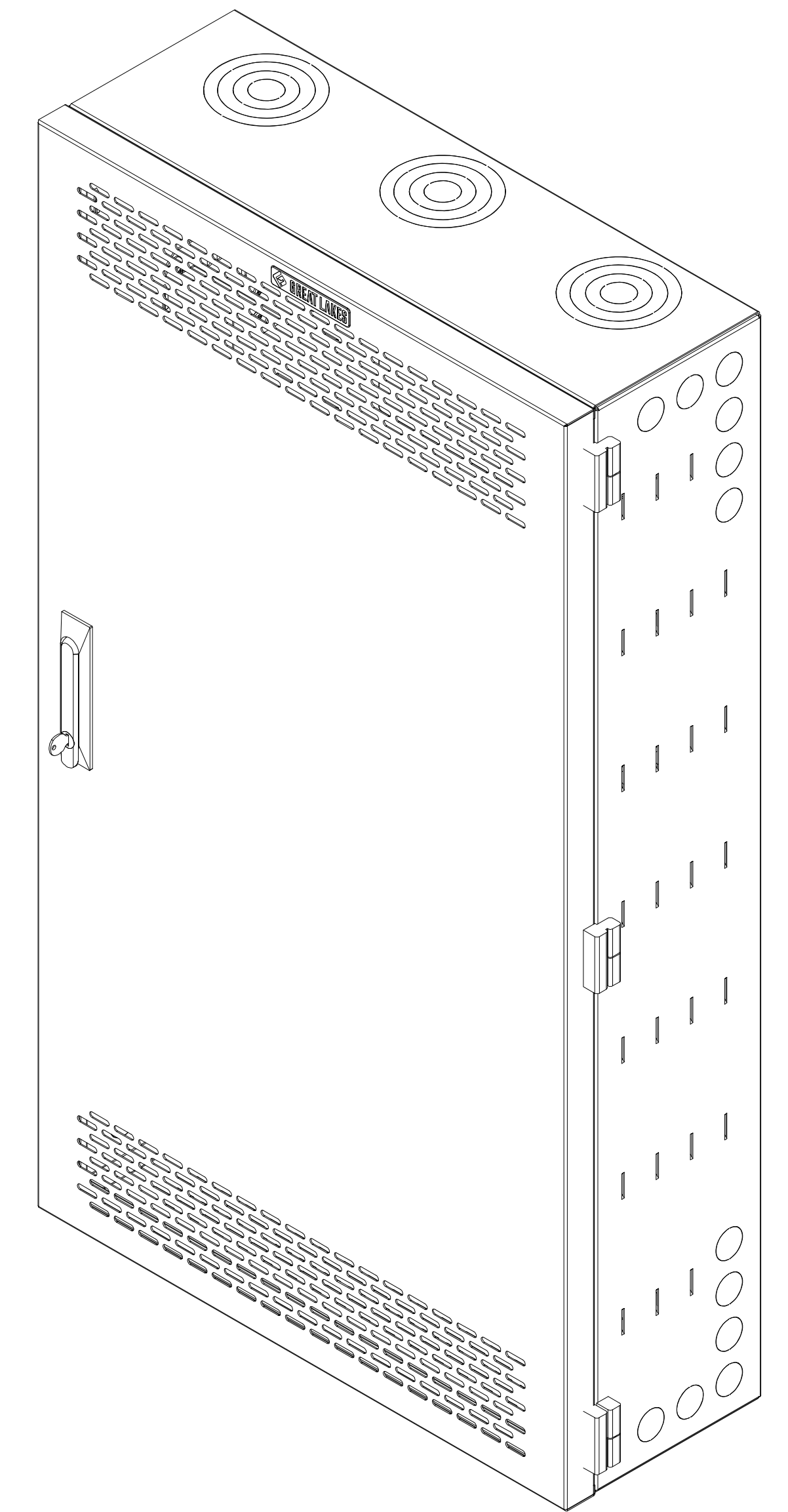
FRONT VIEW
DOOR NOT SHOWN



RIGHT SIDE VIEW



BACK VIEW



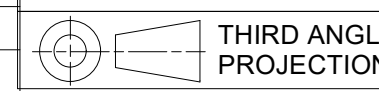
BOTTOM VIEW

- NOTES:**
 N1 4-DIGIT COMBINATION HANDLE, CH-06
 N2 ELECTRONIC HANDLE, GL-SEAL-TL3RF
 N3 ADDITIONAL 7217-04 FAN CAN BE ADDED

USABLE DEPTH 'A' - 39.5"; CONSIDERS ENCLOSURE USED WITH 4 RU TILT OUT BRACKETS
 USABLE DEPTH 'B' - 45.5"; CONSIDERS ENCLOSURE USED WITH ONLY 1 SET OF STAGGER RAIL BRACKETS

PART NUMBER					
PART NUMBER	COLOR	HANDLE	FANS	USABLE DEPTH A	USABLE DEPTH B
GL48WLP-B-SC-00	BLACK	SEAL COMBO (N1)	OPTIONAL	39.5"	45.5"
GL48WLP-B-SC-AF	BLACK	SEAL COMBO (N1)	ONE 75 CFM FAN INCLUDED (N3)	39.5"	45.5"
GL48WLP-B-SE-00	BLACK	SEAL ELECTRONIC (N2)	OPTIONAL	39.5"	45.5"
GL48WLP-B-SE-AF	BLACK	SEAL ELECTRONIC (N2)	ONE 75 CFM FAN INCLUDED (N3)	39.5"	45.5"
GL48WLP-B-SH-00	BLACK	SWINGHANDLE	OPTIONAL	39.5"	45.5"
GL48WLP-B-SH-AF	BLACK	SWINGHANDLE	ONE 75 CFM FAN INCLUDED (N3)	39.5"	45.5"

EST. WEIGHT :
N/A



INTERPRET DRAWING PER ASME Y14.5M-1994
 DIMENSIONAL LIMITS APPLY AFTER APPLICATION OF FINISH
 DRAWING NOT TO SCALE
 TOLERANCE UNLESS OTHERWISE NOTED:
 ANGULAR +/- 1'
 .XXXX +/- .015
 .XXX +/- .015
 .XX +/- .030
 .X FOR REF. ONLY
 UNLESS OTHERWISE SPECIFIED ALL DIMENSIONS ARE IN INCHES

NOTICE:

Use of this document is subject to a confidentiality and nondisclosure agreement with Great Lakes Case & Cabinet Co., Inc. (GLCC) and may not be reproduced, disclosed or utilized in whole or in part without prior written authorization from GLCC.

PART NUMBER: GL48WLP-B-XX-XX	TITLE 48"H WLP SERIES WALL MOUNT
MATERIAL TYPE:	GREAT LAKES DATA RACKS & CABINETS P.O. BOX 551 EDINBORO, PA 16412 PHONE (814) 734-7303 FAX (814) 734-3907 E-MAIL glcc@greatcabinets.com
MATERIAL GAUGE:	
FINISH:	DWG NO: I-3504
DRAWN TAD CHECKED & APP. DATE	DATE 5/15/2015
REV 0	SHEET: 1 OF 2

WLP WALL MOUNT SPECIFICATIONS

RACK SPACES: 19"EIA 310-E COMPLIANT - ONE PAIR OF (4) RMU TILT BRACKETS AND ONE PAIR OF (6) RMU STAGGER BRACKETS INCLUDED

COLOR: DURABLE BLACK TEXTURED POWDER COAT

CONSTRUCTION: FULLY WELDED #16 GA CRS #16 GA CRS DOOR

WEIGHT CAPACITY: 150 LBS.

CERTIFICATION: UL2416 STANDARD FOR IT AND COMMUNICATIONS EQ., ENCLOSURES.

HARDWARE: PACKAGE OF (QTY 30) #12-24 SCREWS, INCLUDED

8 7 6 5 4 3 2 1

(4 RMU) #12-24 UNC TAPPED
TILT-OUT BRACKET SET
INCLUDED; ADDITIONAL
SET OF BRACKETS (WLPTOB)

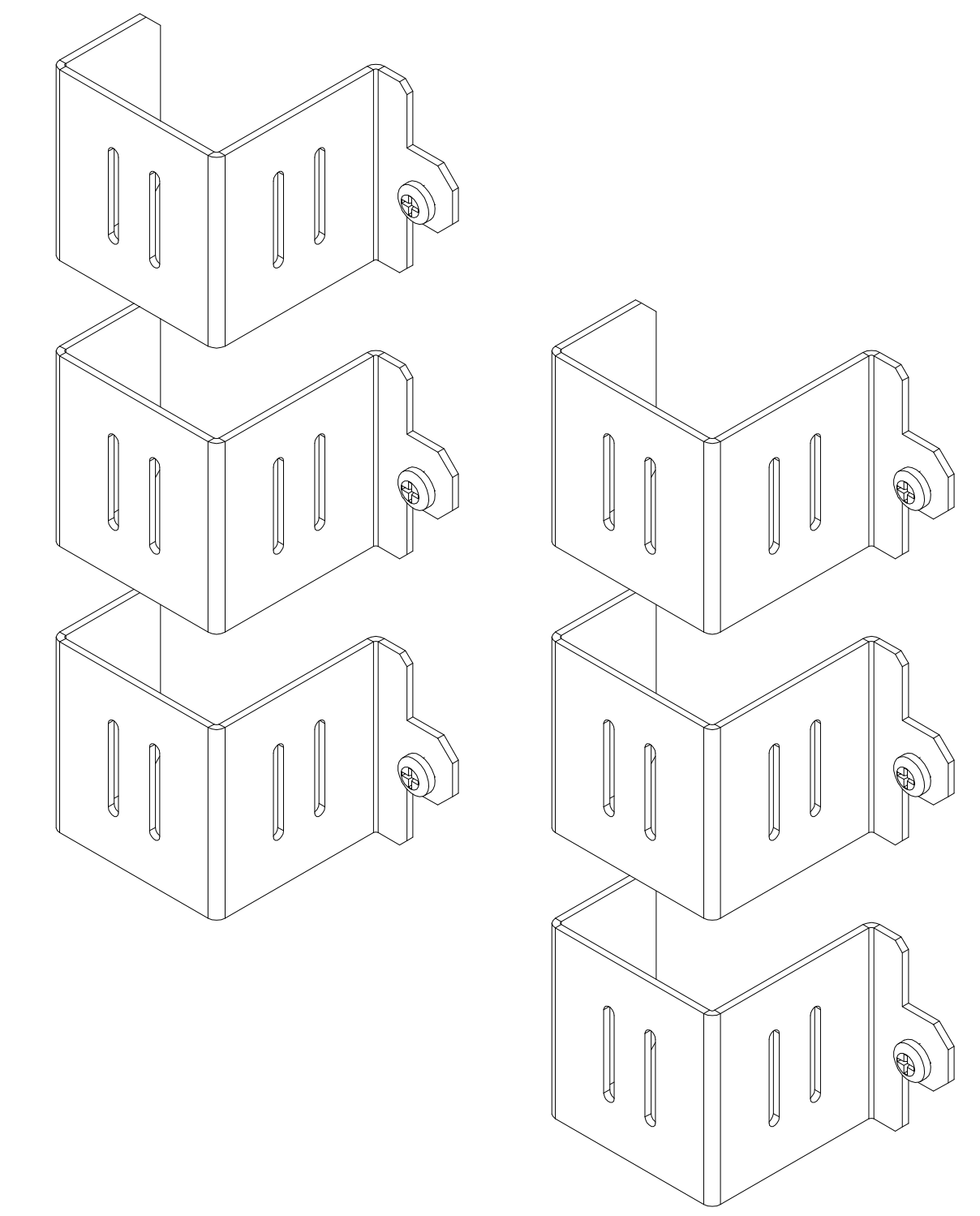
(2 & 4 RMU) #12-24 UNC TAPPED
STAGGER BRACKET SET
INCLUDED; ADDITIONAL
SET OF BRACKETS (WLPSB)

MOUNTING LOCATION
FOR 75 CFM FANS

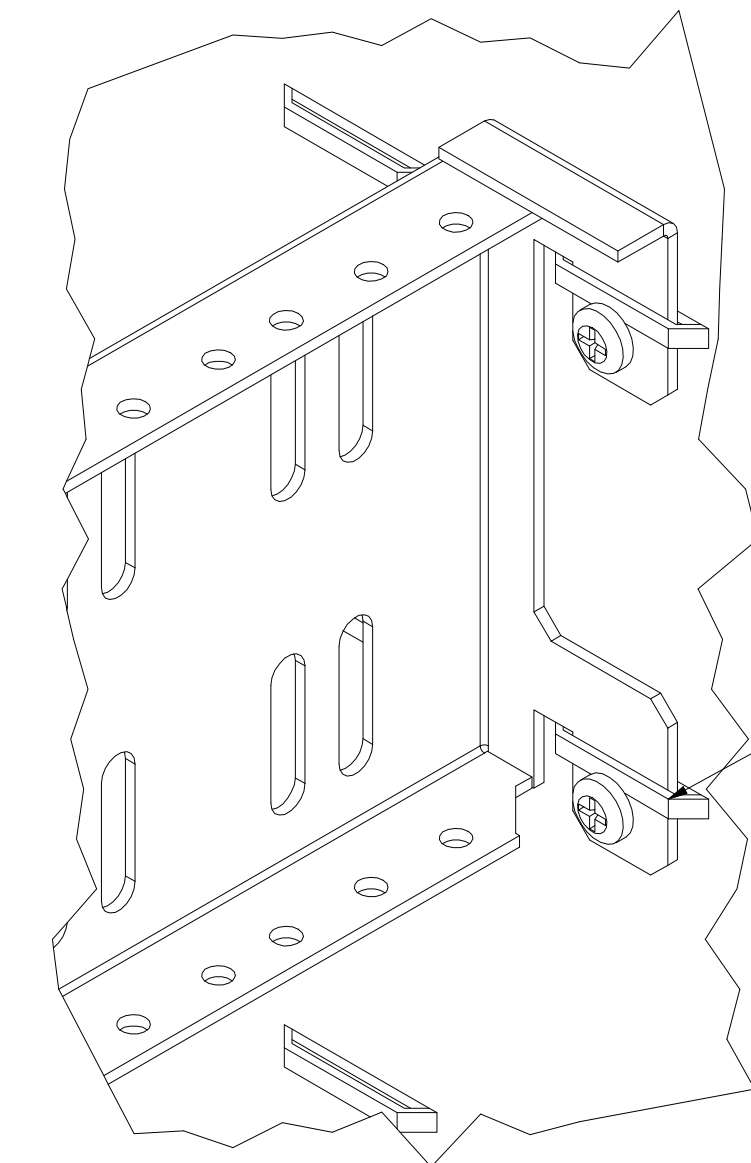
DOOR IS GROUNDED
TO ENCLOSURE

PERFORATED DOOR

SWING HANDLE PICUTRED;
25mm x 150mm HANDLE CUTOUT
ACCPETS ALTERNATIVE HANDLES
(SEE CHART)



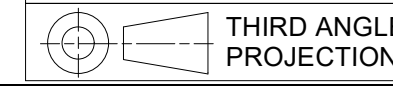
**ADDITIONAL WLP ACCESSORIES
AVAILABLE, VISIT GREATCABINETS.COM**



COMPONENT HOOKS SLIDE
INTO OFFSET LANCES ON THE
REAR OF THE ENCLOSURE
AND ARE RETAINED IN
POSITION BY SCREWS
(FIELD ADJUSTABLE)

DETAIL A

EST. WEIGHT :
N/A



INTERPRET DRAWING PER ASME Y14.5M-1994
DIMENSIONAL LIMITS APPLY
AFTER APPLICATION OF FINISH
DRAWING NOT TO SCALE
TOLERANCE UNLESS OTHERWISE NOTED:
ANGULAR +/- 1°
.XXXX +/- .010
.XXX +/- .015
.XX +/- .030
.X FOR REF. ONLY
UNLESS OTHERWISE SPECIFIED
ALL DIMENSIONS ARE IN INCHES

NOTICE:
Use of this document is subject to
a confidentiality and nondisclosure
agreement with Great Lakes Case
& Cabinet Co., Inc. (GLCC) and may
not be reproduced, disclosed or
utilized in whole or in part without
prior written authorization from GLCC.

PART NUMBER:
GL48WLP-B-XX-XX
MATERIAL TYPE:
MATERIAL GAUGE:
FINISH:
DRAWN TAD DATE 5/15/2015
CHECKED & APP. DATE

TITLE
48"H WLP SERIES WALL MOUNT
GREAT LAKES DATA RACKS & CABINETS
P.O. BOX 551 EDINBORO, PA 16412
PHONE (814) 734-7303 FAX (814) 734-3907
E-MAIL glcc@greatcabinets.com
DWG NO:
I-3504
REV
0
SHEET: 2 OF 2

8 7 6 5 4 3 2 1