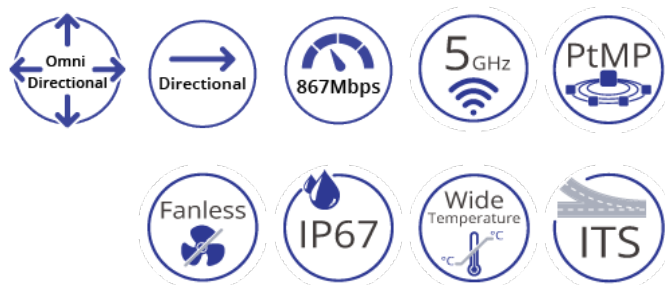


# EW75200-1308

Hardened IP67 Outdoor Wireless Access Point/Bridge



## Overview

The eWAV EW75200-1308 is a hardened IP67 outdoor wireless access point (WAP) providing high speed wireless connectivity for harsh and demanding environments. Comprised of high-power, long-range IEEE 802.11ac MIMO wireless radios with gigabit IEEE 802.3at PoE connectivity, the EW75200-1308 is hardened against extreme temperatures and water ingress. eWAV delivers the power and range (up to 20 miles) to wirelessly connect remote networks or extend existing networks in an efficient and cost-effective way. The EW75200-1308 supports two 5GHz 802.11a/n/ac Radios for long-distance Point-to-Point/Point-to-Multi-Point data transmission and local device access such as laptops, wireless IP cameras, or mobile devices. Maximum transmission speeds are up to 867Mbps on each 5GHz radio.

EtherWAN — "When Connectivity is Crucial."

## Highlights

### + High Bandwidth Wireless Connectivity

Designed for Point-to-Point and Point-to-Multipoint wireless backhaul applications  
 IEEE 802.11a/n/ac providing high throughput data transmission on 5GHz up to 867Mbps  
 1 x dual polarization, high gain panel antenna  
 2 x high gain omnidirectional antennas

### + Hardened Grade with IP67 Protection

Wide operating temperature range for extreme environments  
 Fanless and ruggedized outdoor IP67 enclosure

### + Comprehensive and Advanced Software Features

Static routing, RIP v1/v2 and OSPF v2  
 Built in Stateful Firewall and RADIUS for security control  
 RF strength LEDs and Bandwidth Tester to ease installation effort

## Software Features

### + Interface

Web Browser  
SNMP v1/v2/v3

### + Management

Firmware and configuration upgrade and backup via Web Browser  
Supports DHCP Server/Client/Relay  
DNS cache and Web Proxy  
System health monitoring including temperature and voltage  
Local system log, e-mail and remote log service  
SNTP Client  
Useful tools such as Bandwidth Test, E-mail, Ping, Traceroute, Packet Sniffer and Traffic Generator

### + Wireless

Encryption: WPA, WPA2, WEP, AES  
Dynamic Frequency selection  
Proprietary Nstreme and Nv2 protocols for long distance transmission

### + Routing

Static routing, RIP v1/v2 and OSPF v2  
Bidirectional Forwarding Detection  
Prefix List to filter and control the routing table

### + Security

**RADIUS client**

**Powerful Firewall**

- Stateful packet inspection
- Layer-7 protocol detection
- Peer-to-peer protocols filtering

**Traffic classification by:**

1. Source MAC address
2. IP addresses (Network or List) and address types (Broadcast, Local, Multicast, Unicast)
3. Port or port range
4. IP protocols
5. Protocol options (ICMP type and code fields, TCP flags, IP options and MSS)
6. Interface the packet arrived from or left through
7. Internal flow and connection marks
8. DSCP byte
9. Packet content
10. Rate at which packets arrive and sequence numbers
11. Packet size
12. Packet arrival time

# Hardware Specifications

## + Technology

### Standards

IEEE 802.3 10BASE-T  
 IEEE 802.3u 100BASE-TX  
 IEEE 802.3ab 1000BASE-T  
 IEEE 802.11a/n/ac Wireless LAN

### Performance

Wireless transmission rate 5GHz:  
 11a: 108Mbps  
 11n: 300Mbps  
 11ac: 867Mbps

Ethernet data rate:  
 Up to 540Mbps (LAN to wireless 11ac)

### Wireless

RF channels: Non-overlapping  
 Frequency range:  
 5GHz: 5150-5250MHz and 5725-5850MHz

Channel width:  
 5GHz: 10MHz, 20MHz, 40MHz, 80MHz

Data security: 256-bit AES-CCM

### Transmit power and receive sensitivity 5GHz

	Transmit power (dBm)	Receive sensitivity
6MBit/s	31	-96
54Mbit/s	27	-81
MCS0	30	-96
MCS7	27	-77
MCS9	22	-72

## + Mechanical

### Casing

UV Protected Polystyrene case

### Dimensions (Antennas Attached)

270 x 505 x 76mm (10.63" x 19.88" x 3")

### Weight

(1.9 kg) 4.2lbs.

### Installation

Pole/Wall Mounting

## + Power

### Input

PoE 802.3at/bt

### Power Consumption

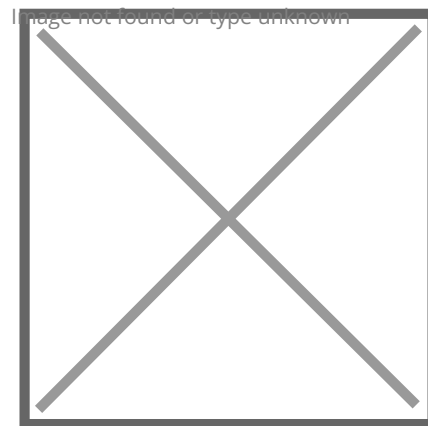
17W Max.

## + Interface

### Ethernet Port

10/100/1000BASE-TX PoE

### LED Indicators



## + Environment

**Operating Temperature**  
-40 to 75°C (-40 to 167°F)

**Storage Temperature**  
-45 to 85°C (-49 to 185°F)

**Ambient Relative Humidity**  
5% to 95% (non-condensing)

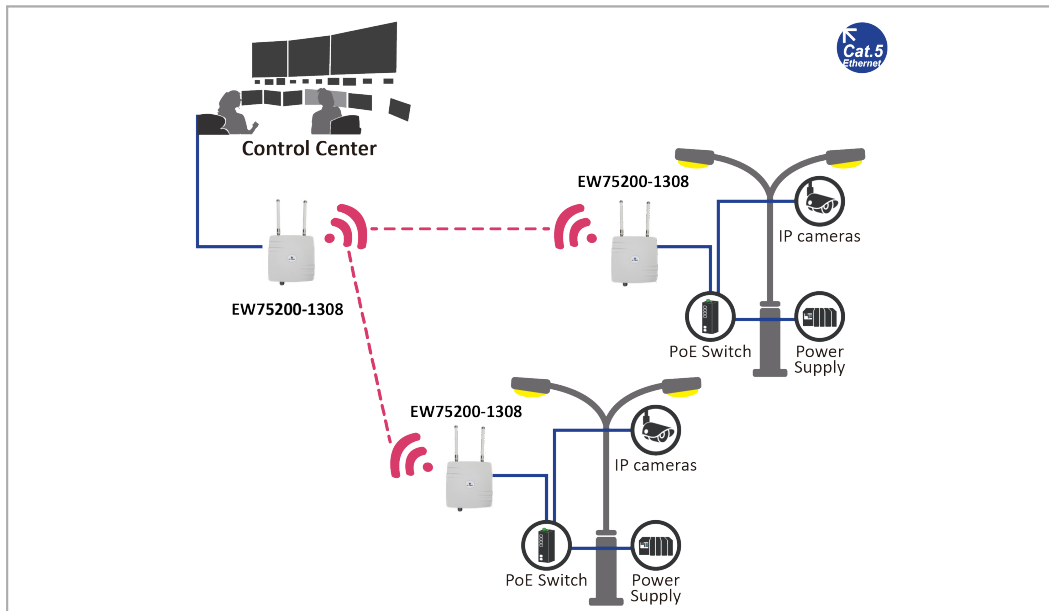
## + Regulatory Approvals

**ISO**  
Manufactured in an ISO 9001 facility

**EMI**  
FCC Part 15B Class A  
FCC Part 15C

**Environmental Test Compliance**  
IEC 60068-2-6 Fc (Vibration Resistance)  
FED STD 101C Method 5007.1 (Free fall w/package)

## Application



## Ordering Info

### + Model

EW75200-1308	Hardened IP67 outdoor wireless access point with 5GHz/19dBi Panel antenna and 5GHz/8dBi Omni antenna
--------------	--

### + Accessories

JPOLE18	18" Wall Mount J-Pole
Cable 25	25' Shielded Twisted Pair CAT 6 Cable with UV Resistant Coating
Cable 50	
Cable 150	150' Shielded Twisted Pair CAT 6 Cable with UV Resistant Coating
Cable 300	330' Shielded Twisted Pair CAT 6 Cable with UV Resistant Coating

