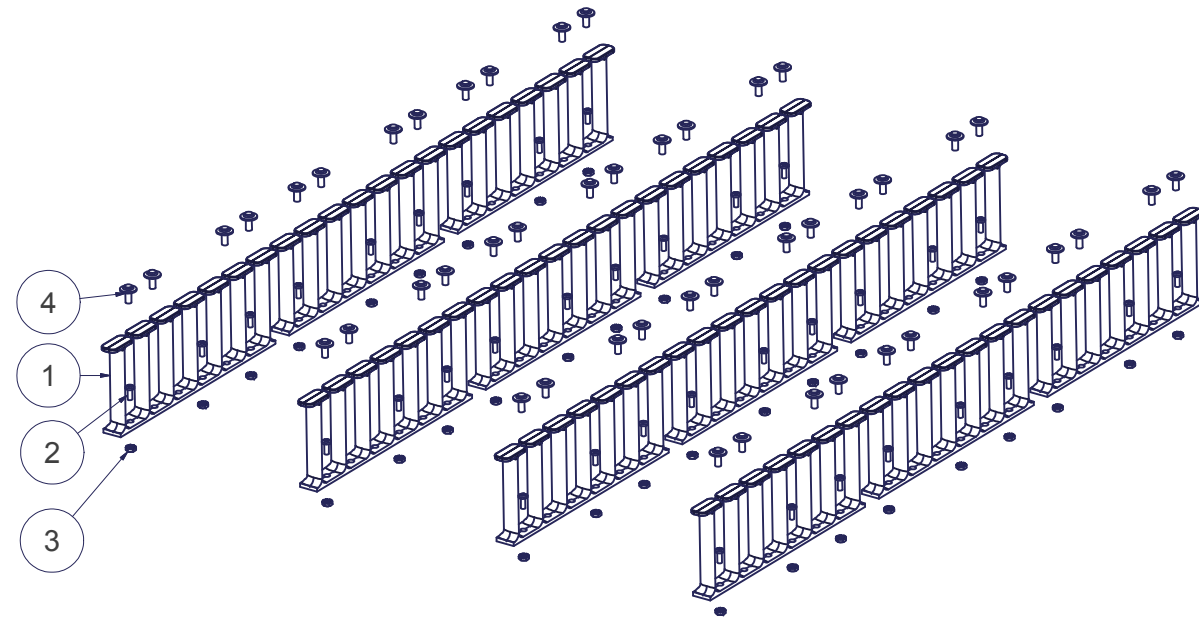
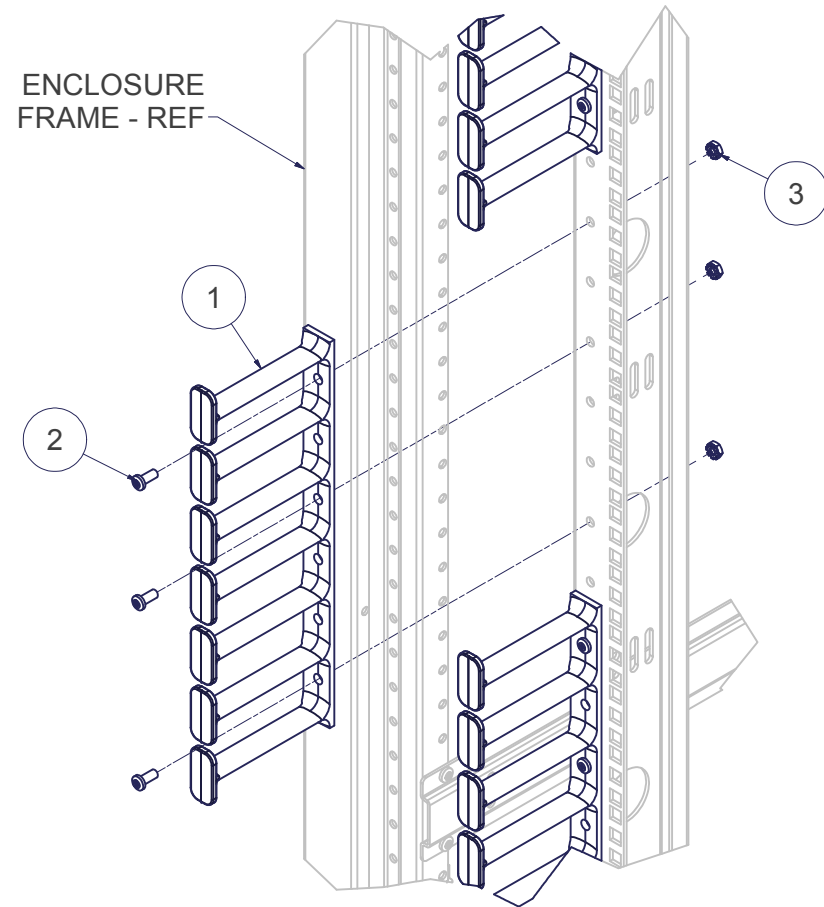


REVISION HISTORY			
REV	DESCRIPTION	DATE	APPROVED
0	ECO-03280	7/15/2011	FED

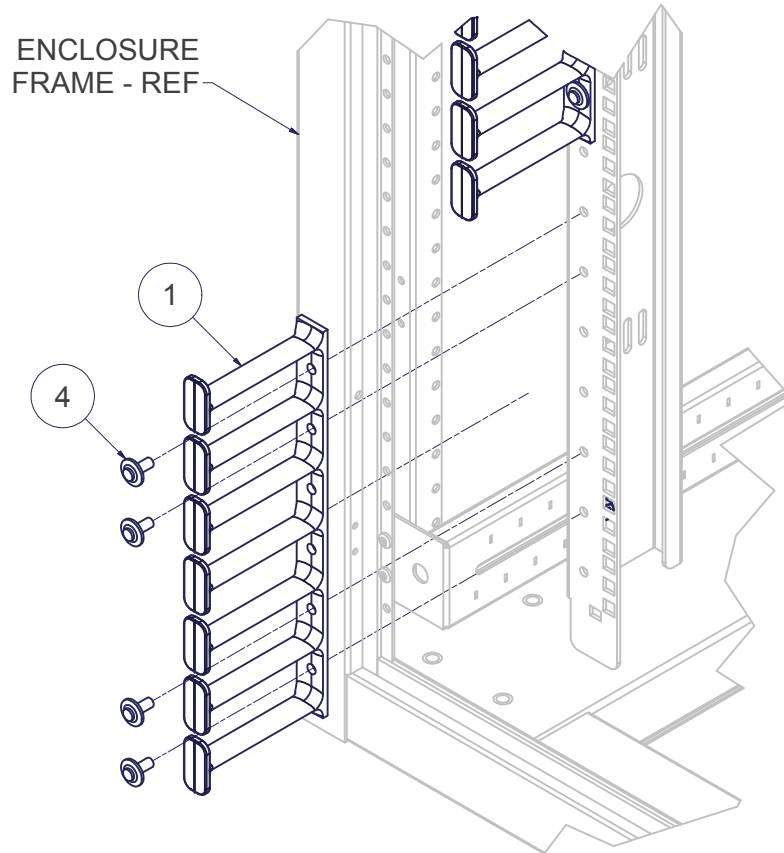
Bill of Material						
ITEM	PART NUMBER	STOCK NUMBER	QTY	DESCRIPTION	FILE NAME	REV
1	CM47		12	4"DEEP x 7 RMU PLASTIC FINGER CABLE MANAGEMENT	I013299.ipt	3
2	H01-078	H01-078	36	SCREW, 10-32x1/2" PH PAN TYPE 23 BLACK OXIDE/WAX RoHS (SCR1032X500BLK)	H01-078.ipt	-
3	H02-001	H02-001	36	#10-32 KEPS NUT, ZINC RoHS (10/32NUT)	H02-001.iam	-
4	30063008-05004D	H31-022	48	PANEL FASTENER, TUFLOK, ITW-FASTEX. OR EQUIV.	30063008-05004D.ipt	-



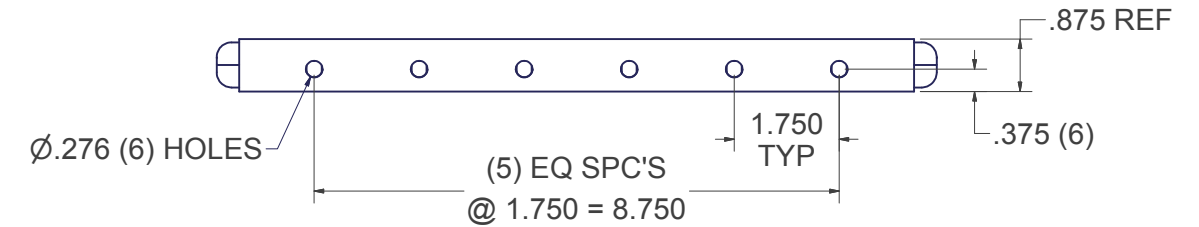
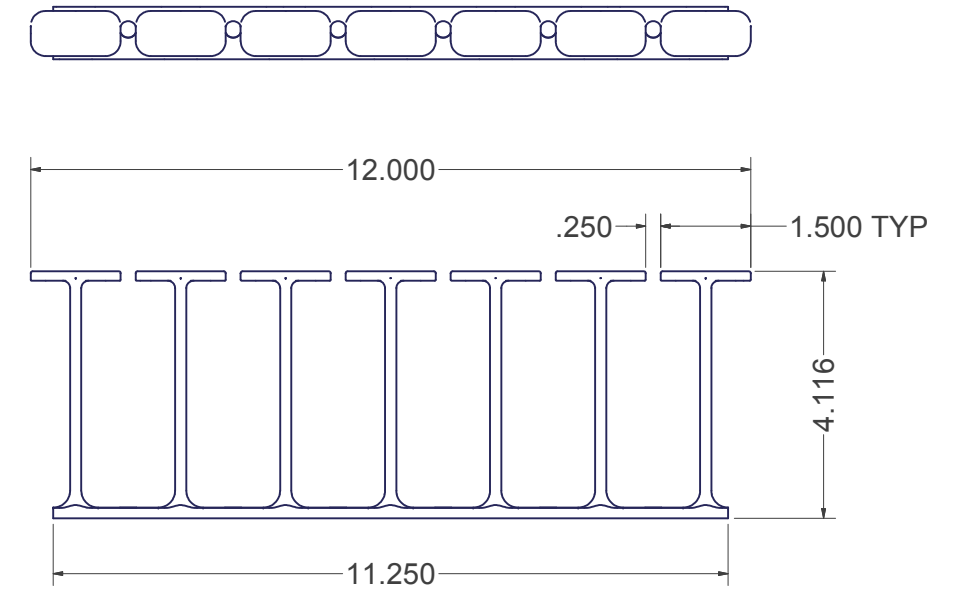
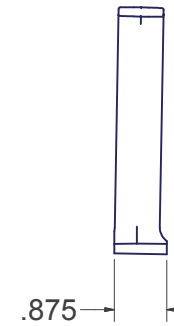
THE ITEMS ABOVE COMPRISE (1) KIT



PREFERRED MOUNTING METHOD
FIT AT INITIAL INSTALLATION USING
THE SCREWS & NUTS INDICATED



ALTERNATE MOUNTING METHOD
FITS EXISTING INSTALLATIONS WHERE
ACCESS IS LIMITED USING PUSH PINS
FROM THE FRONT AS SHOWN



DETAIL OF TYPICAL PLASTIC CABLE MANAGER (CM-47)

NOTES:

- ITEMS 1 THRU 4 TO BE PACKAGED SEPARATELY IN PLASTIC BAGS AND BUNDLED AS PART OF A KIT W/ INSTRUCTIONS.

INTERPRET DRAWING PER ASME Y14.5M-1994 DIMENSIONAL LIMITS APPLY AFTER APPLICATION OF FINISH DRAWING NOT TO SCALE TOLERANCE UNLESS OTHERWISE NOTED: ANGULAR +/- .1" .XXXX +/- .010 .XXX +/- .015 .XX +/- .030 .X FOR REF. ONLY UNLESS OTHERWISE SPECIFIED ALL DIMENSIONS ARE IN INCHES	NOTICE: Use of this document is subject to a confidentiality and nondisclosure agreement with Great Lakes Case & Cabinet Co., Inc. (GLCC) and may not be reproduced, disclosed or utilized in whole or in part without prior written authorization from GLCC.	PART NUMBER: ESC-K12	TITLE: CABLE MANAGEMENT KIT FOR 78"H OR 84"H 'E', 'ES', 'EN' ENCLOSURES (FRONT OR REAR)
		QTY PER UNIT: 1	MATERIAL TYPE: PURCHASED
		MATERIAL GAUGE: SEE DETAILS	GREAT LAKES CASE & CABINET CO., INC. P.O. BOX 551 EDINBORO, PA 16412 PHONE (814) 734-7303 FAX (814) 734-3907 E-MAIL glcc@greatcabinets.com
		FINISH: AS SUPPLIED	DWG NO: 1014367
DRAWN FED CHECKED & APP. WSS	DATE 7/14/2011 DATE 7/15/2011	REV 0	SHEET: 1 OF 1

