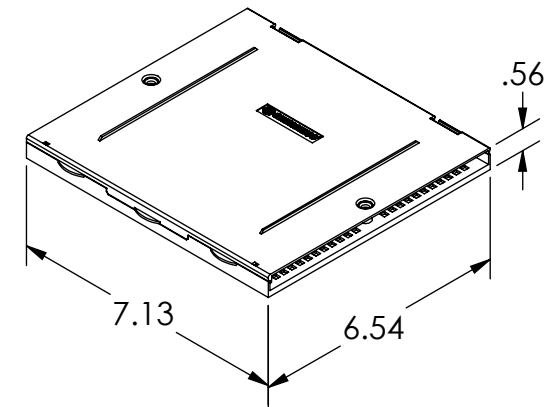


NOTES: UNLESS OTHERWISE SPECIFIED

1. CONFIGURATION IS AS SHOWN IN FIGURE 1.
2. ALL DIMENSIONS ARE IN INCHES.



KIT INCLUDES:

- (2) 6 POSITION MASS FUSION SPLICE HOLDERS
- (8) TIE WRAPS
- (1) BLUE/GREEN FILM INSERT
- (48) RUBBER COMPRESSION PADS

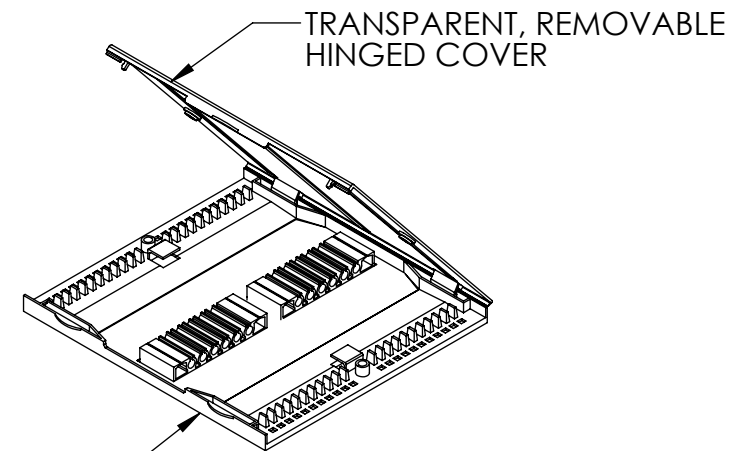
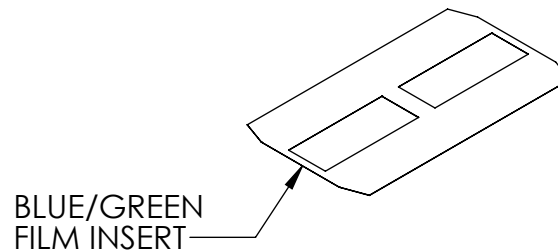
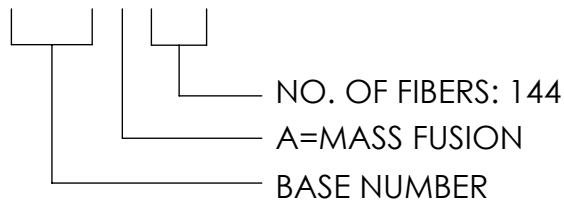


FIGURE 1

FST3-A144



PART NUMBER LEGEND

<p>*** NOTICE ***</p> <p>THIS DOCUMENT CONTAINS CONFIDENTIAL AND/OR PROPRIETARY INFORMATION INTENDED FOR USE ONLY BY THE INDIVIDUAL(S) PROVIDED. NEITHER THIS DOCUMENT, NOR ANY INFORMATION CONTAINED HEREIN, MAY BE COPIED, DISTRIBUTED, DISCLOSED TO ANY THIRD PARTY OR USED IN ANY MANNER OTHER THAN FOR WHICH IT HAS BEEN PROVIDED, WITHOUT THE PRIOR WRITTEN CONSENT OF ORTRONICS, INC. MANUFACTURING RELEASE. PRODUCT SPECIFICATIONS AND STANDARDS ARE SUBJECT TO CHANGE WITHOUT NOTICE.</p>					<p>125 EUGENE O'NEILL DRIVE NEW LONDON, CT 06320 TEL: 860-445-3800 FAX: 860-405-2990 WWW.ORTRONICS.COM</p>	
TITLE			MASS SPLICE TRAY ASSY, 144F			
NAME	DATE	SIZE	CAD FILE	DWG. NO.	REV	
DWN	DMS	4/19/2016	A	FST3A144C	OR-FST3-A144	00
CHK	RJG	4/19/2016	SCALE 1:4		SHEET 1 OF 1	
APPR	MW	4/19/2016				