

8" Plastic Net Media Center Combo

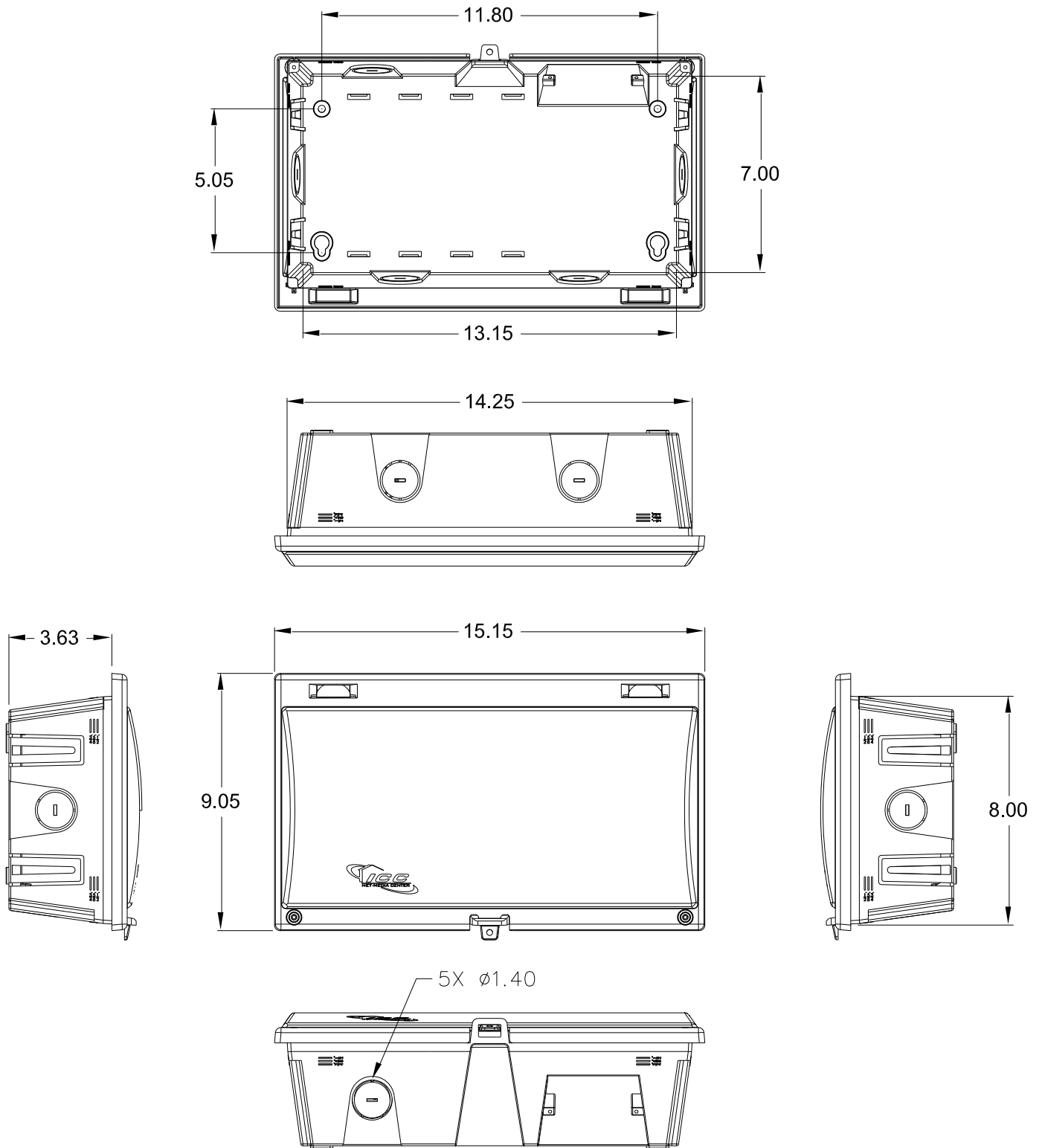
Package Includes:

- A. 8" Plastic Net Media Center Box, **1 Piece**
- B. Cover, **1 Piece**
- C. 8-Port Voice Module, **1 Piece**
- D. 1X6 2 GHz Video Splitter Module, **1 Piece**
- E. #6-12 X 12MM", Pan Head. Tapping Screw, Phillips, Zinc Plated Steel, **2 Pieces**
- F. #10-24 X 1", Wood Screw, **4 Pieces**
- G. T3-24X 10MM, Tapping Screw, **2 Pieces**
- H. Installation Instructions, **1 Sheet**



Features and Benefits

- Designed with high quality durable plastic
- Designed to serve as the central distribution point for voice and video for smaller residential structured wiring systems.
- Includes 2 top, 1 bottom, and 2 side knockouts for routing cables.
- Fits between 16" wall mounting spaces or can be wall mounted.
- Designed with a pad lock option for additional security (pad lock not included)
- Accepts up to four of ICC's Mini Telephone modules (ICRDSVPA10)
- Net Media Center enclosures are not designed to be installed in firewall applications
- ETL listed and complies with TIA-568-C, TIA-570-B, and TIA-607 standards
- Cover screw down option



NOTE: UNLESS OTHERWISE SPECIFIED

1. Material: ABS, UL 94V-0
2. Color: White
3. Finish: Matte

Part No: ICRDSMMAK8
Rev: A
Page 2 of 3

| 888-ASK-4ICC | icc.com | cs@icc.com |



NOTE: UNLESS OTHERWISE SPECIFIED

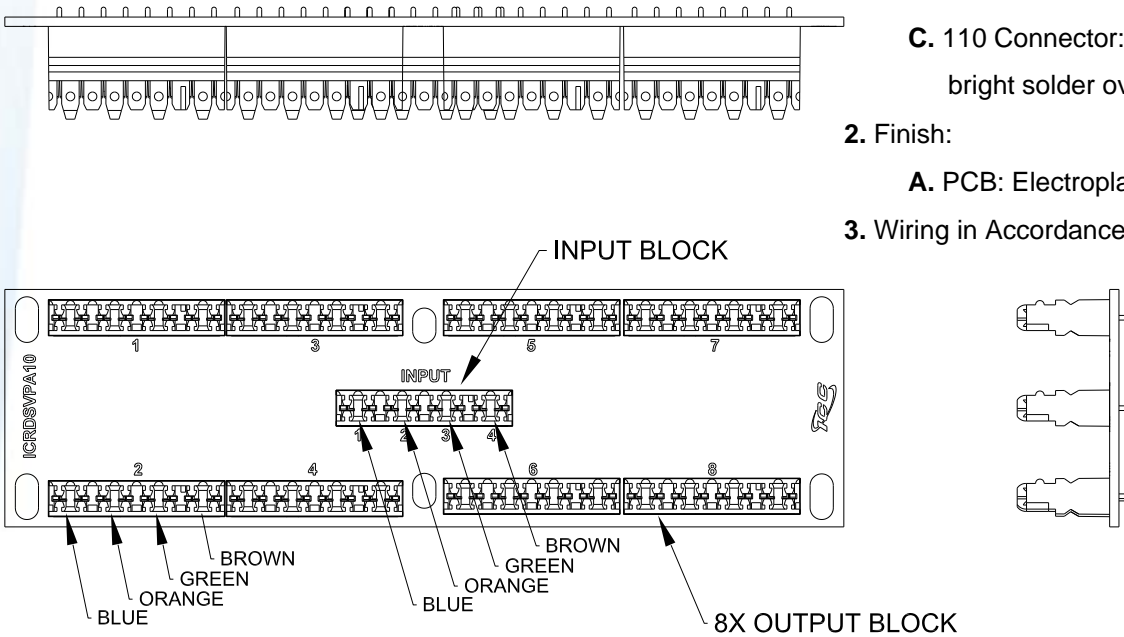
1. Material:

- A. PCB: Glass Epoxy FR4 Copper Clad .062" Thick Per MIL-P-13949
- B. 110 Block: ABS, UL 94V-0
- C. 110 Connector: Copper Alloy, 100µin of bright solder over 100µin of nickel under plate

2. Finish:

- A. PCB: Electroplated solder with hot solder dip

3. Wiring in Accordance to T568A



NOTE: UNLESS OTHERWISE SPECIFIED

1. 1X6 Video Splitter:

- A. Housing: Die-Casting with Nickel Plating
- B. Connectors: F-Type female
- C. Frequency Range: 5~2300 MHz
- D. Insertion Loss: 15 dB typical

