

VZ-MV401

4CH 4K Multiviewer



**4ch Multi-Viewing Processor Featuring
Up-Conversion 4K 3840x2160 Resolution &
User-Defined Custom Layouts**

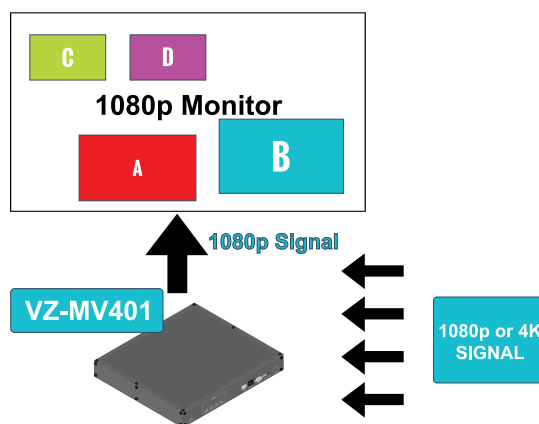


MODEL #		VZ-MV401
SPECIFICATIONS		
HDMI® signals with Deep Color and HDCP		1.4 / 2.2
Input Resolution		Up to 4K@60Hz, 4:4:4 Color Sampling
Output Resolution		Up to 4K@60Hz, 4:4:4 Color Sampling
Scalling		Up to 4K@60Hz, 4:4:4 Color Sampling
PIP & POP		Support
Custom Layout		14 Layout (6 preset & 8 custom)
Rotation		Support (R 90° & L 90°) - On 1080p Input
Flip		Support
INTERFACE		
HDMI Input		4 ea
HDMI Output		1 ea
Audio R/L		1 ea
USB 2.0		1 ea - Firmware
Serial Port (RS-232)		1 ea
Network (RJ-45)		1 ea - 10/100/1000 Base-T
RESOLUTION		
Video Output		4096 x 2160@60Hz, 4:4:4 Color Sampling
DIMENSIONS & WEIGHT		
Dimension (WxHxD)		17.33" x 9.05" x 1.77" / 440.4 x 230 x 45 mm
Net Weight		5.99 lbs / 2.72 Kg
MOUNT		
Server Chassis		1U (19")
GENERAL		
Transmitter - IR Remote Control		YES
Power	Electrical Ratings Consumption	DC 12V / 2A, locking barrel connector ≤ 15 W
Operating Temperature		32 ~ 113°F / 0 ~ 45°C
Storage Temperature		-4 ~ 140°F / -20 ~ 60°C
Operating Humidity		20 % ~ 90 % RH
LED Indicator Color		Input, Layout, Input Swap, Lock - Blue Standby On - Red Standby Off - Green

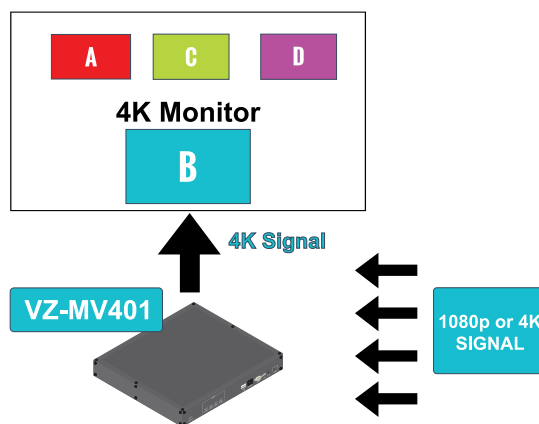
VZ-MV401 ADVANTAGES

- 4ch Multi-Viewing Processor Featuring Up-Conversion 4K 3840x2160 Resolution and User-Defined Custom Layouts
- Fast switching among input channels and combined multiple images on single monitor
- Handles HDMI® signals with Deep Color and HDCP 1.4 / 2.2
- Supports input/output resolution up to 4K@60Hz, 4:4:4 color sampling
- Supports scaling up to 4K@60Hz, 4:4:4 color sampling
- Supports 14 screen layouts
 - 6 preset and 8 customized screen layouts
- Rotation (R90° and L90°) when input resolution up to 1080p or flip output in full screen layout
- Supports front panel button, IR remote control, RS232 and Web UI
- Supports stereo audio output

APPLICATION 1



APPLICATION 2



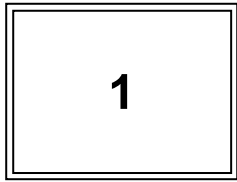
Input sources can be re-sized, rotated and placed exactly where you want within the display real-estate as shown

VZ-MV401

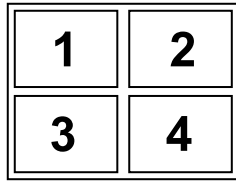
4CH 4K Multiviewer

SCREEN LAYOUT

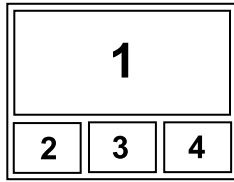
- Support PIP & POP
- Additional Custom Screen Layouts and maximum 8 layouts can be saved
- Preassigned Screen Layouts (6 Presets) as the below.



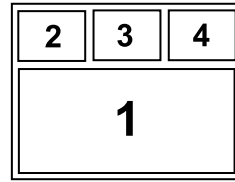
Preset 1



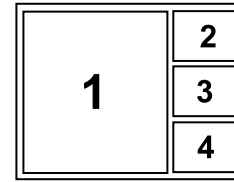
Preset 2



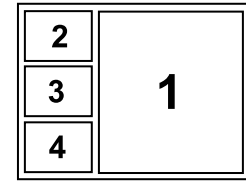
Preset 3



Preset 4

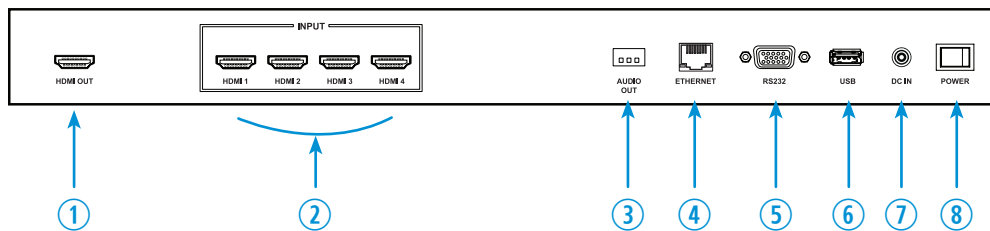


Preset 5



Preset 6

INTERFACE



1. HDMI OUT
2. HDMI IN
3. AUDIO OUT
4. ETHERNET
5. RS 232
6. USB
7. DC 12V IN
8. POWER

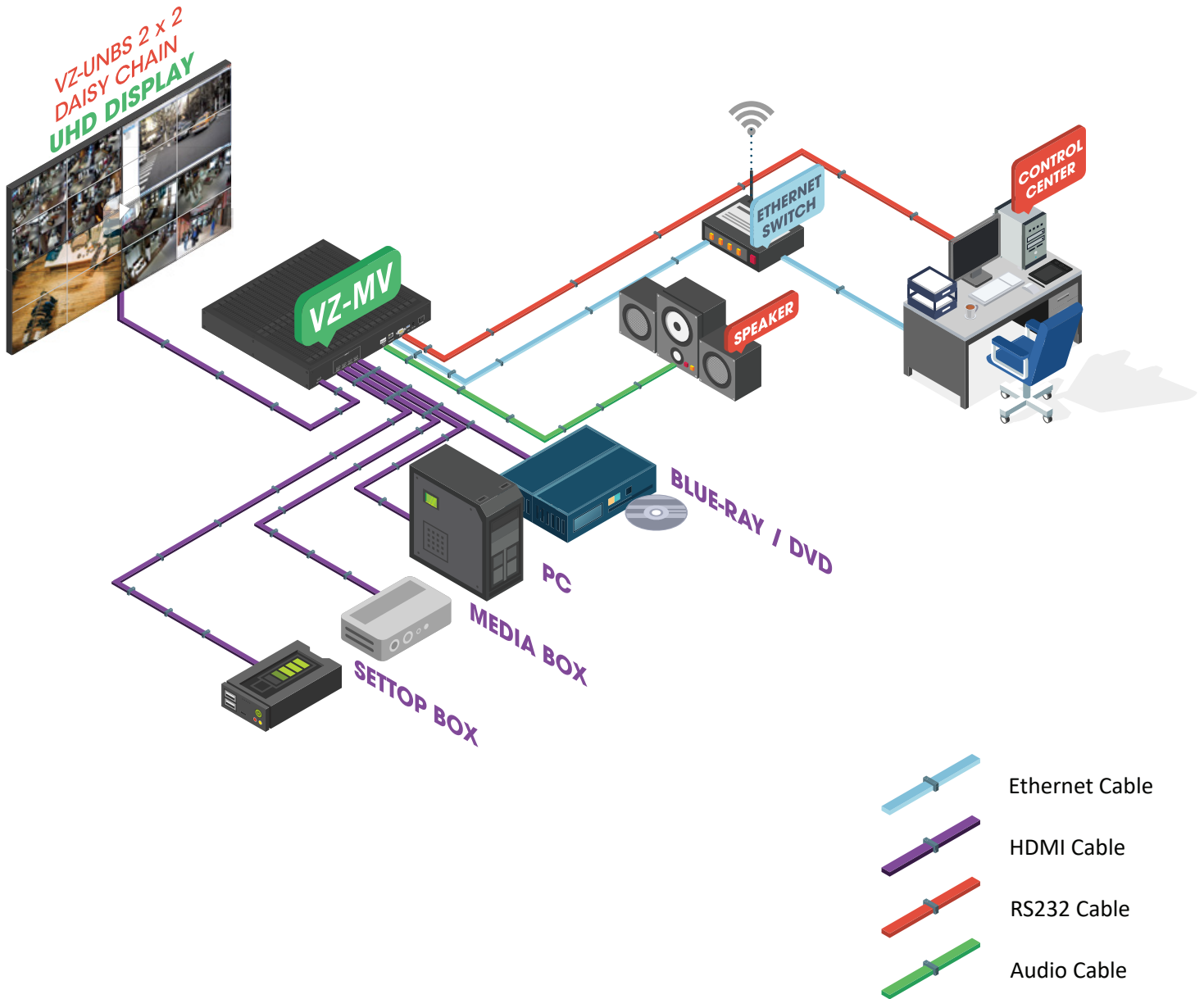
Contact ViewZ

- Address : 1030 N ARMANDO ST., ANAHEIM, CA 92806
- Phone : (714) 996-1177, Fax : (714) 996-1138
- Sales : sales@viewzusa.com

VZ-MV401

4CH 4K Multiviewer

SCREEN LAYOUT



Contact ViewZ

- Address : 1030 N ARMANDO ST., ANAHEIM, CA 92806
- Phone : (714) 996-1177, Fax : (714) 996-1138
- Sales : sales@viewzusa.com