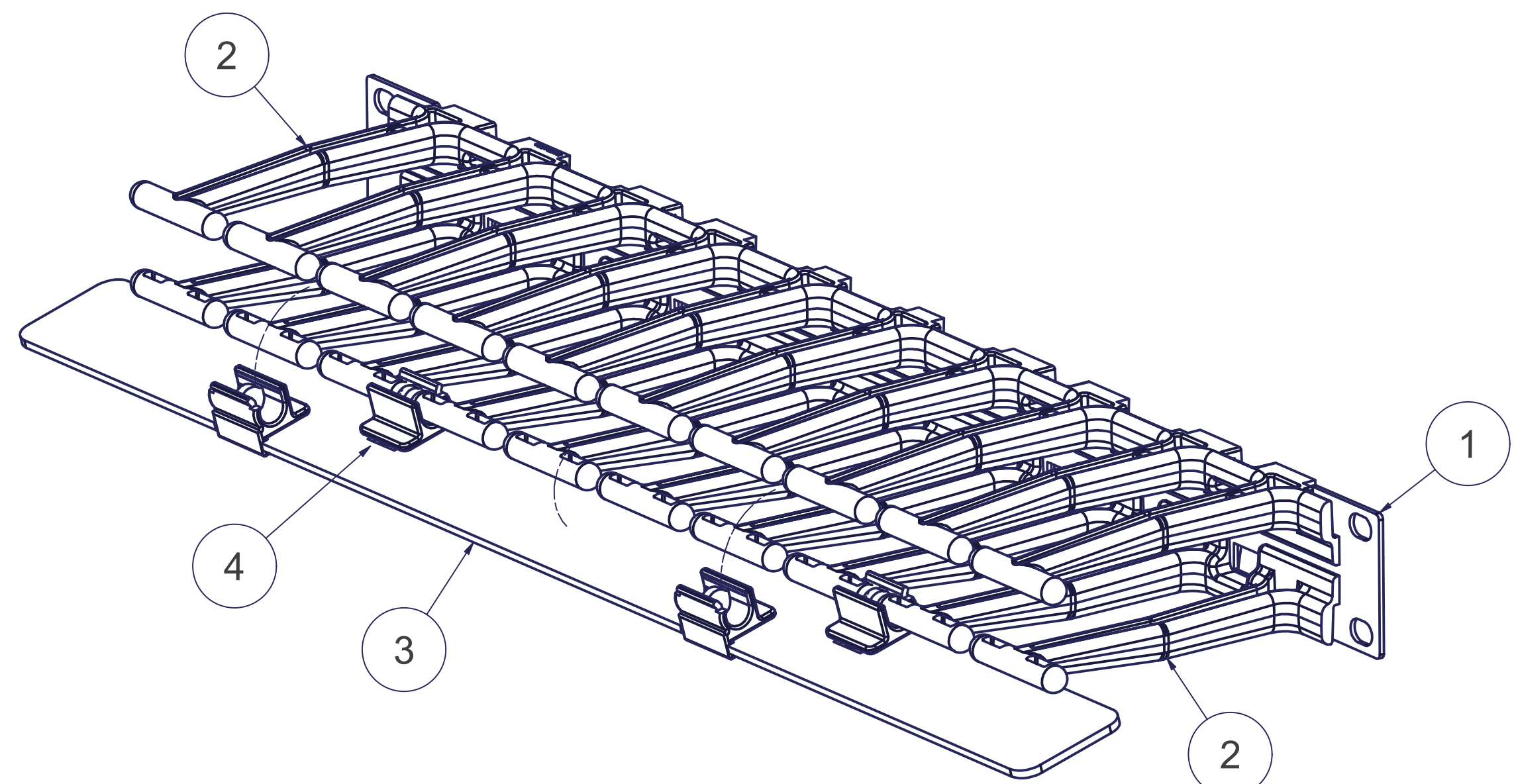
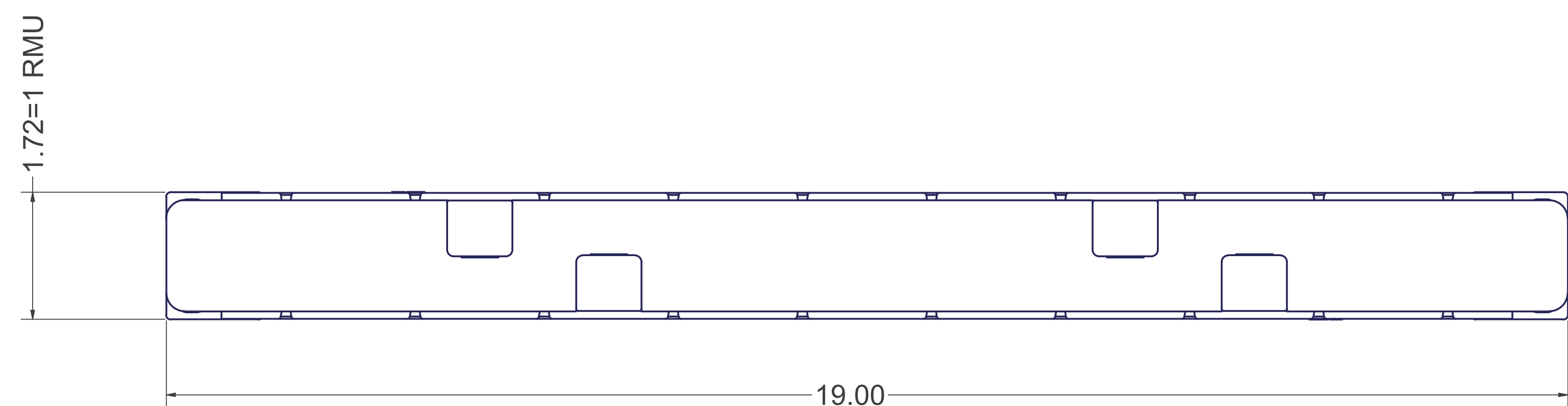
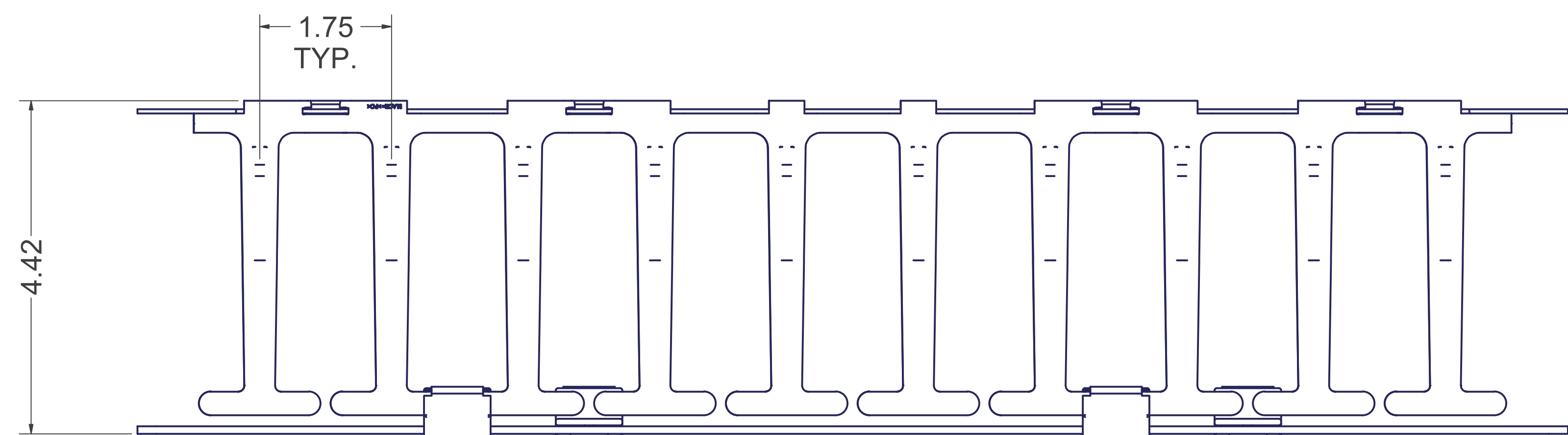
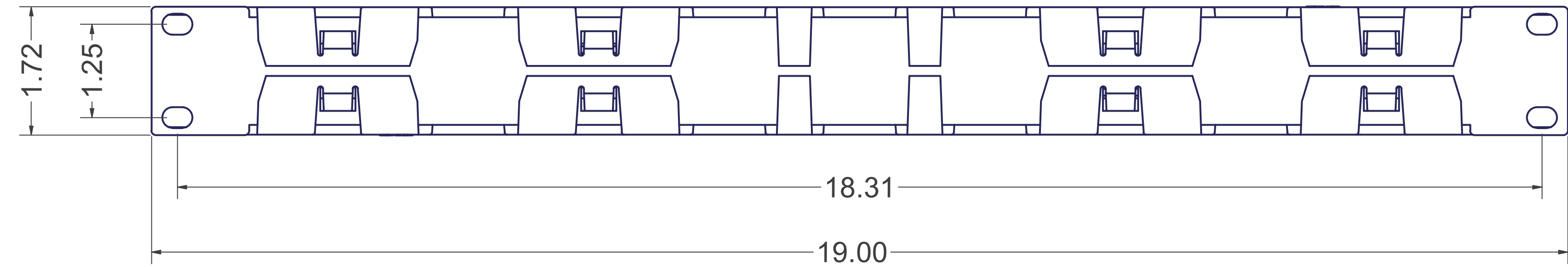
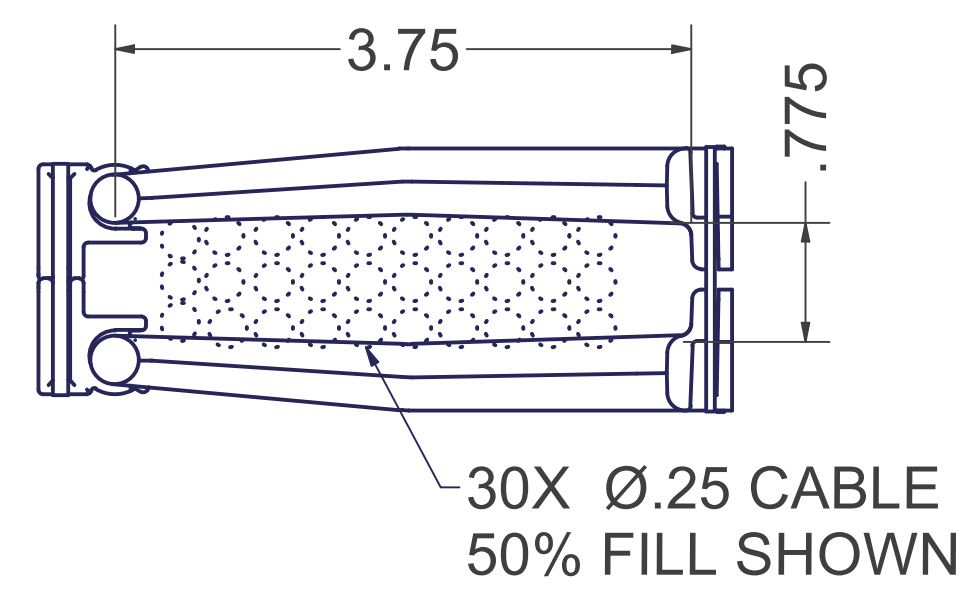


REV	DESCRIPTION	DATE	APPROVED
0	ECO-08598	9/20/2023	HAM

Bill of Material		
ITEM	DESCRIPTION	QTY
1	BASE 1U HORIZONTAL MANAGER	1
2	4" FINGER MANAGER	2
3	COVER 1U HORIZONTAL	1
4	COVER LATCH	4
5	HARDWARE KIT (4-SCREWS, 4-WASHERS)	1



VIEW WITH COVER OPENED



- NOTES:
- MATERIAL: BASE: 16G CRS WITH BLACK E-COAT
COVER: BLACK POWDER COAT, ALUMINUM
FINGER MANAGERS: BLACK FLAME RETARDANT THERMOPLASTIC
COVER RETAINER CLIPS: BLACK FLAME RETARDANT THERMOPLASTIC
 - HARDWARE KIT NOT SHOWN, BUT INCLUDED.
 - PLAIN LABEL WITH P/N AND DESCRIPTION PER GREAT LAKES

EST. WEIGHT: N/A	THIRD ANGLE PROJECTION	INTERPRET DRAWING PER ASME Y14.5M-1994 DIMENSIONAL LIMITS APPLY AFTER APPLICATION OF FINISH DRAWING NOT TO SCALE TOLERANCE UNLESS OTHERWISE NOTED: ANGULAR +/- .1" .XXXX +/- .010 .XXX +/- .015 .XX +/- .030 .X FOR REF. ONLY	NOTICE: Use of this document is subject to a confidentiality and nondisclosure agreement with Great Lakes Case & Cabinet Co., Inc. (GLCC) and may not be reproduced, disclosed or utilized in whole or in part without prior written authorization from GLCC.	PART NUMBER: CM-27	TITLE HORIZONTAL CABLE MANAGER, 1U, 4"D, SINGLE SIDED WITH COVER
		UNLESS OTHERWISE SPECIFIED ALL DIMENSIONS ARE IN INCHES		QTY PER UNIT: 1 MATERIAL TYPE: BLACK ABS & PVC MATERIAL GAUGE: FINISH:	
				DRAWN: HenryM CHECKED & APP. DATE: 9/20/2023	DWG NO: 1036845 REV: 0 SHEET: 1 OF 1