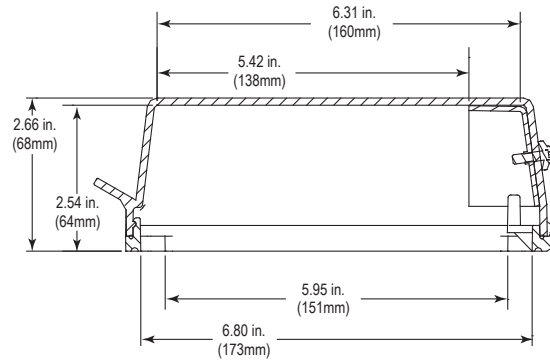
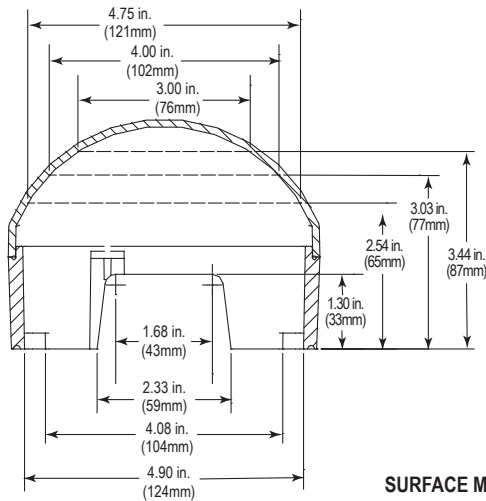


FLUSH MOUNT DIMENSIONS

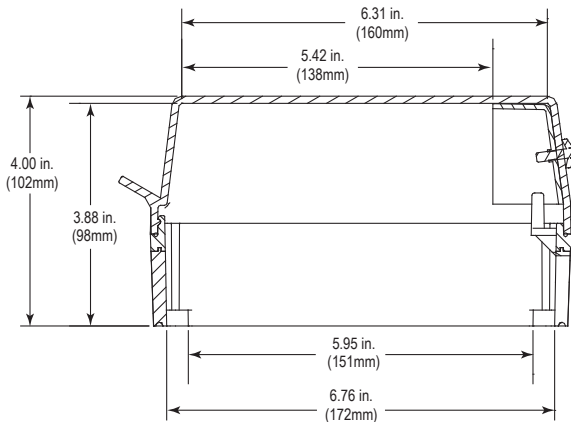


EXTERNAL DIMENSIONS

- FLUSH 5.4 W x 8.15 H x 2.66 in. D (137 x 207 x 68mm)
- SURFACE 5.4 W x 8.15 H x 4.00 in. D (137 x 207 x 102mm)



SURFACE MOUNT DIMENSIONS

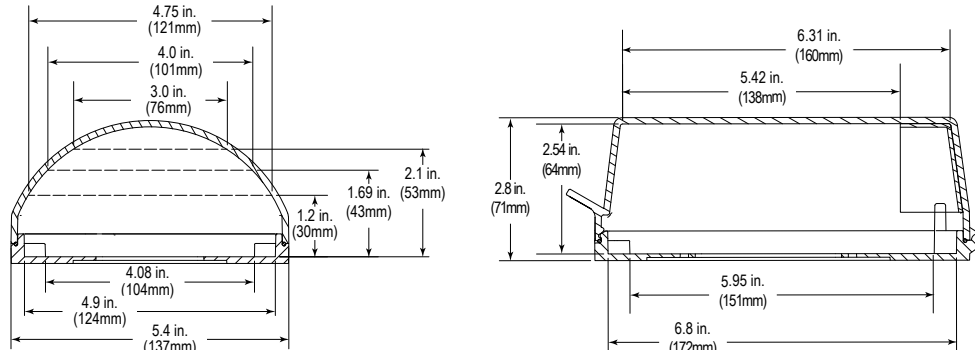


Three year warranty or a one year limited warranty (from date of purchase) on most products.
See website for details. Electronic warranty form at www.sti-usa.com/wc14.

STI-13000 SERIES UNIVERSAL STOPPER®

All specifications and information shown were current as of publication and are subject to change without notice.

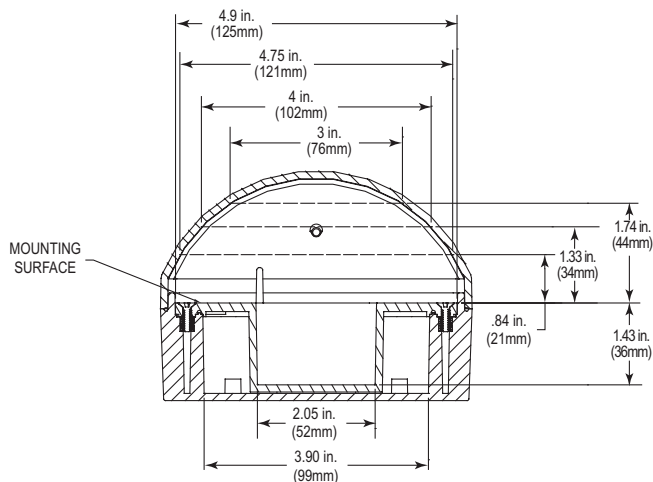
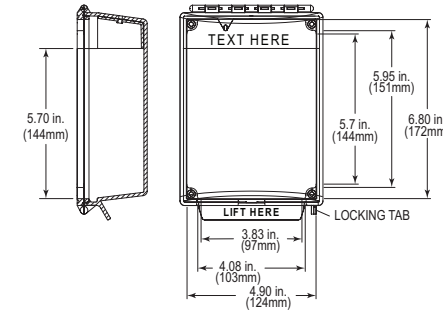




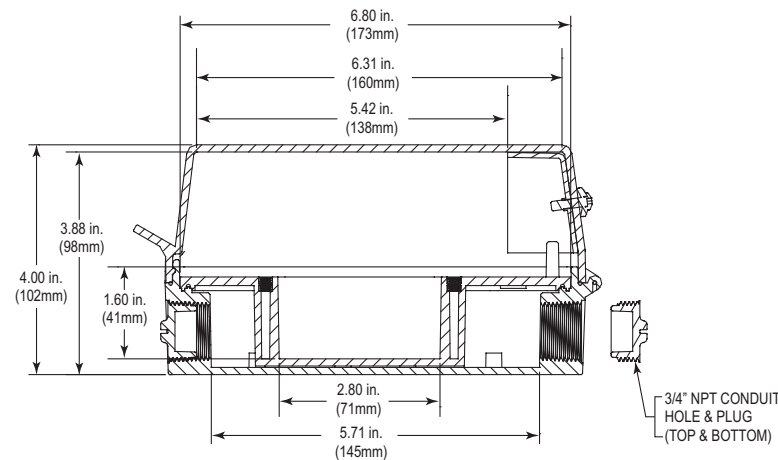
ENCLOSED FLUSH BACK BOX DIMENSIONS

EXTERNAL DIMENSIONS

- ENCLOSED FLUSH BACK BOX 5.4 W x 8.15 H x 2.66 in. D (137 x 207 x 68mm)
- ENCLOSED BACK BOX 5.4 W x 8.15 H x 4.00 in. D (137 x 207 x 102mm)



ENCLOSED BACK BOX DIMENSIONS



DIMENSIONS FOR STI-13000 SERIES UNIVERSAL STOPPER®

All specifications and information shown were current as of publication and are subject to change without notice.

