

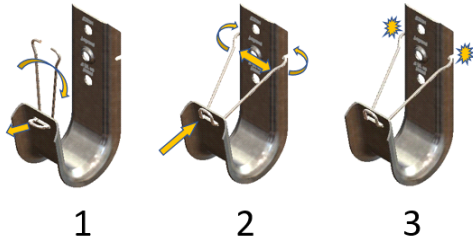


# CJ32HPBC

## 2" J-Hook with Pressed Beam Clamp Jaw Opening up to 1/2"

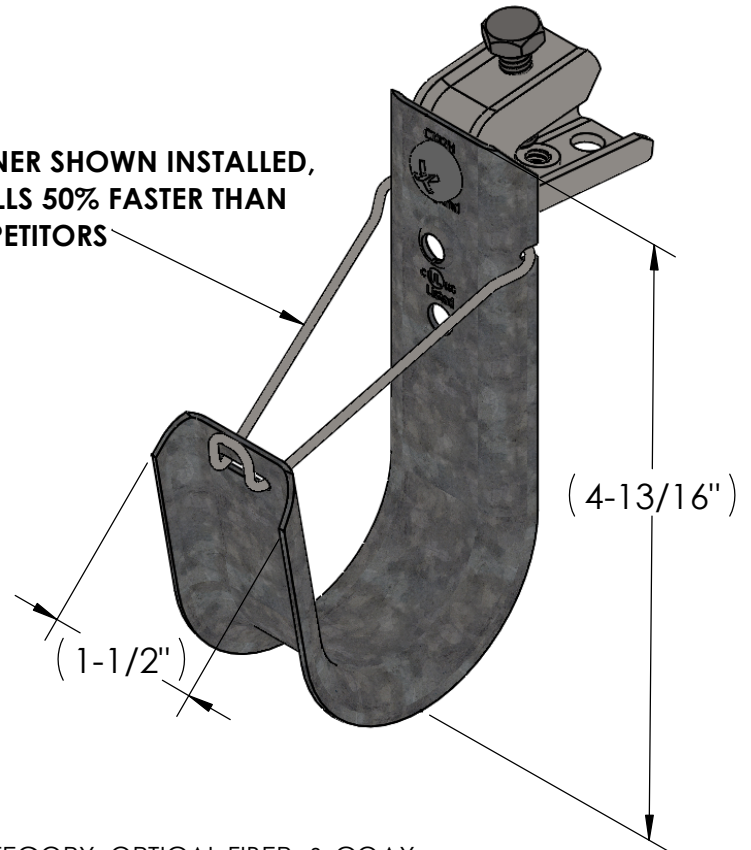


RETAINER CAN ALSO BE  
POSITIONED AS SHOWN  
DURING CABLE INSTALLATION



RETAINER INSTALLATION...  
AS EASY AS 1-2-3

RETAINER SHOWN INSTALLED,  
INSTALLS 50% FASTER THAN  
COMPETITORS



- CABLE RETAINER INCLUDED
- ADDITIONAL CABLE SURFACE AREA
- COMPLIES WITH NEC
- MEETS TIA568-E & 569-E
- WIDE BASE DESIGN FOR OPTIMUM SUPPORT
- SMOOTH BEVELED EDGES, PROVIDING STANDARD COMPLIANT BEND RADII
- RoHS compliant
- USED FOR COMMUNICATON: CATEGORY, NON-CATEGORY, OPTICAL FIBER, & COAX CABLES
- MAY ALSO SUPPORT INNERDUCT, TUBING, & CONDUIT
- COMMON CABLE TYPES (NOMINAL CAPACITY): Cat.5e  $\phi$ .19 (119), Cat.6  $\phi$ .23 (81), Cat 6A  $\phi$ .30 (48)
- MAY CONTAIN BRANCH CIRCUITS UP TO 600V: ARMORED, METAL-CLAD, NON-METALLIC SHEATHED, POWER & CONTROL, AND MODULAR METALLIC & NON-METALLIC CABLE SYSTEMS (pre-fabricated wire harnesses)

**Material: Steel**  
**Finish: Pre-Galvanized**  
**Load Test: 65 lbs**  
**FILL Area: 4.86 in<sup>2</sup>/3,137 mm<sup>2</sup>**  
**Weight: 12.5 lbs/50 pcs per box**

**Hook Opening: 2"**  
**Height: 4.79"**  
**Width: 1.5"**  
**Hole:  $\phi$ .26"**

"Copyright LNA, Inc. Drawings are proprietary and may not be copied or otherwise duplicated or used without express written permission."

CABCS1430



Legrand  
 8319 State Rt. 4  
 Mascoutah, IL 62258 USA  
 800-658-4641  
 618-566-3250  
 Fax 618-566-4978  
[www.legrand.us/cablofil](http://www.legrand.us/cablofil)