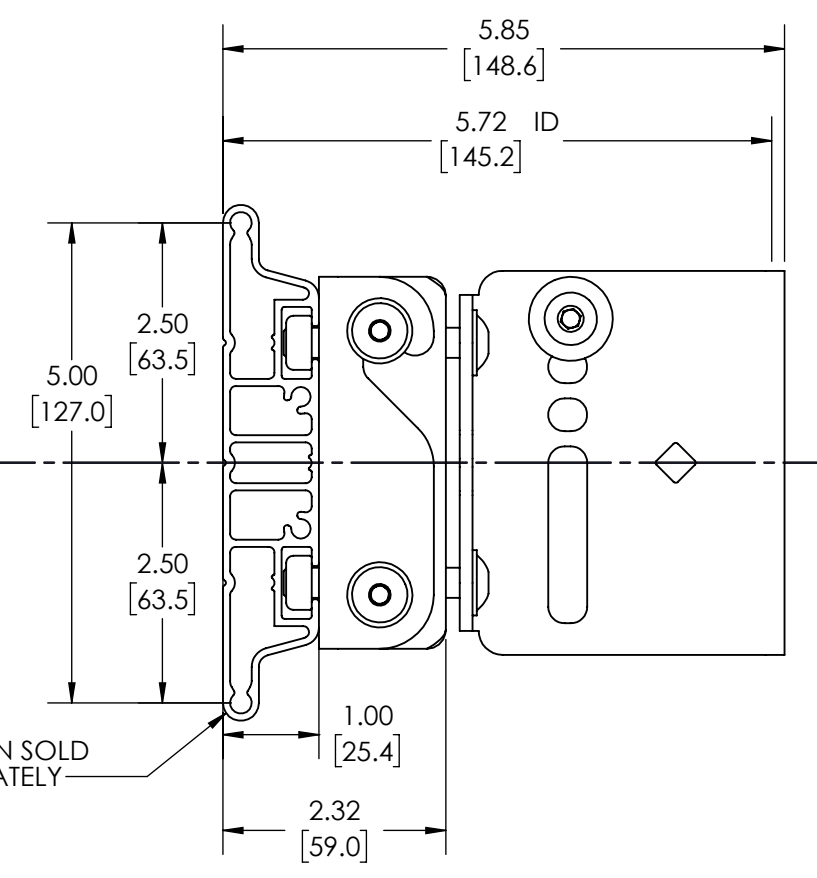


ROW CENTERLINE



EXTRUSION SOLD SEPARATELY

THE INFORMATION AND DESIGNS CONTAINED IN THIS DRAWING ARE CONFIDENTIAL AND THE PROPRIETARY PROPERTY OF LEGRAND | AV. NEITHER THIS DESIGN NOR ANY INFORMATION CONTAINED IN THIS DRAWING MAY BE REPRODUCED OR DISCLOSED TO OTHERS WITHOUT THE EXPRESS WRITTEN CONSENT OF LEGRAND | AV.

CAD GENERATED DRAWING, DO NOT MANUALLY UPDATE.		CHIEF		6436 CITY WEST PKWY EDEN PRAIRIE MN, 55344 PHONE: 866-977-3901 FAX: 877-894-6918	
DRAWN BY	MJS	9/18/2020	DESCRIPTION		
ENG APPROVAL			FMSFR, LBM COLUMN TO RAIL ADAPTER		
MFG APPROVAL			MODEL NO.		
QA APPROVAL			FMSFR		
SHEET 1 OF 1		SCALE	SIZE	DWG. NO.	REV.
		1:2	B	TECH-001099	00