



► Models 55 and 56

Resonating Horns

Models 55 and 56 are resonating horns that produce sound by means of a diaphragm, which resonates a column of air. With greater output than a vibrating horn, the resonating horn can be used wherever a louder, more powerful alert is needed.

These projectors are designed to match the frequency of the vibrating diaphragm to produce a smooth tone. The housings are tapped for 1/2" conduit.

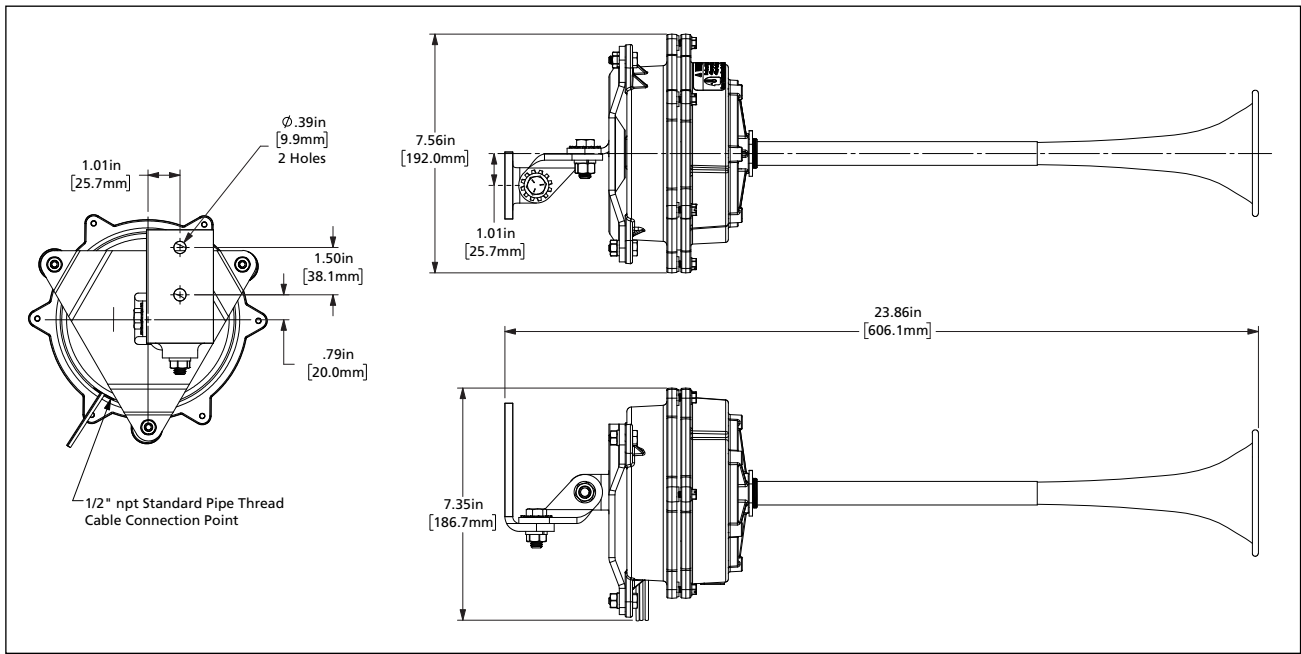
Models 55 and 56 have sufficient output to penetrate through high ambient noise levels and have a duty cycle of five minutes on, five minutes off.

FEATURES

- Model 55 - 24VAC and 120VAC
- Model 56 - 24VDC, 125VDC and 250VDC
- Model 55 produces 105 dBA @ 10' (115 dBA @ 1m)
- Model 56 produces 112 dBA @ 10' (122dBA @ 1m)
- Corrosion resistant cast aluminum housing and spun brass projector
- Indoor/outdoor use
- Weatherproof, water- and dust-tight
- Swivel bracket included
- Type 3R enclosure
- Model 55-120-1 is UL Listed and CSA Certified

MODEL	VOLTAGE	OPERATING CURRENT	DECIBELS	
			10'	1M
55-024-1	24VAC 60Hz	3.00 amps	105	115
55-120-1	120VAC 60Hz	0.75 amps	105	115
56-024-1	24VDC	3.00 amps	112	122
56-125-1	125VDC	0.25 amps	112	122
56-250-1	250VDC	0.25 amps	112	122

Resonating Horns (55 and 56)



SPECIFICATIONS

Operating Temperature:	-35°F to 150°F	-37°C to 66°C
Duty Cycle:	5 minutes ON/5 minutes OFF	
Net Weight:	5.0 lbs	2.3 kg
Shipping Weight:	6.2 lbs	2.8 kg
Height:	7.56"	192.00 mm
Width:	7.56"	192.00 mm
Length:	23.86"	606.10 mm

REPLACEMENT PARTS

Description	Part Number
Projector	K8283C071-0G
Mounting Bracket and Bulk Head Accessory Kit	K8233A046-0G

HOW TO ORDER

55	-	024	-	1
TYPE		VOLTAGE		
55		024 (24VAC)		120 (120VAC)
56	-	250	-	1
TYPE		VOLTAGE		
56		024 (24VDC)		125 (125VDC)
		125 (125VDC)		250 (250VDC)