



WALL/POLE MOUNT - INTERACTIVE VOICE COMMUNICATION UNIT

The **CB 4-s** is our basic communication unit designed for wall or pole installations in interior and exterior applications. The all-steel housing and Code Blue's speaker-phone system meet the need for a highly vandal resistant unit while providing a cost effective and reliable solution.

The exclusive analog InterAct and VoIP speakerphones are designed for maximum reliability, auxiliary functions, mass notification control, and fault monitoring and reporting capability. The optional remote mount combination LED beacon/strobe kit allows the user flexibility throughout the job.

The **CB 4-s** is a good choice for dorm and building entrances, hallways and transit centers.



STANDARD FEATURES

- ▶ Analog and VoIP speakerphone options
- ▶ ToolVox® compatible with Blue Alert® MNS and Blue Alert EMS
- ▶ IA4100
 - ▶ 2 Inputs - These are simply NO dry contact
 - ▶ 3 Outputs - Can be configured NO or NC
 - ▶ 1 Line Level Audio Output 600 ohm
- ▶ IP5000
 - ▶ 1 input - This is a NO dry contact
 - ▶ 2 Outputs - Each can ONLY be configured NO
 - ▶ 1 Line Level Audio Output 600 ohm
- ▶ 2 Auxiliary inputs/3 Auxiliary outputs (3 NO or 3 NC)
- ▶ Stainless steel faceplate
- ▶ Wall mounting kit
- ▶ 24V AC power
- ▶ Voice Identifier
- ▶ ADA compliant
- ▶ Vandal resistant hardware
- ▶ Phone line surge suppressor
- ▶ Ultra-weather resistant finish

OPTIONAL FEATURES

- ▶ Two-button speakerphone w/keypad
- ▶ Two-button speakerphone
- ▶ Custom colors and graphics
- ▶ Pole mounting hardware kit
- ▶ Remote mounted combination LED beacon/strobe kit
- ▶ Power over Ethernet
- ▶ Curb mount

RATINGS

UL	UL 60950-1 and UL 2017
IP	IP56
NEMA	4X



UNIT SPECIFICATIONS

Overall Height	13.375" (34.0 cm)
Width	10.25" (26.0 cm)
Depth	6" (15.2 cm)
Housing Material, steel	.125" (0.3 cm)
Overall Weight	30 lbs. (13.6 kg)
Standard Power Requirements	24V AC @ 5.5w max

UNIT FINISH COLORS

Standard Painted Finish	British Racing Green, Cardinal Red, Dark Bronze, Gloss White, Gloss Black, Medium Bronze, Midnight Blue, Safety Blue, Safety Red, Safety Yellow, Tiger Orange, Bright Silver
Custom Painted Finish	Custom colors from Pantone® color chart or sample are available as a special order

GRAPHICS TEXT (WORDING)

Standard	Assistance, Courtesy, Emergency, Police, Security, Information, Help Point
Custom	Custom text graphics are available as a special order

GRAPHICS TEXT COLORS

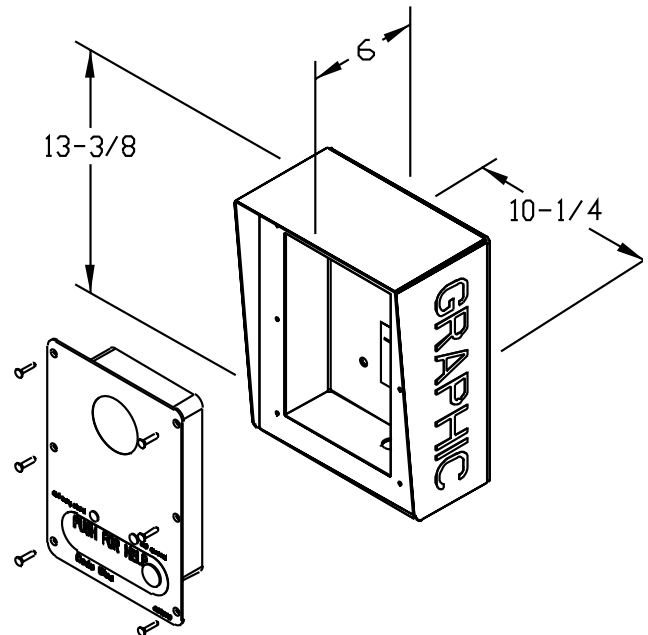
Standard (reflective decal)	Black, Blue, Green, Red, White, Yellow
Custom	Custom colors from Pantone color chart or sample are available as a special order

REMOTE MOUNT COMBINATION BEACON/STROBE

Provides a highly visual constant blue beacon and a powerful activated strobe for rapid recognition in the unit location. The remote mount feature allows placement for maximum effectiveness.

FACEPLATE OPTIONS

FP1	FP2	FP2-K
Standard faceplate assembly with single red PUSH FOR HELP button	Optional faceplate assembly with additional black INFO button	Optional faceplate assembly with additional CALL button and keypad



- Mounting hardware and template for unit is shipped in advance for foundation work.
- Specifications subject to change without notice or obligation on the part of the manufacturer.