

**MIDDLE
ATLANTIC**

A brand of **legrand**



NOTE: Rectangle and arc table models are shown.

forum[™]
COLLABORATION SUITE

Forum[™] Collaboration Suite - Arc and Rectangle Tables

Instruction Sheet

100-00123 Rev A





©2025 | Legrand AV, Inc. All rights reserved.

Information in this document is subject to change without notice. The AV equipment described in this document is furnished under a license agreement or nondisclosure agreement. The equipment may be used or copied only in accordance with the terms of those agreements. No part of this publication may be reproduced, stored in a retrieval system, or transmitted in any form or any means electronic or mechanical, including photocopying and recording for any purpose other than the purchaser's personal use without the written permission of Legrand AV.

Middle Atlantic is a brand of Legrand AV.

www.legrand.com | Phone: (866) 977-3901 | Fax: (877) 894-6918 | Email: av.middleatlantic.techsupport@legrand.com

Visit us at www.legrandav.com for firmware updates, specifications, drawings, manuals, technical support information, and more.

Middle Atlantic is a registered trademark of Legrand AV, Inc.

Legrand AV is an ISO 9001 and ISO 14001 Registered Company.

All patents are protected under existing designations. Other patents pending. For more information, refer to the Patents page on the website at www.legrandav.com/resources/patents.

All other brand names or marks are used for identification purposes and are trademarks of their respective owners.

Legrand AV Inc. Brands: Chief | Da-Lite | Middle Atlantic | Projecta | Sanus | Vaddio | Connectrac | Wiremold

TABLE OF CONTENTS

Important Safety Instructions.....	4 - 6
Supplied Components and Hardware.....	7 - 8
Required Tools.....	8
Introduction.....	8
Attaching Brackets to Table Tops.....	9
Attaching Leg Assemblies.....	10
Attaching Gusset to Legs	11
Cable Management.....	12
Attaching Rear Modesty Panel	13
Securing Modesty Panels (Optional)	14
Joining Tables (If Purchased).....	15
Installing Wiremold ModPower Options to Table (If Purchased).....	16
Installing the Power Strip (If Purchased)	17
Warranty.....	18

IMPORTANT SAFETY INSTRUCTIONS - EN

- Read these instructions.
- Heed all warnings.
- Clean only with dry cloth.
- Keep these instructions.
- Follow all instructions.
- Only use attachments/accessories specified by the manufacturer.



DANGER HAZARDOUS VOLTAGE: The lightning flash with the arrowhead symbol, within an equilateral triangle is intended to alert the user to the presence of uninsulated dangerous voltage within the product's enclosure that may be of sufficient magnitude to constitute a risk of electric shock to persons.



WARNING: A warning alerts you to a situation that could result in serious personal injury or death.



CAUTION: A caution alerts you to a situation that may result in minor personal injury or damage to the product and/or property.

NOTE: A note is used to highlight procedures pertaining to the installation, operation, or maintenance of the product.



WARNING: Failure to read, understand and follow the following information can result in serious personal injury, damage to the equipment or voiding of the warranty. It is the responsibility of the Installer/User to ensure that this product is loaded according to specifications.



WARNING: Middle Atlantic, electrical systems conform to and should be properly grounded in compliance with requirements of the current National Electrical Code or codes administered by local authorities. All electrical products may present a possible shock or fire hazard if improperly installed or used. Electrical products may bear the mark of a Nationally Recognized Testing Laboratory (NRTL) and should be installed in conformance with current local and/or the National Electrical Code.



WARNING: Exceeding the weight ratings listed can result in serious injury or damage to the equipment. It is the responsibility of the Installer/User to ensure the components installed do not surpass the weight ratings as an unstable condition can occur which may cause possible injury or damage.



CAUTION: If there is visible damage on the product, it must not be installed.



CAUTION: Safety measures must be practiced at all times during the assembly of this product. Use proper safety equipment and tools for the assembly procedure to prevent personal injury.



CAUTION: Note that during construction, there must be no possibility of personal injury, for example the squeezing of fingers or arms.



CAUTION: For loading, always put heavier items at the bottom of the bays, not near the top, in order to help prevent the possibility of the furnishing tipping over.



CAUTION: The appliance is not intended for use by young children or infirm persons without supervision.

INSTRUCCIONES DE SEGURIDAD IMPORTANTES - ES

- Lea estas instrucciones.
- Preste atención a todas las advertencias.
- Limpie solamente con un paño seco.
- Guarda estas instrucciones.
- Siga todas las instrucciones
- Utilice únicamente accesorios especificados por el fabricante.



PELIGRO VOLTAJE PELIGROSO: El rayo con el símbolo de punta de flecha dentro de un triángulo equilátero alerta al usuario de la presencia de voltaje peligroso no aislado dentro del producto que puede ser de suficiente magnitud como para constituir un riesgo de descarga eléctrica para las personas.



ADVERTENCIA: Una advertencia lo alerta sobre una situación que podría ocasionar lesiones personales graves o la muerte.



PRECAUCIÓN: Una precaución lo alerta sobre una situación que puede ocasionar lesiones personales menores o daños al producto o a la propiedad.

NOTA: Se utiliza una nota para resaltar los procedimientos relacionados con la instalación, operación o mantenimiento del producto.



ADVERTENCIA: No leer, entender y seguir la siguiente información puede resultar en lesiones personales graves, daños al equipo o anulación de la garantía. Es responsabilidad del instalador/usuario asegurarse de que este producto se carga según las especificaciones.



ADVERTENCIA: Middle Atlantic, los sistemas eléctricos se ajustan a y deben estar correctamente conectados a tierra en cumplimiento con los requisitos del actual Código Eléctrico Nacional o códigos administrados por las autoridades locales. Todos los productos eléctricos pueden presentar un posible riesgo de choque o incendio si se instalan o utilizan incorrectamente. Los productos eléctricos pueden llevar la marca de un Laboratorio de Pruebas Reconocido a Nivel Nacional (NRTL) y deben instalarse de conformidad con la corriente local y/ o el Código Eléctrico Nacional.



PRECAUCIÓN: La superación de los pesos nominales indicados puede provocar lesiones graves o daños en el equipo. Es responsabilidad del instalador/usuario asegurarse de que los componentes instalados no excedan las notas de peso como una condición inestable puede ocurrir que puede causar lesiones o daños.



PRECAUCIÓN: Si hay daños visibles en el producto, no debe ser instalado.



PRECAUCIÓN: Se deben implementar medidas de seguridad en todo momento durante el montaje de este producto. Utilizar equipos y herramientas de seguridad adecuados para los procedimientos de para evitar lesiones.



PRECAUCIÓN: Tenga en cuenta que durante la construcción no debe haber riesgo de lesiones, como por ejemplo aplastar los dedos o los brazos.



PRECAUCIÓN: Para la carga, coloque siempre artículos más pesados en la parte inferior de las bahías, no cerca de la parte superior, para evitar la posibilidad de inclinación de los muebles.



PRECAUCIÓN: El dispositivo no está diseñado para ser utilizado por niños pequeños o personas con discapacidad sin supervisión.

INSTRUCTIONS IMPORTANTES SUR LA SÉCURITÉ - FR

- Lire ces instructions.
- Respectez tous les avertissements.
- Nettoyer uniquement avec un chiffon sec.
- Conservez ces instructions.
- Suivez toutes les instructions.
- N'utilisez que des accessoires spécifiés par le fabricant.



DANGER TENSION DANGEREUSE: Le symbole de la pointe de flèche, dans un triangle équilatéral, est destiné à alerter l'utilisateur sur la présence de tension dangereuse non isolée dans l'enceinte du produit qui peut être d'une ampleur suffisante pour constituer un risque d'électrocution.



AVERTISSEMENT: Un avertissement vous avertit d'une situation pouvant entraîner des blessures graves ou la mort.



ATTENTION: Une attention vous avertit d'une situation pouvant entraîner des blessures mineures ou des dommages au produit et/ou à la propriété.



REMARQUE: Une remarque est utilisée pour mettre en évidence les procédures relatives à l'installation, au fonctionnement ou à l'entretien du produit.



AVERTISSEMENT: Refus de lire, comprendre et suivre la renseignements suivants peut traduire par de graves blessures, des dommages à l'équipement ou invalider la garantie. Il est la responsabilité de l'installateur/utilisateur de s'assurer que ce produit est chargé conformément aux spécifications.



AVERTISSEMENT: Les produits Middle Atlantic, les systèmes électriques sont conformes et doivent être correctement mis à la terre conformément aux exigences du Code national de l'électricité en vigueur ou aux codes administrés par les autorités locales. Tous les produits électriques peuvent présenter un risque d'électrocution ou d'incendie s'ils sont mal installés ou utilisés. Les produits électriques peuvent porter la marque d'un laboratoire d'essais reconnu au niveau national (NRTL) et doivent être installés conformément au code électrique local et/ou national en vigueur.



AVERTISSEMENT: Le dépassement des poids nominaux indiqués peut entraîner des blessures graves ou des dommages à l'équipement. C'est l'responsabilité de l'installateur/utilisateur de s'assurer que les composants installé ne dépassent pas les notes de poids comme un instable condition peut se produire qui peut causer des blessures ou dommages.



ATTENTION: S'il ya des dommages visibles sur le produit, il ne doit pas être installé.



ATTENTION: Des mesures de sécurité doivent être mises en œuvre en tout temps lors de l'assemblage de ce produit. Utiliser un équipement et des outils de sécurité appropriés pour la procédures de afin d'éviter les blessures.



ATTENTION: Notez que pendant la construction, il ne doit pas y avoir de risque de blessure, comme par exemple le écraser des doigts ou des bras.



ATTENTION: Pour le chargement, placez toujours des articles plus lourds au bas des baies, pas près du sommet, afin d'éviter la possibilité de basculement de l'ameublement.



ATTENTION: L'appareil n'est pas destiné à être utilisé par des enfants en bas âge ou des personnes infirmes sans surveillance.

SUPPLIED COMPONENTS AND HARDWARE

If any pieces are missing or damaged, please report it immediately to Technical Support at av.support@legrand.com or (866) 977-3901.

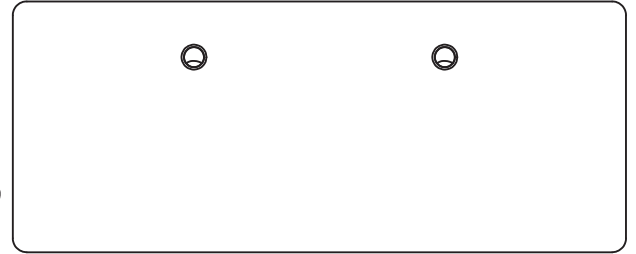
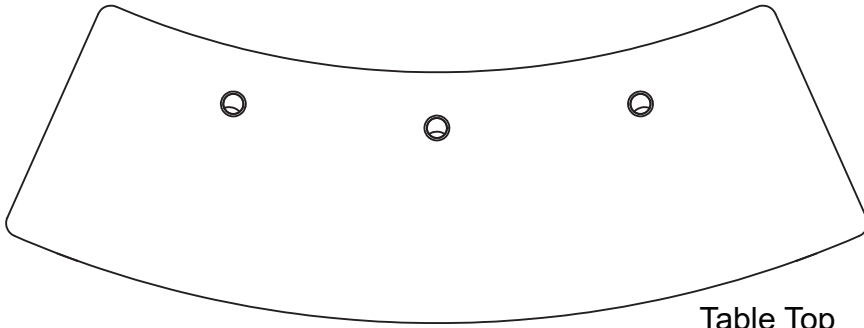
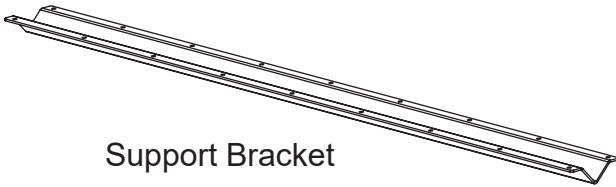


Table Top

NOTE: Available tables include arc and rectangle models. Assembly is the same for both models.



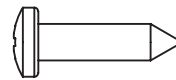
Support Bracket

B

A

TABLE TOP HARDWARE KIT: 550-00090-00000

NOTE: Additional hardware included for arc table models.



(24x)

#10 x 3/4" wood screws

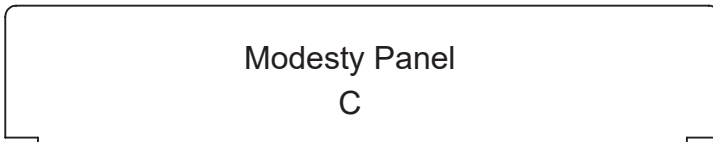
D



(6x)

#8 x 5/16" Sheetmetal Screw

E



Modesty Panel

C

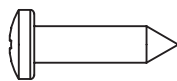
LEG ASSEMBLY HARDWARE KIT: 550-00089-00000



(12x)

10-32 Trushead Screw

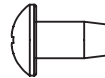
F



(8x)

#10 x 3/4" Wood screws

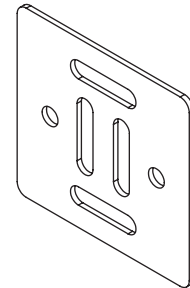
G



(12x)

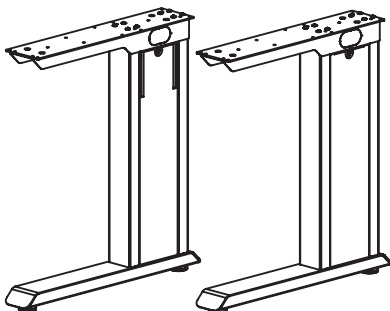
10-32 x 3/8" Philips screws

H



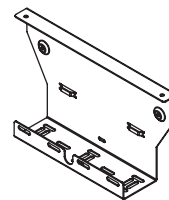
(2x) Cable Management Clip

J



Leg Assembly Pair

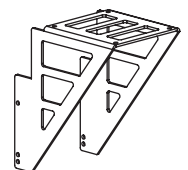
K



Model	Quantity
Arc Table	4
Rectangle Table	3

Cable Management Bracket

L

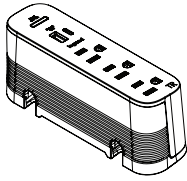


(4x) Gusset Bracket

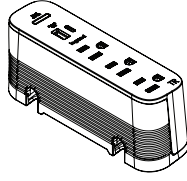
M

SUPPLIED COMPONENTS AND HARDWARE (CONTINUED)

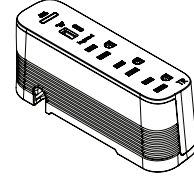
WIREMOLD ON SURFACE UNIT OPTIONS (NOT PROVIDED)



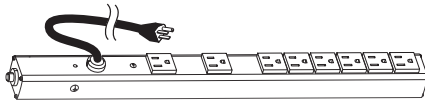
Wiremold On Surface
Primary ModPower Unit (If Purchased)
(Model Number: MDSA10-WH)



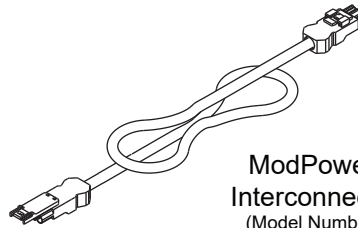
Wiremold On Surface
Middle ModPower Unit (If Purchased)
(Model Number: MDCA3-WH)



Wiremold On Surface
End ModPower Unit (If Purchased)
(Model Number: MDEA3-WH)



Power Distribution Unit
NOTE: PD-815SC shown. Power distribution unit not provided and varies based on region.



ModPower System
Interconnecting Cable
(Model Number: MDJ36BK)
NOTE: Interconnecting cable not provided.

NOTE:

- To order more hardware, contact support at av.support@legrand.com or (866) 977-3901.
- Additional hardware is included that may not be required for your installation.

REQUIRED TOOLS

- Protective Eyewear
- #2 Phillips Screwdriver
- Electric Drill
- Ratchet
- Level
- 12mm Open-ended Wrench



WARNING: Use tools with caution and follow all necessary safety protocols.

ADVERTENCIA: Utilice las herramientas con precaución y siga todos los protocolos de seguridad necesarios.

AVERTISSEMENT: Utiliser des outils avec prudence et suivre tous les protocoles de sécurité nécessaires.

INTRODUCTION

NOTE:

- Please take the time to carefully unpack and inspect all of the products you ordered and save this instruction sheet for future use.
- Maintenance and care information is provided in Care and Cleaning of Products (I-00788) and Unpacking and Handling Precautions (I-00787) for your convenience.
- All documents may be accessed at www.legrandav.com.

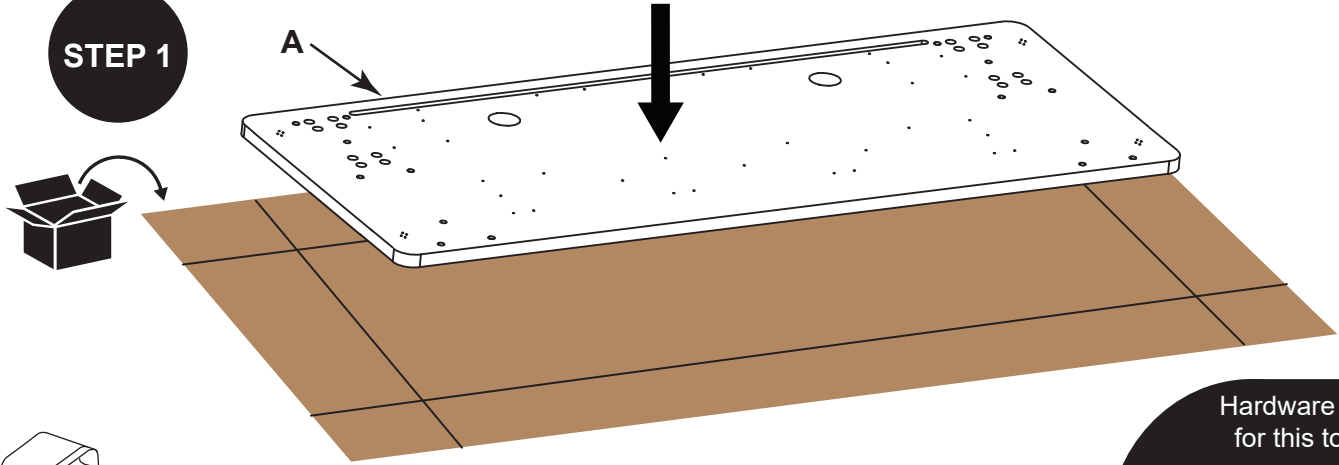
You'll also find content and additional reference covering any optional Interconnecting Cable (MDJ36BK), Wiremold On Surface Primary (MDSA10-WH), Middle (MDCA3-WH), and End (MDEA3-WH) ModPower™ Units you may have purchased.

For more information, refer to the instruction sheets provided with your product or download them anytime from the Forum™ Rectangle and Arc product page at www.legrandav.com.

ATTACHING BRACKETS TO TABLE TOPS

NOTE: The procedure is applicable to rectangle and arc tables. Rectangle table assembly is shown.

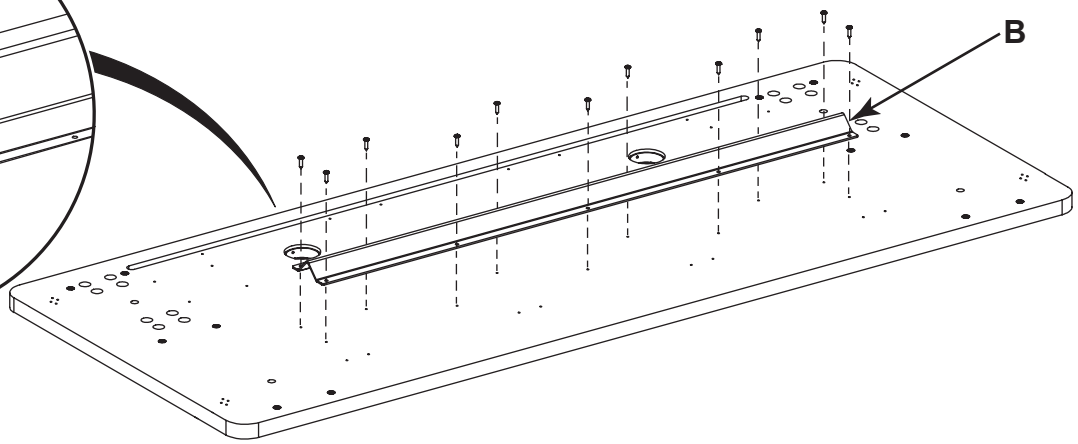
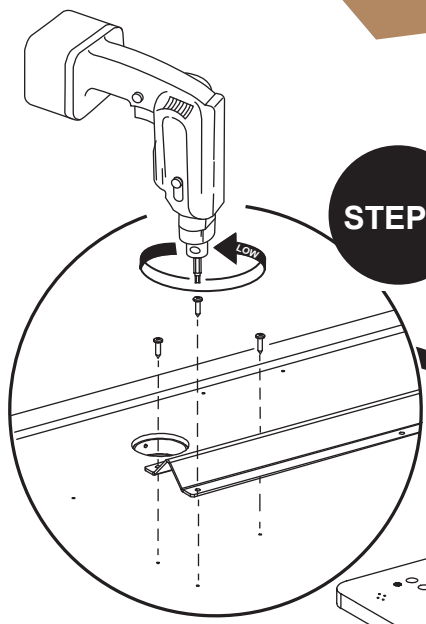
STEP 1



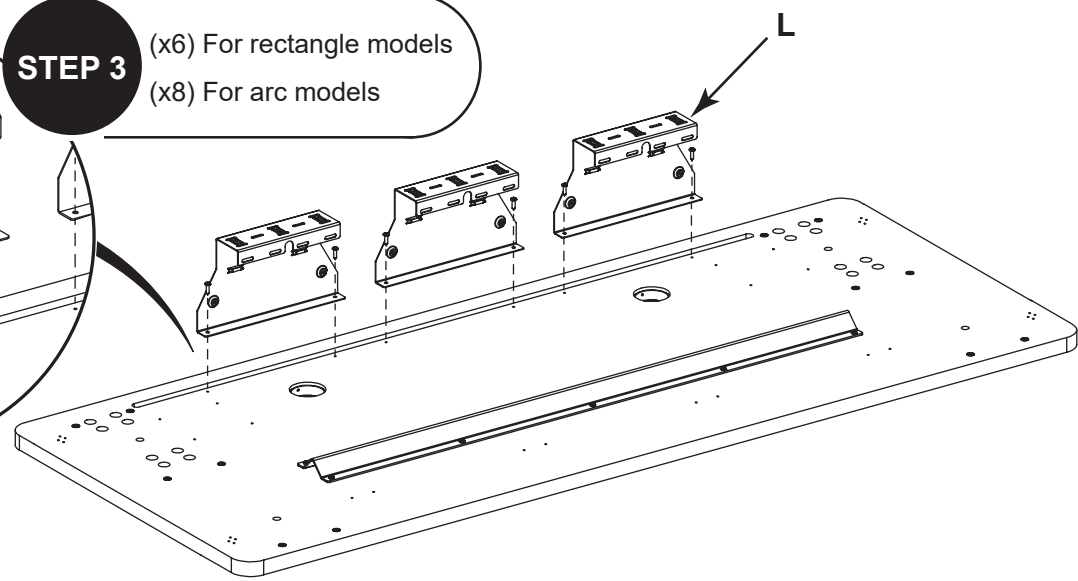
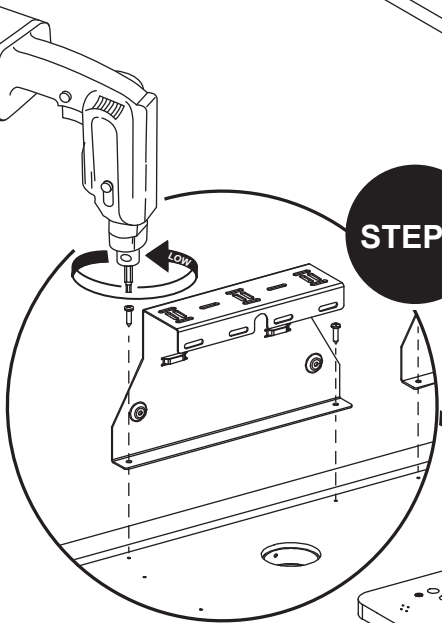
STEP 2 (x11) For rectangle models
(x15) For arc models

Hardware used for this topic.

#10 x 3/4" wood screws
D

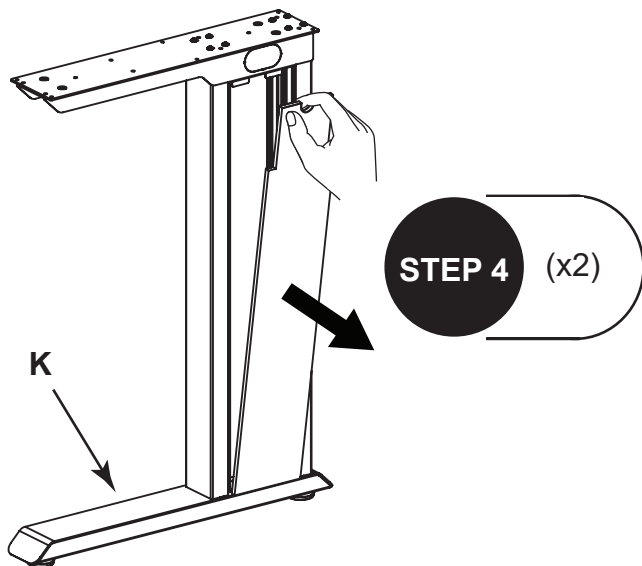


STEP 3 (x6) For rectangle models
(x8) For arc models

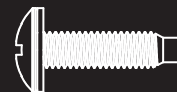


ATTACHING LEG ASSEMBLIES

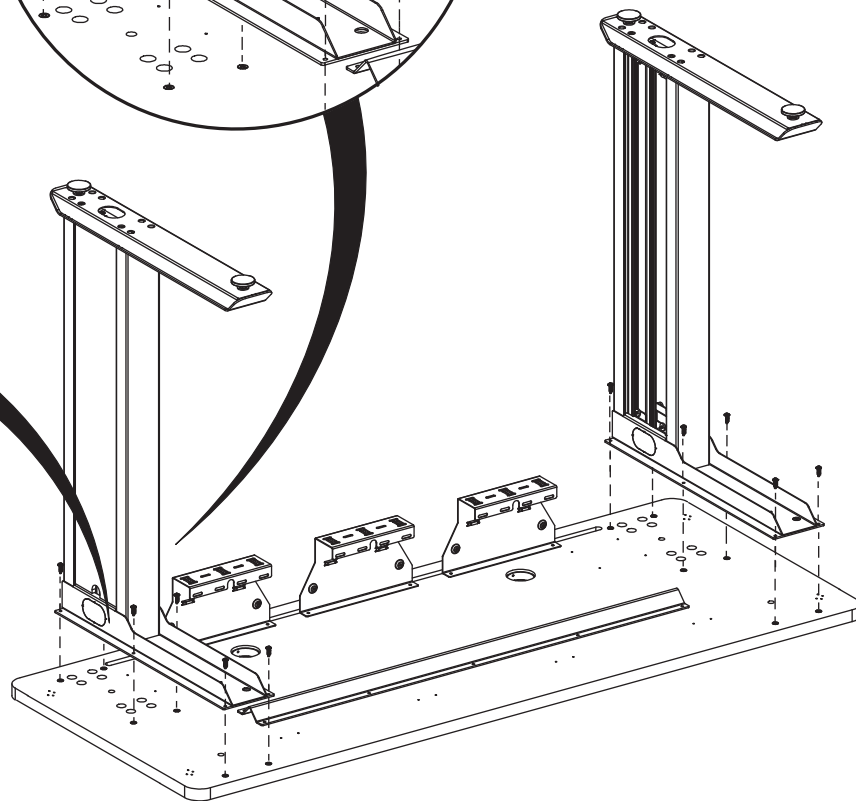
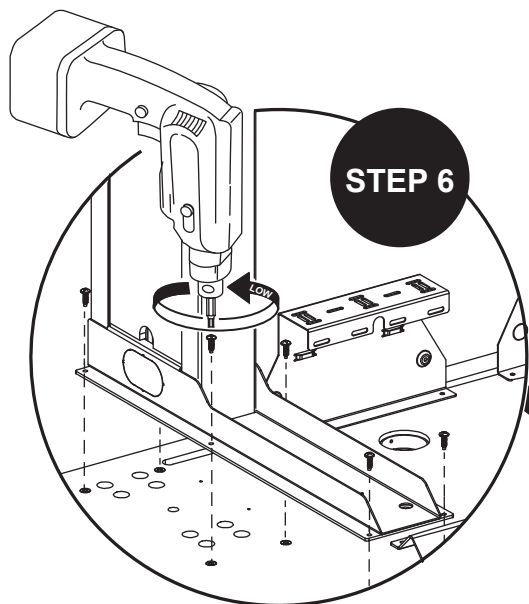
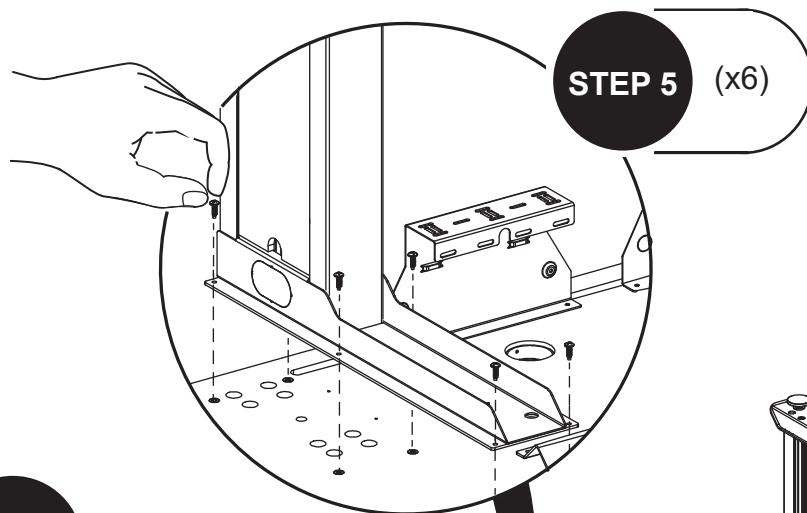
NOTE: The procedure is applicable to rectangle and arc tables. Rectangle table assembly is shown.



Hardware used
for this topic.

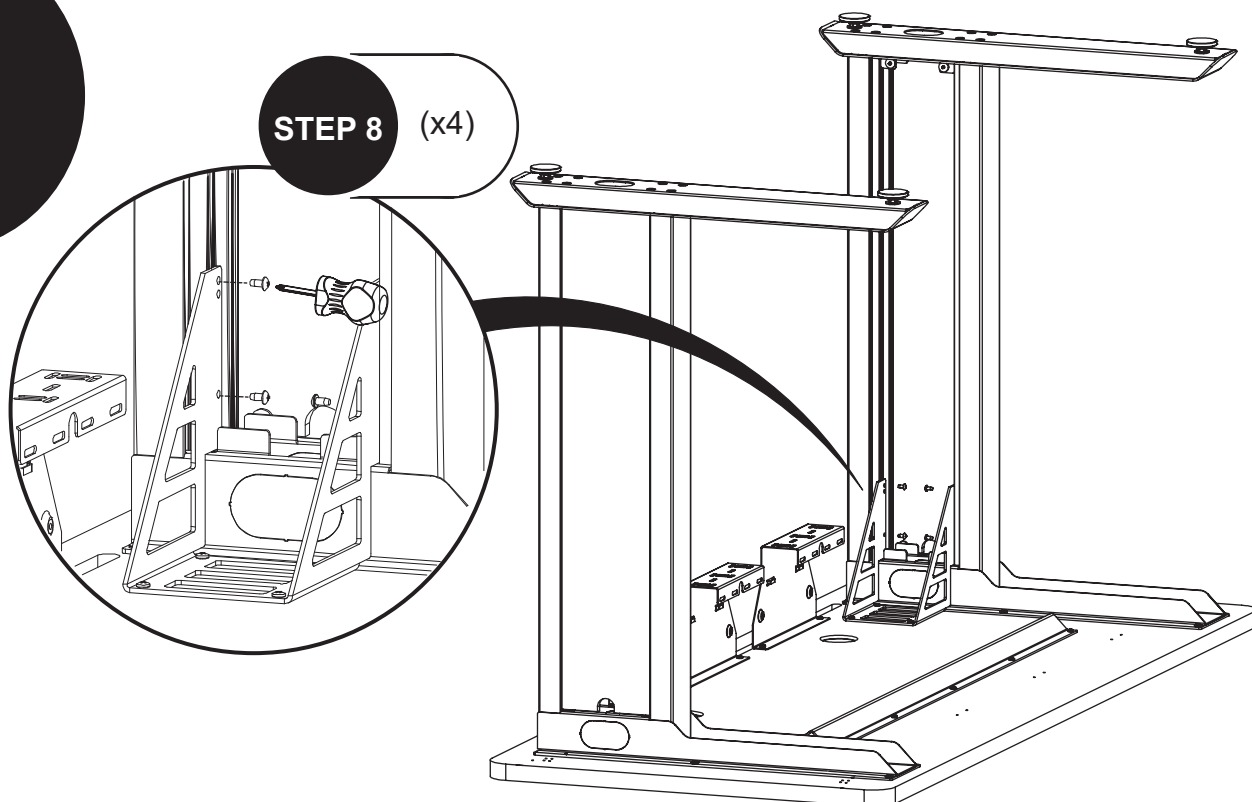
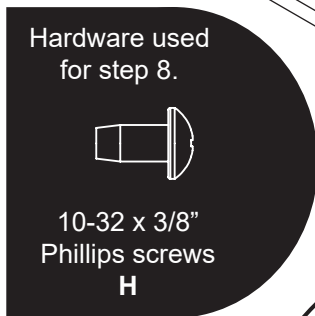
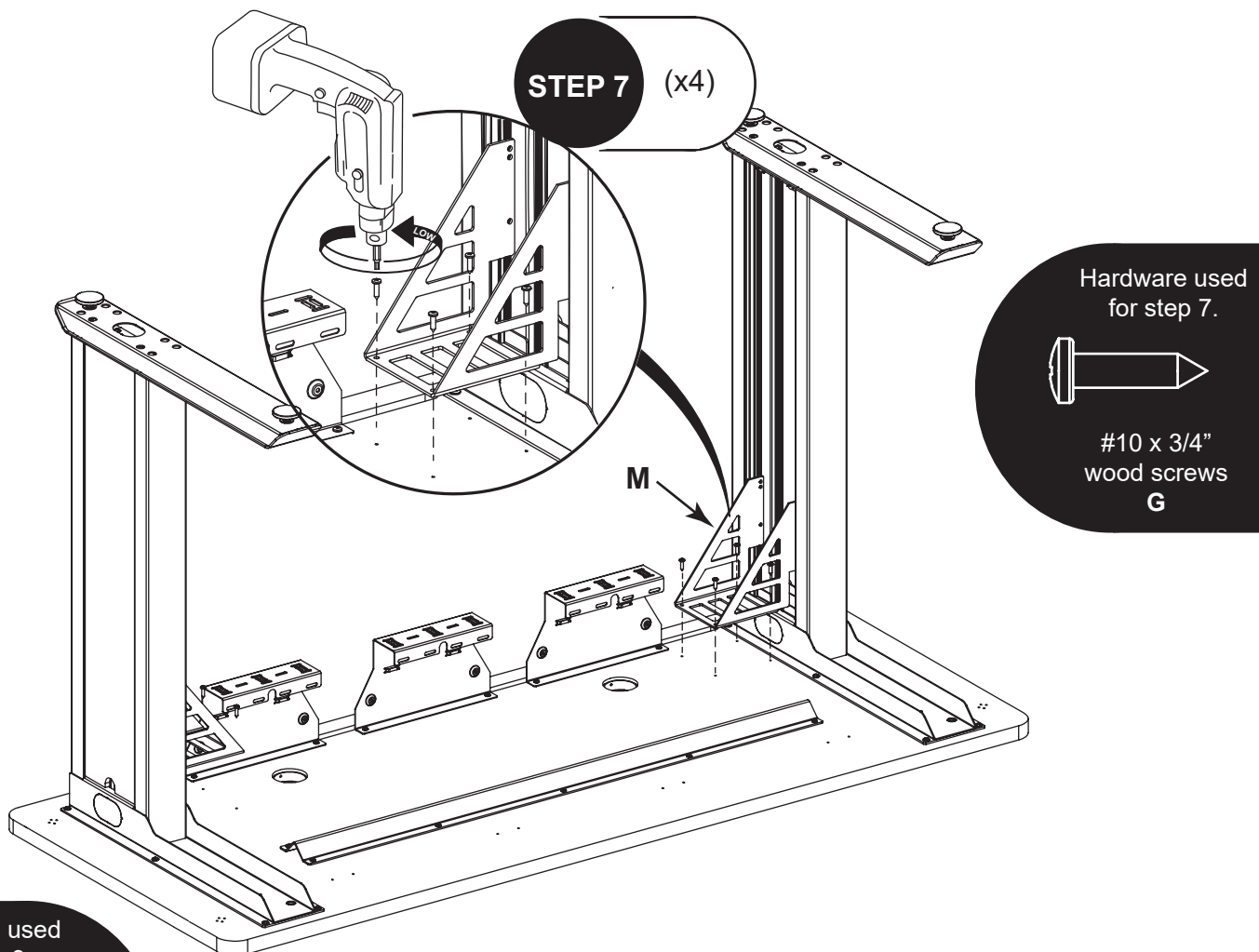


10-32 Truss-
head Screw
F



ATTACHING GUSSET TO LEGS

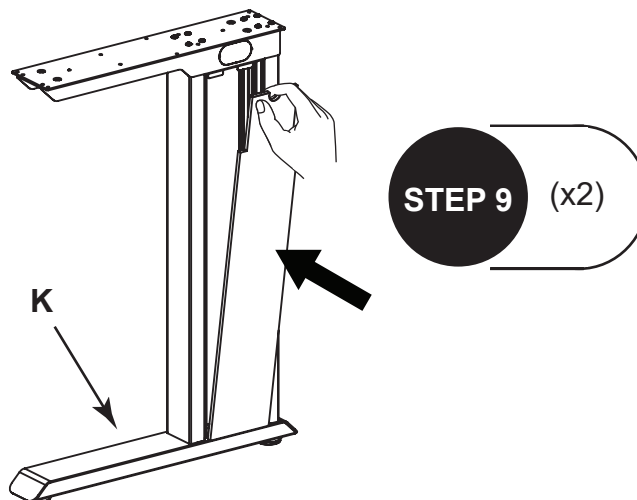
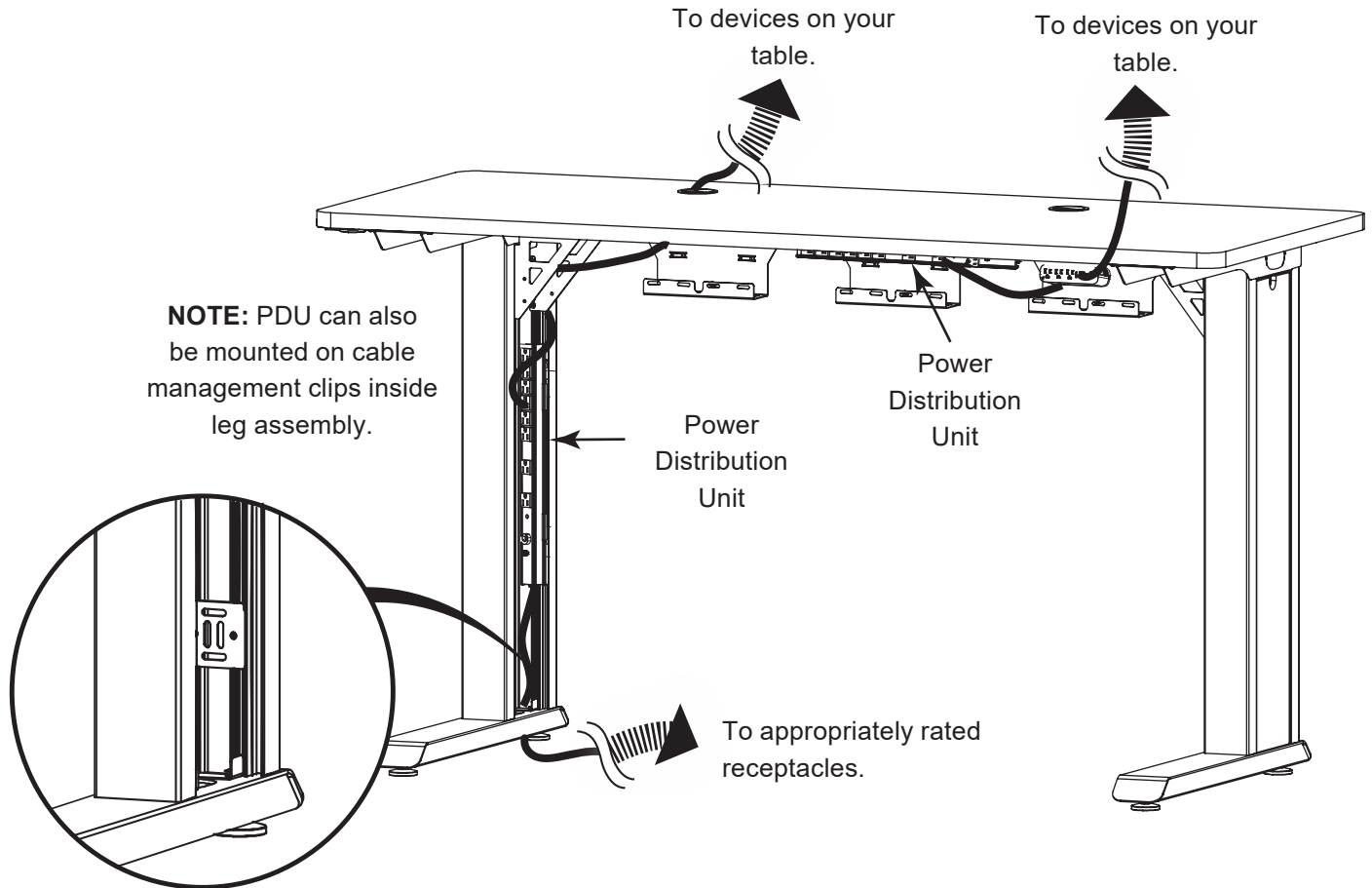
NOTE: The procedure is applicable to rectangle and arc tables. Rectangle table assembly is shown.



CABLE MANAGEMENT

NOTE:

- This topic and the image shown is meant to provide an example of routing many cables toward the leg and towards your power distribution unit (if purchased), up through pre-installed grommets to devices on your table.
- Only finalize your cable management after completing installation topics and instructions for all of the following applicable components of your table:
 - “Installing Wiremold ModPower Options to Table (If Purchased)” on page 16.
 - “Installing the Power Strip (If Purchased)” on page 17.
- Carefully route all cords and cables through sections of your fully assembled table.



ATTACHING REAR MODESTY PANEL

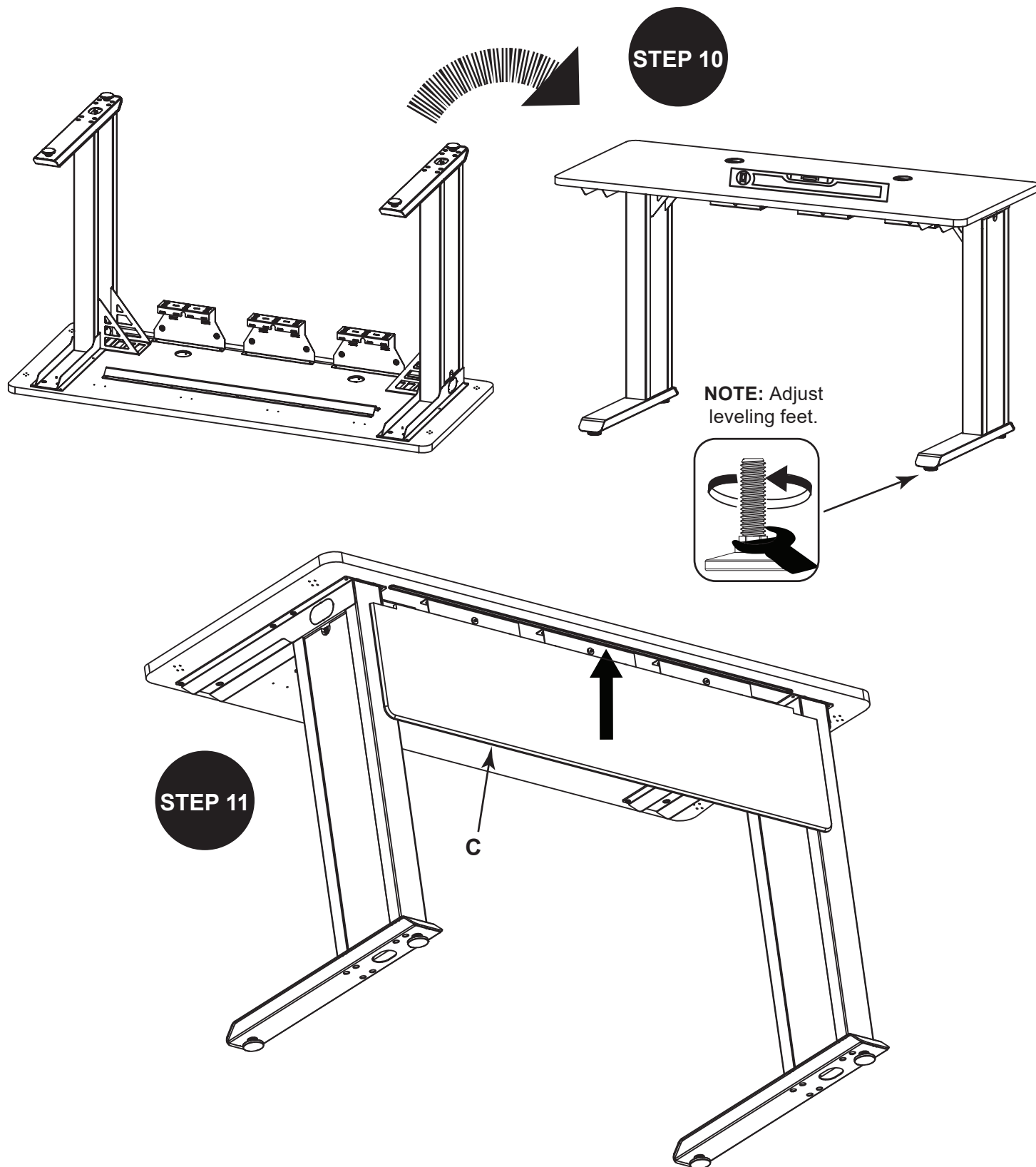
NOTE: The procedure is applicable to rectangle and arc tables. Rectangle table assembly is shown.



WARNING: This procedure requires at least one additional person.

PRECAUCION: Este procedimiento require mas de una persona.

AVERTISSEMENT: Cette procédure nécessite au moins une personne supplémentaire.



SECURING MODESTY PANELS (OPTIONAL)

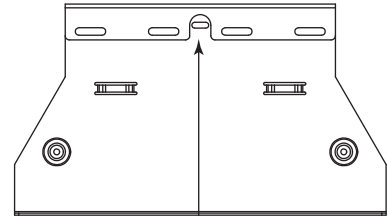
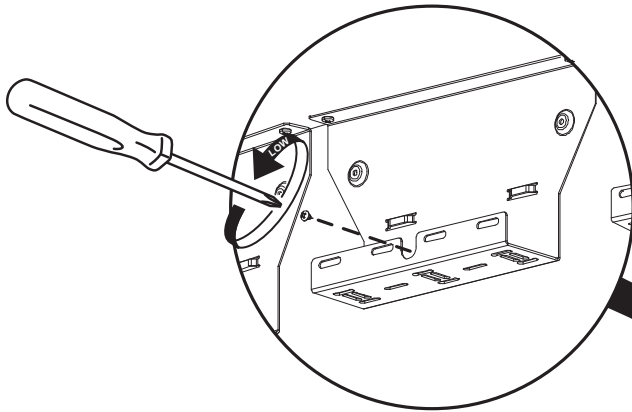
NOTE:

- The procedure is applicable to rectangle and arc tables. Rectangle table assembly is shown.
- It is strongly recommended to secure your modesty panel, as shown.
- Obround slot on the back of the cable management bracket provides space to adjust panel, if needed.

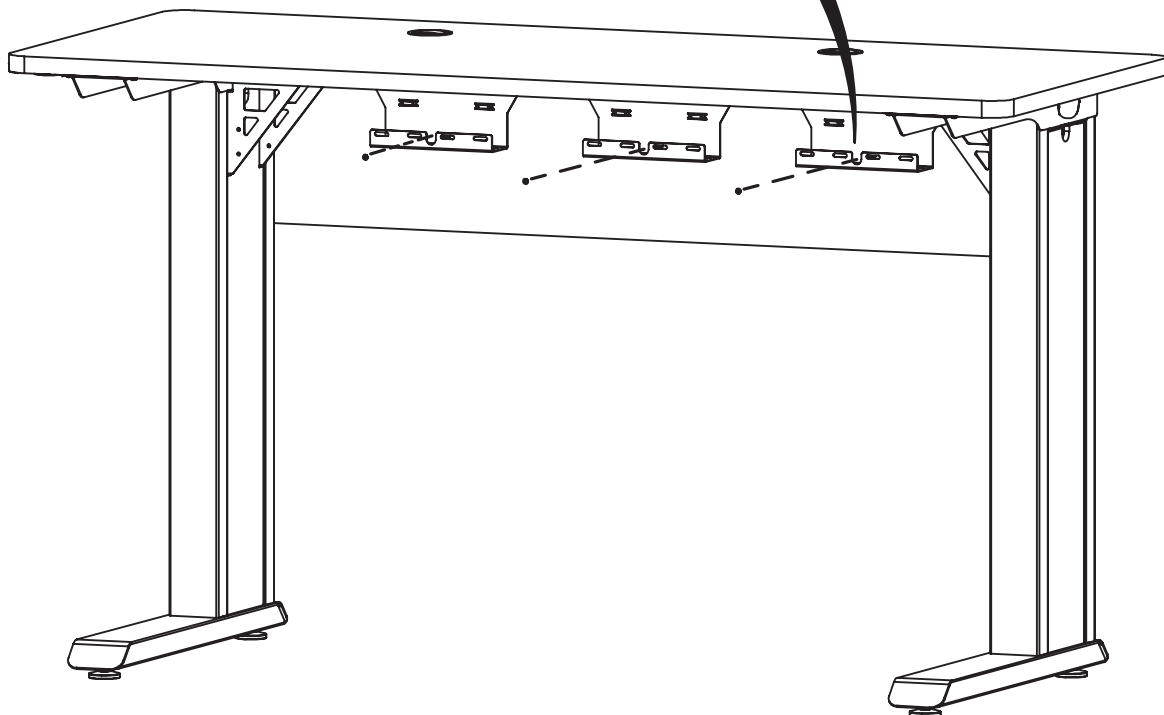
Hardware used
for this topic.




#8 x 5/16"
Sheetmetal Screw
E



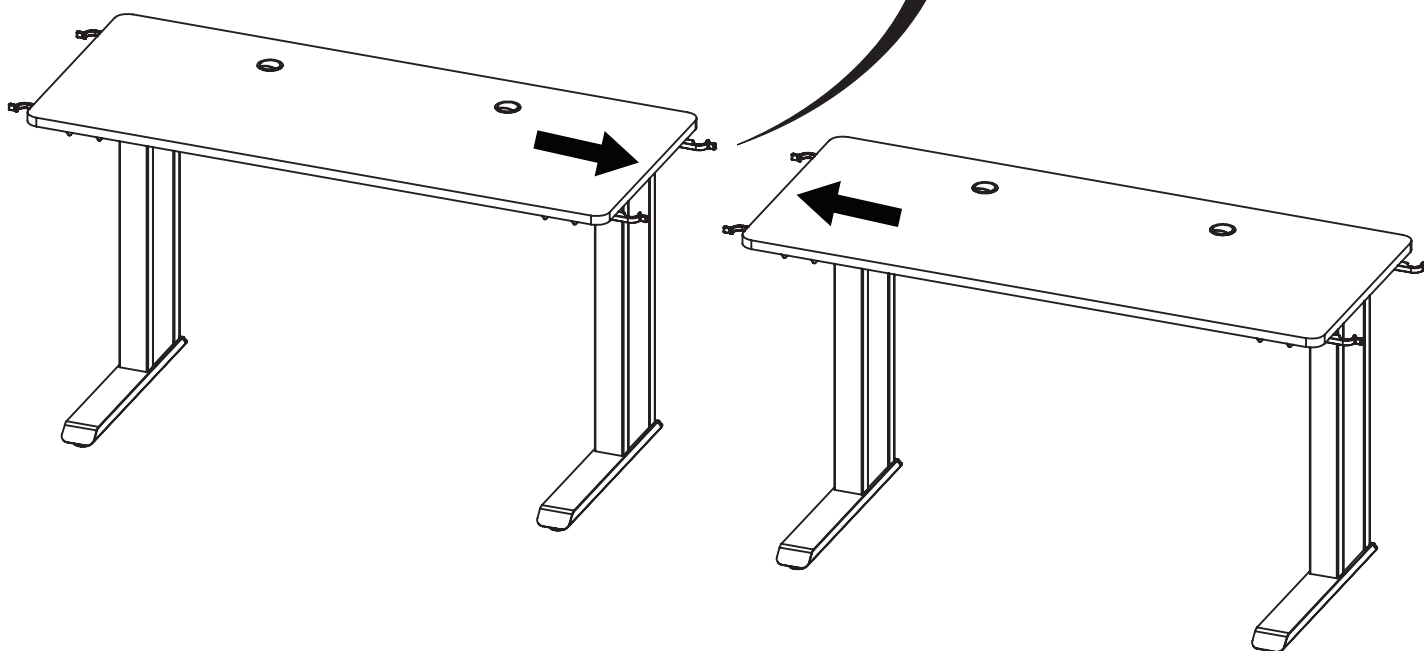
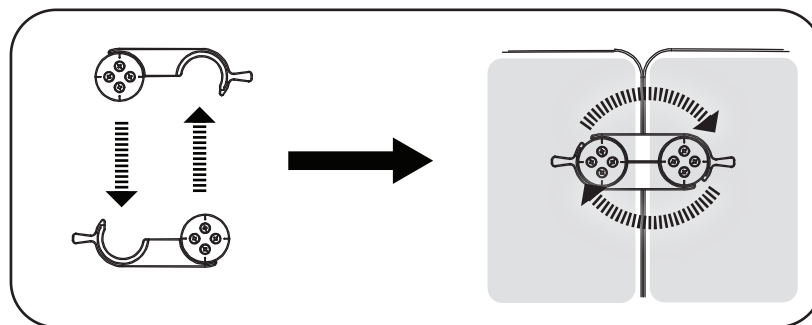
NOTE: Obround slot provides
space to adjust panel, if
needed.



JOINING TABLES (IF PURCHASED)

 **WARNING:** This procedure requires at least one additional person.
PRECAUCION: Este procedimiento require mas de una persona
AVERTISSEMENT: Cette procédure nécessite au moins une personne supplémentaire.

NOTE: The procedure is applicable to rectangle and arc table models whether coupled as different or identical pairs.



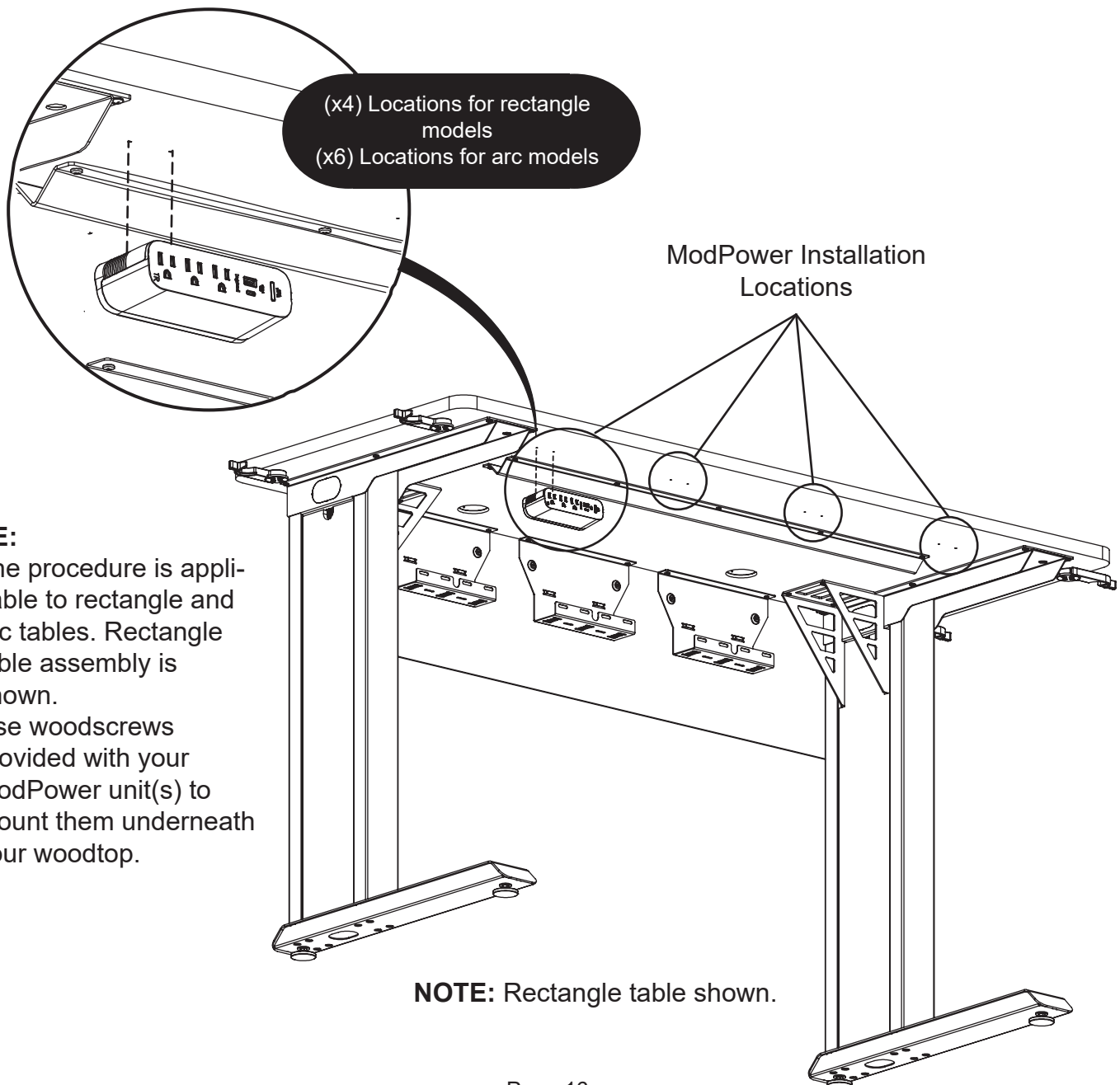
INSTALLING WIREMOLD MODPOWER OPTIONS TO TABLE (IF PURCHASED)

NOTE:

- If purchased, a primary ModPower unit is required to run any additional middle and end units.
- A single primary unit may run power to an additional 7 units (for a maximum of 8 total).
- Adjacent ModPower units must be mounted less than or equal to 6' (305mm) apart to accommodate the cable length provided.
- A maximum of 6 ModPower units may be connected together.
- The total system length from the plug to the end of the last unit must not exceed 48.5".
- Only one interconnecting cable may be used between each set of modules

Refer to corresponding On Surface ModPower installation instructions for Primary (MDSA10-WH), Middle (MDCA3-WH), and End (MDEA3-WH) options (not provided) and ModPower Interconnecting Cable (MDJ36BK) options at www.legrandav.com.

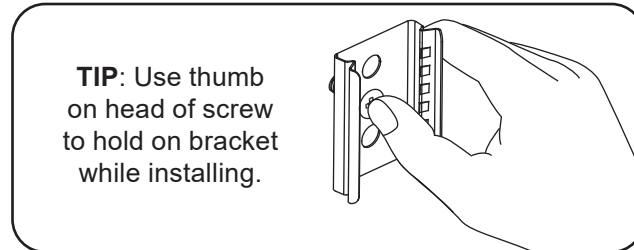
The ModPower installation instructions provide details for under-table screw-in mounting and how to correctly wire the units. If purchased, the Interconnecting Cable provides extra cord length when needed.



INSTALLING THE POWER STRIP (IF PURCHASED)

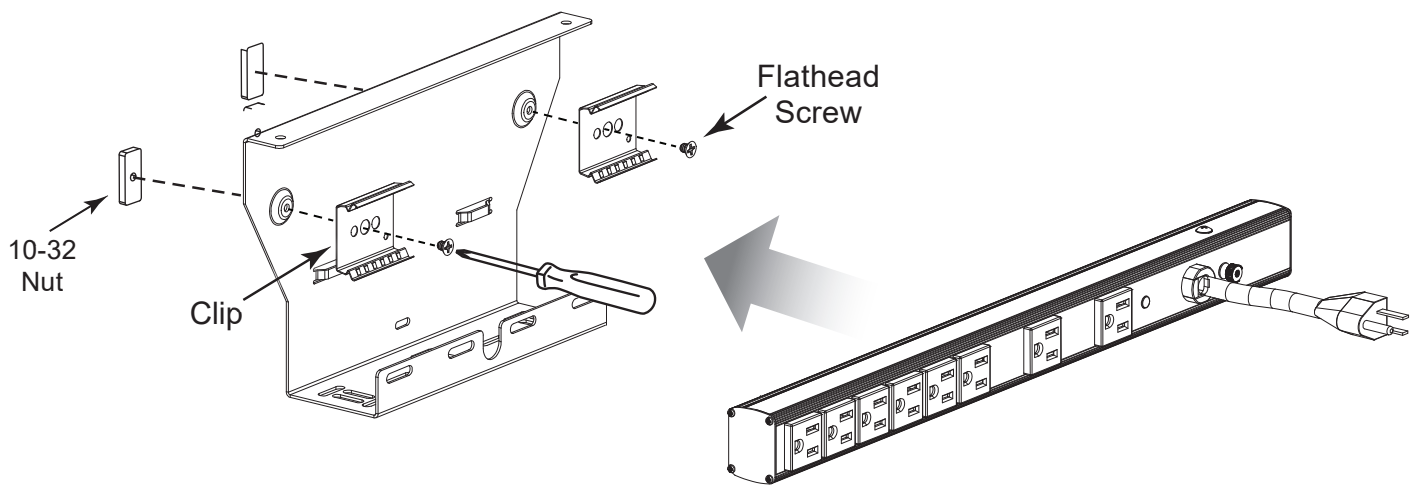
NOTE:

- If purchased, follow the instructions below to mount your power strip. Region specific power strip is not provided.
- Consider power requirements and cable management for your specific installation when deciding which section of the table to install your power strip on.

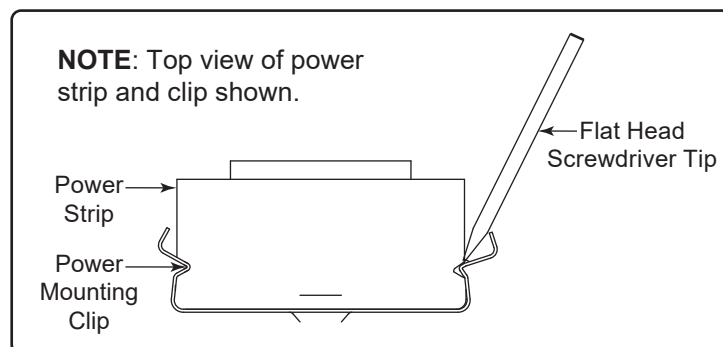


NOTE:

- The power distribution unit can be installed on cable management brackets or on cable management clips (J) inside of leg assembly.
- Power distribution unit mounted on Cable management brackets is shown.



TIP: Remove the power strip from the power mounting clips by wedging a flat head screwdriver between the side of the power strip and mounting clip, and gently pry them from each other as shown.



WARRANTY

For warranty information, refer to www.legrandav.com/policies/warranty_information.

Contacting Corporate Headquarters

P: (866) 977-3901 | F: (877) 894-6918 | www.legrandav.com | av.support@legrand.com

Contacting Middle Atlantic Canada

P: (888) 766-9770 | F: (888) 599-5009 | ca.middleatlantic.com | av.canada.customerservice@legrand.com

Contacting Middle Atlantic Europe, Middle East, and Africa (EMEA) Technical Support

P: +31 495-726-003 | av.emea.middleatlantic.support@legrand.com

United States (US)

Legrand | AV Headquarters
6436 City West Parkway
Eden Prairie, MN, 55344, USA

European Union (EU)

Legrand AV Netherlands
B.V. Franklinstraat 14 6003
DK, Weert, Netherlands

United Kingdom (UK)

Starline Holding Technology Ltd.
(Authorized Representative)
Unit C, Island Rd.
Reading RG2, 0RP- UK

At Legrand AV Inc. we are always listening. Your comments are welcome.

Legrand AV is an ISO 9001 and ISO 14001 Registered Company.

MIDDLE ATLANTIC®

A brand of  **legrand®**