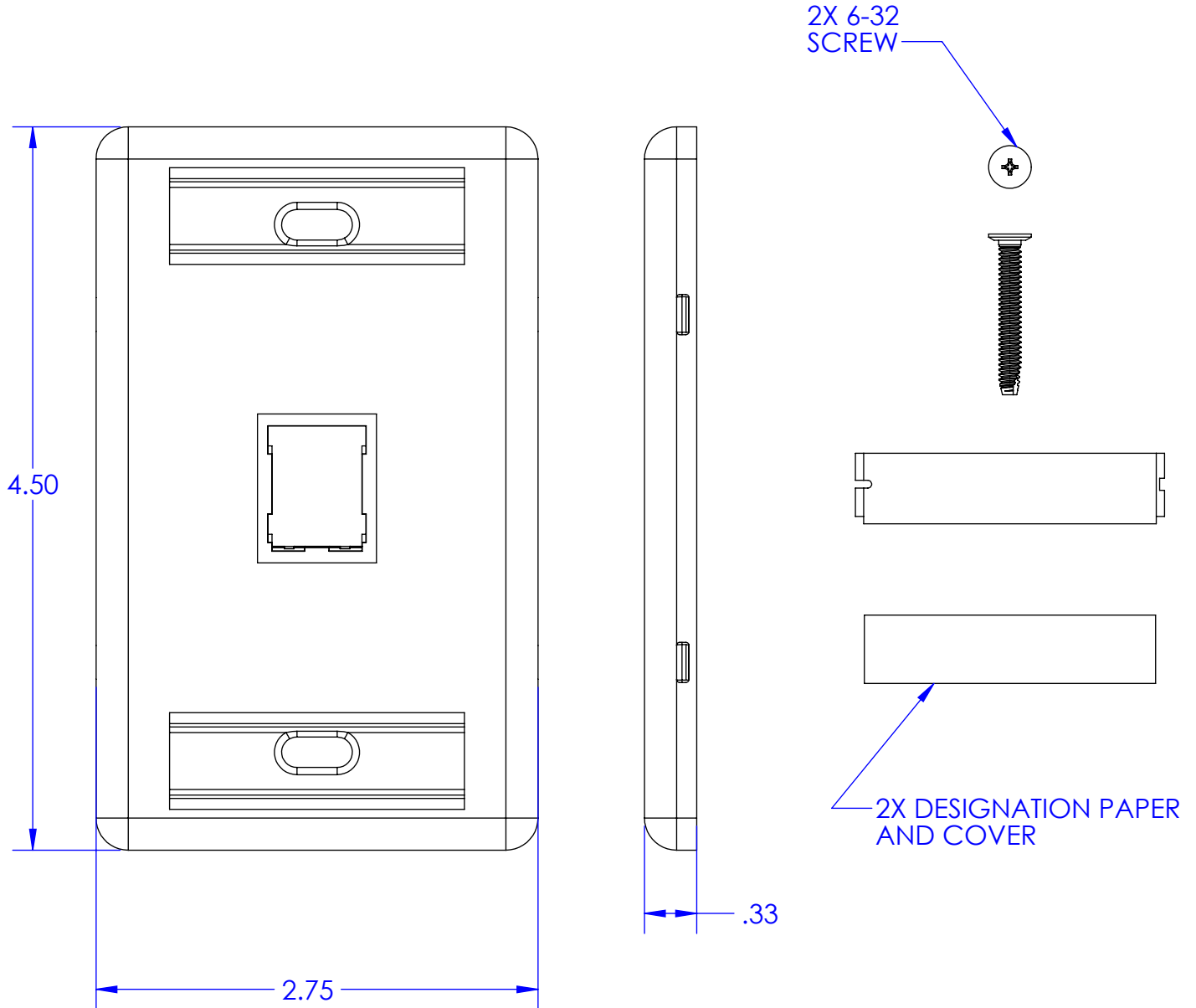


NOTES:  
 1. ALL DIMENSIONS ARE IN INCHES.



<p>*** NOTICE ***          THIS DOCUMENT CONTAINS CONFIDENTIAL AND/OR PROPRIETARY INFORMATION INTENDED FOR USE ONLY BY THE INDIVIDUAL(S) PROVIDED. NEITHER THIS DOCUMENT, NOR ANY INFORMATION CONTAINED HEREIN, MAY BE COPIED, DISTRIBUTED, DISCLOSED TO ANY THIRD PARTY OR USED IN ANY MANNER OTHER THAN FOR WHICH IT HAS BEEN PROVIDED, WITHOUT THE PRIOR WRITTEN CONSENT OF LEGRAND. MANUFACTURING RELEASE. PRODUCT SPECIFICATIONS AND STANDARDS ARE SUBJECT TO CHANGE WITHOUT NOTICE.</p>					<a href="http://WWW.LEGRAND.US">WWW.LEGRAND.US</a>	
<p>TITLE</p> <p>HDJ, SS PLATE, 1 GANG, 1 PORT ASSEMBLY</p>						
DWN	KL	06/13/2024	SIZE A	CAD FILE 403SHDJ11C	DWG NO 403SHDJ11	REV 00
CHK	DP	06/14/2024	SCALE 1:1	SHEET 1 OF 1		
APPR	JF	06/19/2024				