

Concrete Concealed Switch

WWW.GRISK.COM



4510 Series

- ◆ Switch protected from heavy equipment
 - ◆ Two Alnico magnet styles
 - ◆ 3" stainless steel armored cable
 - ◆ Mounting hardware included



4510A



4510AU

Part Numbers

4510A	3 1/2" Gap	SPDT
4510AU	3 1/2" Gap	SPDT

Perhaps the best way to protect overhead door contacts from industrial motorized traffic like forklifts and large trucks is to recess or bury them into the concrete floor, allowing vehicles of this type to safely pass over them totally unaffected.

The GRI 4510 switch series has been designed from the ground up, so to speak, for just such an application. The 4510 series features all stainless steel construction for maximum resistance to corrosion and has a wide working gap for those loose or badly worn overhead doors.

GEORGE RISK INDUSTRIES, INC.
G.R.I. PLAZA
KIMBALL, NE 69145

WWW.GRISK.COM



111

1-800-445-5218
1-800-523-1227
(308) 235-4645
FAX (308) 235-3561
E-MAIL: sales@grisk.com

Concrete Concealed Switch



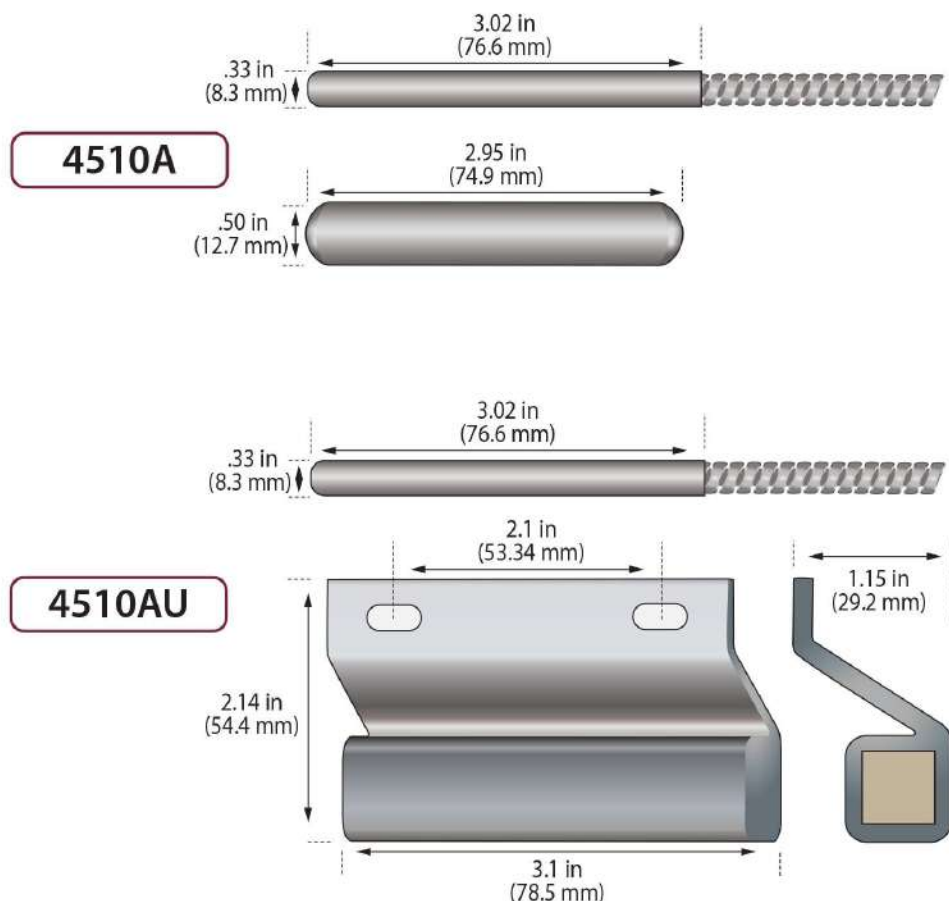
WWW.GRISK.COM

INSTALLATION APPLICATIONS

To best visualize the installation process, it is recommended we temporarily mount the magnet to the door. Remember to choose a mounting point that will require a minimum amount of concrete removal.

Place switch on floor, testing the position of the switch to magnet. It is recommended that 1" to 1 1/4" be used as the operational distance. Making this switch position with a marker, we can now begin chipping out concrete.

A channel approximately 1/2" to 3/4" deep and 1/2" wide will be sufficient. Place the switch in the opening and retest to confirm adequate gap. Apply concrete patch to contain and cover magnetic door switch and cable. Retest for positive operation by opening and closing the overhead door.



GRI PRODUCTS MEET OR EXCEED THESE MINIMUM GENERAL SPECIFICATIONS:

Part Number	Loop Type Closed	Electrical Configuration	Reed Form	Max. Initial Contact Resistance (Ω)	Max. Contact Rating (W)	Max. Switching Voltage (VDC)	Max. Switching Current (A)
4510A	Open/Closed	SPDT	C	.140	5	175	.250
4510AU	Open/Closed	SPDT	C	.140	5	175	.250

WARRANTY: Lifetime warranty against workmanship, material and factory defects.

GEORGE RISK INDUSTRIES, INC.
G.R.I. PLAZA
KIMBALL, NE 69145

WWW.GRISK.COM



1-800-445-5218
1-800-523-1227
(308) 235-4645
FAX (308) 235-3561
E-MAIL: sales@grisk.com