

WALL MOUNT FLAT PACK

FAST ASSEMBLY AND OPEN DESIGN FOR EASY EQUIPMENT INSTALLATION

Fan Assembly
Optional fan

Side Panel
Swings outward



Flat Pack

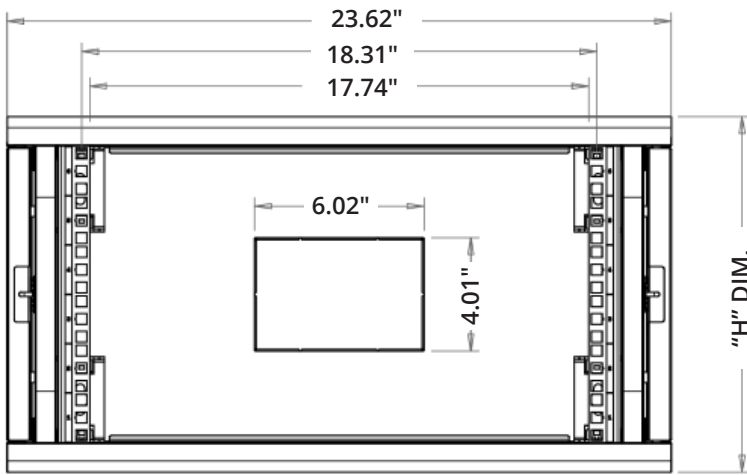
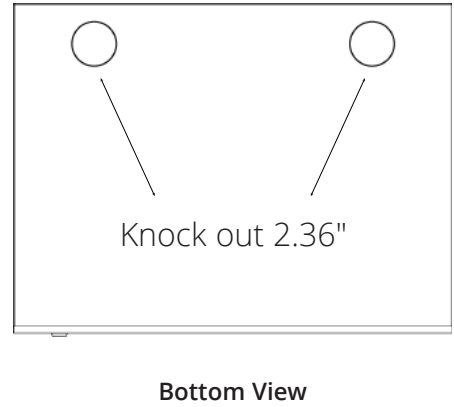
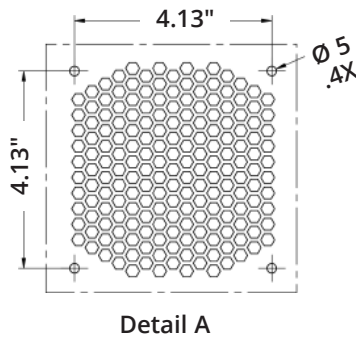
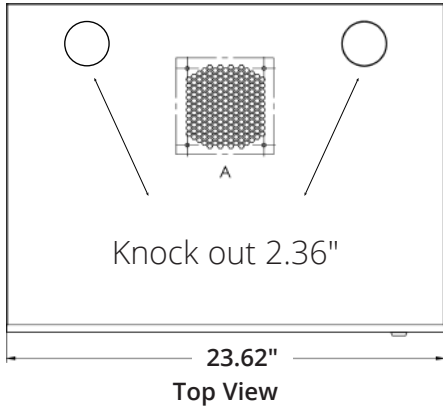
Ships flat packed and assembles in less than 5 minutes--no tools required!

Reversible Mesh Door
with keyed lock

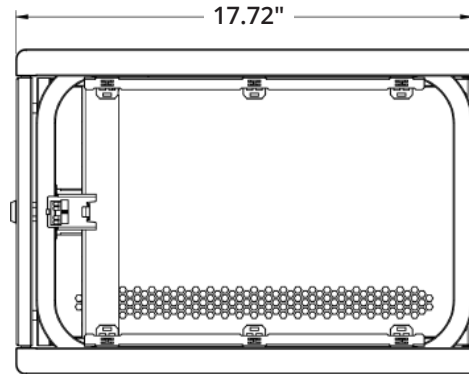
Part No.	RMU	H	W	D	Usable Depth	Max. Rail Depth	Door
GL06WMFP-B	6	12.63"	23.62"	17.12"	14.4"	15.19"	Mesh
GL09WMFP-B	9	17.8"	23.62"	17.12"	14.4"	15.19"	Mesh

FEATURES

- Assembly takes five minutes or less—tool-less design and no hardware required
- Flat packed for easy onsite storage
- Open design for easy equipment installation and maintenance
- Removable, mesh door with locking cam
- Hinged side panels (which can only be opened from inside) swing open 90 degrees and can be removed if necessary
- Two, 2.36" cable access knockouts on top and bottom
- 6" x 4" cable access on the rear
- Load capacity 132 lbs



Front view, door removed



Side view, panel removed