

# Active VGA Managed Dispatcher Hub 500170 [8P], 500171 [16P]

## Overview

The Active VGA Managed Dispatcher Hub (500170/171) distributes one (1) VGA and one (1) stereo audio channel via Cat5e/6 to up to eight (8) or sixteen (16) displays depending on the model. Designed for digital signage applications, the 500170 works in conjunction with the Active VGA Managed Receiver (500174) to support Cat5e/6 cable. Additionally the Active VGA Managed Repeater hub may be cascaded for increased distance. The overall system allows RS232 commands to be sent to remote displays.

## Applications

Digital signage, boardroom systems, multi-room systems, classroom training, retail systems, electronic billboards, electronic signs, video kiosks, point-of-sale displays, in-store video.

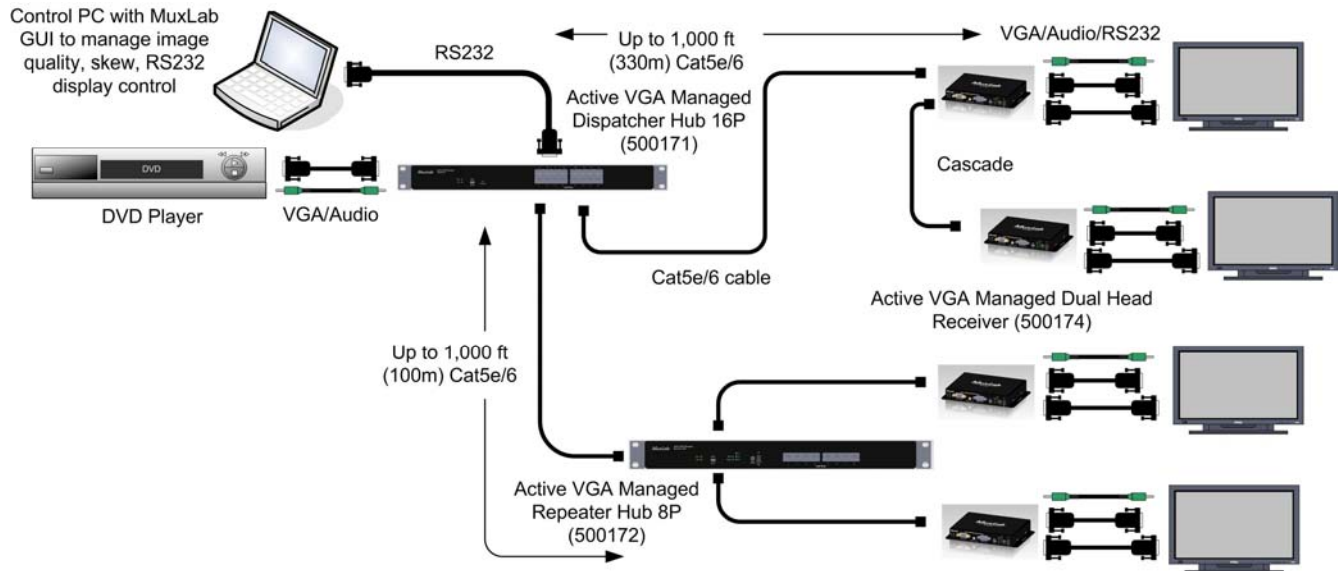


## Features

- Distributes VGA/Audio to up to 8 or 16 displays
- Up to 1,000 ft (305m) via Cat5e/6
- Gain/skew adjustment via manual, RS232, USB
- Cascadable with Active Repeater Hub (500172)
- Works with Active Managed Receivers (500174)
- GUI software controls gain, sharpness, skew
- Local VGA and audio output

Specifications													
<b>Environment</b>	VGA, Analog stereo audio, RS232												
<b>Devices</b>	PCs, laptops, CRT monitors, LCD monitors, plasma screens, touchscreens												
<b>Transmission</b>	Transparent to the user.												
<b>Maximum Resolution</b>	1080p; 1920 x 1200												
<b>Connectors</b>	FRONT PANEL Maintenance: One (1) Mini USB Link Ports: Eight (8) or Sixteen (16) RJ45S BACK PANEL <i>Local In</i> : RS232 In: One (1) DB9F Audio In: One (1) 3.5 mm stereo jack VGA In: One (1) HD15F <i>Local Out</i> : RS232 Out: One (1) DB9M Audio Out: One (1) 3.5 mm stereo jack VGA Out: One (1) HD15F Power: One (1) power jack												
<b>Maximum Distance</b>	Up to 1920 x 1200 @ 60Hz; 1080P (depending on cable length) Up to 1,000 feet (305 meters) <i>NOTE: STP cables must be used in an electrically noisy environment. Also, cross-connection reduces the effective distance depending on the grade of twisted cable used.</i>												
<b>RJ45 Pin Configuration</b> <i>Reverse Polarity Sensitive</i> Use EIA/TIA 568 A or B, straight-through wiring	<table> <tr> <td>Red:</td> <td>Pin 7 (R)</td> <td>Pin 8 (T)</td> </tr> <tr> <td>Blue:</td> <td>Pin 1 (R)</td> <td>Pin 2 (T)</td> </tr> <tr> <td>Green:</td> <td>Pin 4 (R)</td> <td>Pin 5 (T)</td> </tr> <tr> <td>COM:</td> <td>Pin 3 (R)</td> <td>Pin 6 (T)</td> </tr> </table>	Red:	Pin 7 (R)	Pin 8 (T)	Blue:	Pin 1 (R)	Pin 2 (T)	Green:	Pin 4 (R)	Pin 5 (T)	COM:	Pin 3 (R)	Pin 6 (T)
Red:	Pin 7 (R)	Pin 8 (T)											
Blue:	Pin 1 (R)	Pin 2 (T)											
Green:	Pin 4 (R)	Pin 5 (T)											
COM:	Pin 3 (R)	Pin 6 (T)											
<b>LED Indicators</b>	Sync: One (1) green LED Power: One (1) green LED												
<b>Cable</b>	Cat5e/6 or better unshielded twisted pair cable.												
<b>Power Supply</b>	110-240V/12VDC/1.25A power jacks Removable AC blades included for North America, Continental Europe & UK												
<b>Power Consumption</b>	8W												
<b>Compatible Products</b>	500172, 500174												
<b>Temperature</b>	Operating: 0° to 40° C. Storage: -10° to 70° C. Humidity: up to 95% non-condensing												
<b>Dimensions</b>	1U Rack Mountable Enclosure Dimensions: 17.15" x 4.69" x 1.72" (43.56 cm x 11.91 cm x 4.37 cm)												
<b>Weight</b>	4.8 lb (2.2 kg)												
<b>Regulatory</b>	FCC, CE-EMC Directive 89/336/EE, RoHS, WEEE												
<b>Accessories included</b>	VGA Male-to-Male cable, 6ft (1.5m) for video 3.5mm Male-to-Male cable, 6ft (1.5m) for audio RS232 Male-to-Female cable, 6ft (1.5m) for control												
<b>Warranty</b>	Two (2) years												
<b>Order Information</b>	500170 Active VGA Managed Dispatcher Hub, 8 Ports, 110-240V 500171 Active VGA Managed Dispatcher Hub, 16 Ports, 110-240V												

## Typical Application



Rear panel