

Outdoor Dome Fiber Splice Closure

SPECIFICATIONS

The Dome Fiber Splice Closure shall house, organize, manage, and protect fiber optic cables and splices. The closure shall be hermetically sealed and provide IP68-rated protection when properly used with the provided grommet to seal cable entry and exits. The closure shall be validated to accommodate buffer tube fiber splices. To be included are the enclosure dome, tray organizer, and grommet kit.



TECHNICAL INFORMATION

Dimensions W x H:	Interior – OFCD6517BF: 6.5 in. x 17 in. (165.1mm x 444.5mm) Exterior – 8.57 in. x 17.85 in. (218mm x 463mm)
Standards:	Telcordia® GR-771-CORE Buried, Underground
Ingress protection:	IP68
Packaging includes:	(2) Grommets (1) Buffer tube organizer assembly with 4-port end plate assembly (1) Dome (1) Collar assembly (1) Gasket (1) Small parts bag

KEY FEATURES AND BENEFITS

Versatile splicing capabilities:	Multiple tray designs support single fusion splicing
Easy splice tray access:	Tray design allows the removal from the stack to enable multiple splicers to work simultaneously
4-Port end plate:	Segmented design provides independent access to each cable port without disrupting surrounding cables
Flexible grommet sealing technology (included):	Flexible grommet sealing technology supports a wide range of flat and round cable profiles

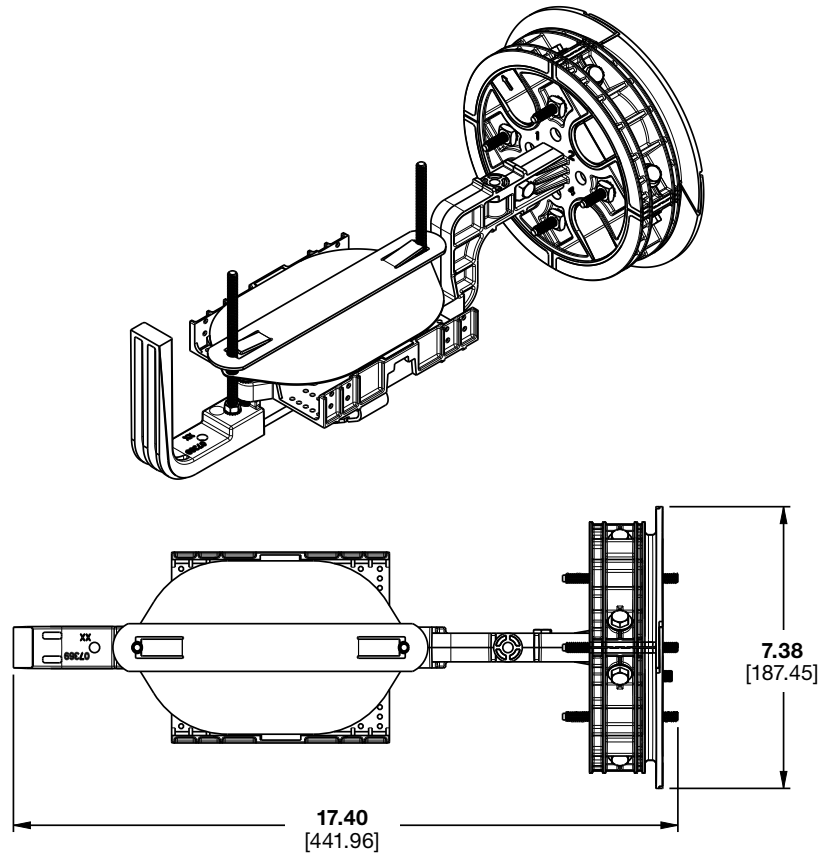
APPLICATIONS

The Dome Fiber Splice Closure protects spliced fibers in a hermetically sealed encasement and can be installed underground or in a man/hand-hole. Grommet kits are included to allow for flexibility in cable size, while sealing entry/exit points to provide an IP68-rated seal. Buffer tube splice trays are designed to offer an improved cable management that will organize and protect the fiber by holding the cable entering the tray. The cable restraint hardware inside the closure provides proper pull-out strength and restricts the strength member from pistoning inside the closure.

Outdoor Dome Fiber Splice Closure

ENGINEERING DRAWINGS

OFCD6517BF



Dimensions are in inches. [Dimensions in brackets are metric].

ORDERING INFORMATION

Part Number	Description
OFC24SST	Single Fiber Splice Tray, 24 ct.
OFC40SST	Single Fiber Splice Tray, 40 ct.
OFCD6517BF	Dome closure, 6.5 in. x 17 in. (165.1mm x 444.5mm), with single fusion fiber tube organizer, includes grommet kit: (2) 1-hole 0.40 in. – 0.60 in. (10.16mm – 15.24mm) grommets and (2) 2-hole 0.60 in. – 0.85 in. (15.24mm – 21.59mm) grommets. The maximum tray capacity for OFC24SST is 6.

WORLDWIDE SUBSIDIARIES AND SALES OFFICES

PANDUIT US/CANADA
Phone: 800.777.3300

PANDUIT EUROPE LTD.
London, UK
Phone: 44.20.8601.7200

PANDUIT SINGAPORE PTE. LTD.
Republic of Singapore
Phone: 65.6305.7575

PANDUIT JAPAN
Tokyo, Japan
Phone: 81.3.6863.6000

PANDUIT LATIN AMERICA
Guadalajara, Mexico
Phone: 52.33.3777.6000

PANDUIT AUSTRALIA PTY. LTD.
Victoria, Australia
Phone: 61.3.9794.9020

For a copy of Panduit product warranties, log on to www.panduit.com/warranty

PANDUIT[®]

For more information
Visit us at www.panduit.com
Contact Customer Service by email: cs@panduit.com
or by phone: 800.777.3300

© 2024 Panduit Corp.
ALL RIGHTS RESERVED.
FBSP272-WW-ENG
9/2024