



AVC-TE51F28

NDAA COMPLIANT | CE | FC

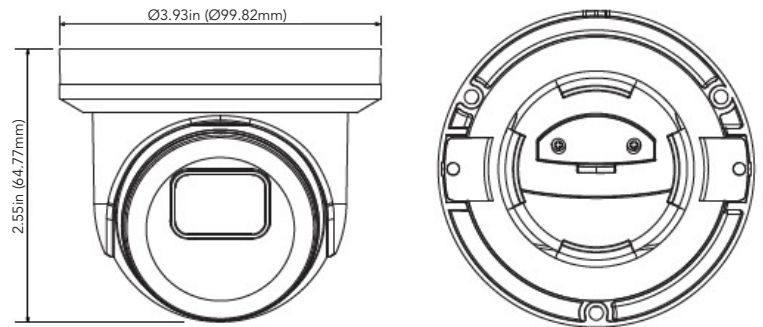
5MP HD-TVI FIXED TURRET CAMERA

OVERVIEW

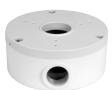
- 5MP (2592x1944)
- HD-TVI / CVI / AHD / CVBS (Analog)
- True Day & Night ICR
- Fixed 2.8mm Lens
- Easy-to-Use DIP Switch to Change Formats
- DNR, WDR, BLC
- Smart IR Illumination Up to 66ft
- IP67 ingress protection
- DC12V

DIMENSIONS

Unit : inch(mm)



OPTIONAL ACCESSORIES



AVM-JB-BE-S1
JUNCTION BOX



AVM-CWM-EV-S1
COMPACT
WALL MOUNT



AVM-HWM-E-S1
WALL MOUNT
WITH JUNCTION BOX



AVM-HCM-E-S1
CEILING MOUNT
WITH JUNCTION BOX



AVM-POM-A1
POLE
MOUNT BRACKET



AVM-CRM-A1
CORNER
MOUNT BRACKET

SPECIFICATIONS

CAMERA	
Image Sensor	1/2.7" Progressive Scan CMOS
Resolution	5MP
Image Size	2592x1944
Video Output	1 channel BNC Video Output
Image System	PAL / NTSC
Electronic Shutter	1/15s to 1/50,000s
IR Distance	Up to 66ft.
Video Formats	HD-TVI / ADH / CVI / CVBS (Analog)
Frame Rate	AHD / TVI: 5MP @ 20fps (NTSC / PAL) AHD / CVI / TVI: 4MP @ 30fps (NTSC) / 25fps (PAL), 2MP @ 30fps (NTSC) / 25fps (PAL)
Min. Illumination	0.05 lux @ F1.2 (AGC ON), 0 lux with IR ON
Lens	Fixed 2.8mm Lens
Lens Mount	M12
Horizontal Field of View	92.8°
S/N Ratio	39dB
Function Control	OSD, Control over Coax (UTC)
IMAGE	
Day & Night	EXT / Auto / Color / BW (Black and White)
WDR	Yes
Digital NR	Yes
Auto Gain Control (AGC)	Yes
Auto White Balance (AWB)	Yes
Backlight Compensation (BLC)	Yes
Edge Brightness Compensation	Yes
Defog	No
HLC	No
Sharpness	Yes
Mirror Image	Yes
Smart IR (Anti-SAT)	Yes
Image Setting	Yes
Defect Correction	Auto / Manual
GENERAL	
Angle Adjustment	Manual Adjustment
Input Voltage	DC 12V (±10%)
Power Consumption	Maximum 4W
Ingress Protection	IP67
Working Environment	-22F°~131°F (-30°~55°C)
Dimensions	Ø3.93x2.55in (Ø100x65mm)

AVR-DSV804H

NDA
COMPLIANT | CE | FC

4 CH. 4K UHD DIGITAL VIDEO RECORDER
8MP / 5MP / 4MP / 1080P / 960 / 720P 4K HD OVER COAX & UTP

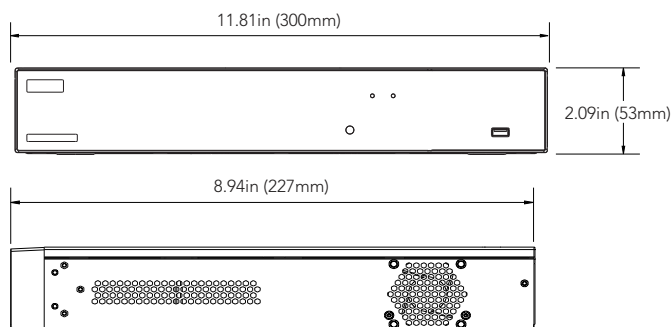


OVERVIEW

- H.265 codec decoding
- Full hybrid to support TVI/AHD/CVI/Analog/960H/IP cameras
- Support AHD/TVI/CVI/Analog 960H/IP cameras
- Up to 8MP(4K) resolution for preview and playback
- Support to install up to 1 HDD, max total capacity of up to 16TB
- Full function network remote view via Internet (CMS, IE/Firefox/Chrome, Mac Safari)
- No limitation on adding devices to CMS, max. 128 channels preview (CMSONE)
- Support scan P2P QR code to connect DVR via Mobile app (AVY Mobile One)
- Support to save pictures/video to Dropbox storage (Dropbox)
- Support to save pictures/video to FTP server (built by user)
- VGA/HDMI output up to 4K resolution
- Support HDD S.M.A.R.T. Monitoring
- Ability to convert up to 4 analog channels to have in total 6 IP channels (Total Bandwidth 36mbps)

DIMENSIONS

Unit : inch(mm)



MOBILE APP

AVY MOBILE ONE



REAR PANEL



SPECIFICATIONS

VIDEO	
Analog Video Input	4CH input
IP Video Input	2CH, (only IP up to 6CH)
Total Video Input	6CH, (Analog + IP)
Output	HDMI x 1: EDID / 3840 x 2160(4K) / 2560 x 1440(2K) / 1920 x 1080 / 1440 x 900 / 1280 x 1024 / 1280 x 720 / 1024 x 768 VGA x 1: 1920 x 1080 / 1440 x 900 / 1280 x 1024 / 1280 x 720 / 1024 x 768 BNC x 1: 704 x 576
Incoming Bandwidth (Mbps)	12Mbps~36Mbps
Outgoing Bandwidth (Mbps)	48Mbps
Video Compression	H.264/H.265
Audio Compression	G.711a
Installation Wizard	Yes
HD Analog	8MP @ 15fps / 5MP Lite @ 20fps / 4MP / 1080P / 960P / 720P
IP	8MP / 5MP / 4MP / 1080P / 720P
PLAYBACK	
Playback Frame Rate	8MP: 7fps, 5MP: 12fps, 4MP: 15fps, 1080P/ 720P/ NTSC: 30fps (each CH)
Smart AI	Analog Cameras: Intrusion Detection (ID), Tripwire Detection (TD), Human & Vehicle Detection (PD & VD), Sound Detection (SD), Video Tampering (TD)
Event Triggers	MD (Sensitivity Level 1~8), Video Loss, Beep, Email, Push Notification to Mobile App
Playback Function	Fast forward / backward (2x, 4x, 8x,16x), Slow forward (1/2x, 1/4x, 1/8x,1/16x)
Playback	Max 8CH playback
INTERFACE	
Local UI	UI5.0
Web Monitoring	IE10/11, Safari V12.1 above, Firefox V.52 above, Chrome V.57 above, Edge V.79 above
Mobile Viewer	AVY Mobile One
Push Notification	Motion Event, AI, and Abnormal
Password Reset	Password Reset (Hold 3 seconds), Factory Reset (Hold 8 seconds)
HDD Interface	SATA x 1, Max 16TB HDD
AI FEATURES	
Perimeter Intrusion Detection (PID)	Yes
Line Crossing Detection (LCD)	Yes
Pedestrian Detection and Vehicle Detection (PD and VD)	Yes
Stationary Object Detection (SOD)	Yes
Face Detection (FD)	Yes
Crossing Counting (CC)	Yes
Rare Sound Detection (RSD)	No
Video Tampering (VT)	Yes
License Plate Detection Enhance (LPD)	No
Heatmap (HM)	/
Crowd Density Detection (CD)	/
Queue Length Detection (QD)	/
SYSTEM	
PoE	N/A
Ethernet	1 RJ45 100/1000 Base-T
USB	USB 2.0 x 1 (Front Panel), USB 3.0 x 1 (Rear Panel)
Audio	4 IN / 1 OUT
E-Sata	No
RS485	1
Alarm Input/out	4 IN / 1 OUT
GENERAL	
OSD Language	English and more
Power Consumption	4.7W (Without HDD)
Power Supply	DC12V/2A
Working Environment	32°~104°F (0°~40° Celcius)
Working Humidity	Less than 90%RH (Non-Condensing)
Dimensions	11.81" x 8.94" x 2.09" (300mm x 227mm x 53mm)

SPECIFICATIONS

SMART AI FEATURES

AVR-DSV804H	Diversity DVR AI (IPC)	Diversity DVR AI (HD Analog)
Intrusion Detection (ID)	Yes	Yes
Tripwire Detection (TD)	Yes	Yes
Human & Vehicle Detection (PD&VD)	Yes	Yes
Stationary Object Detection (SOD)	Yes	No
Face Detection (FD)	Yes	No
Tripwire Counting (TC)	Yes	No
Sound Detection (SD)	Yes	Yes
Rare Sound Detection (RSD)	Yes	No
Video Tampering (VD)	Yes	Yes
License Plate Detection (LPD)	No	No
Heatmap (HM)	No	No
Crowd Density Detection (CD)	No	No
Queue Length Detection (QD)	No	No

HDD OPTIONS

- 1TB HDD: AVR-DSV804H-1T
- 2TB HDD: AVR-DSV804H-2T
- 3TB HDD: AVR-DSV804H-3T
- 4TB HDD: AVR-DSV804H-4T
- 6TB HDD: AVR-DSV804H-6T
- 8TB HDD: AVR-DSV804H-8T
- 10TB HDD: AVR-DSV804H-10T
- 12TB HDD: AVR-DSV804H-12T
- 14TB HDD: AVR-DSV804H-14T
- 16TB HDD: AVR-DSV804H-16T