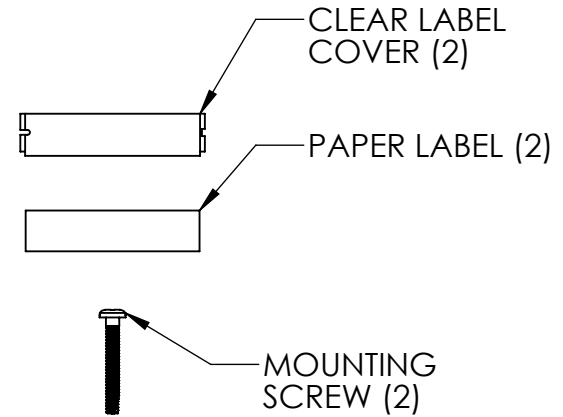
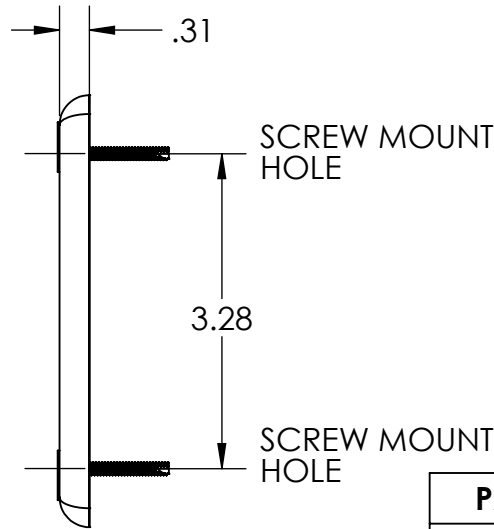
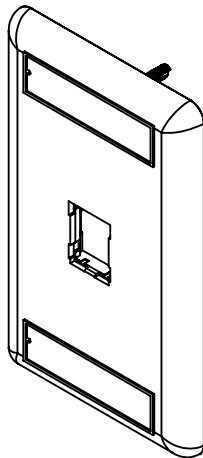


FACEPLATE (FP)



PART NUMBER	(-XX)	COLOR
403HDJ11	NONE	FOG WHITE
403HDJ11-00	-00	BLACK
403HDJ11-13	-13	IVORY
403HDJ11-78	-78	WM DK GRAY
403HDJ11-88	-88	WHITE
403HDJ11-99*	-99*	WM IVORY*

\*ASTERISK DENOTES MOQ REQUIRED. CONTACT CUSTOMER SERVICE.

NOTE: ALL DIMENSIONS ARE IN INCHES

\*\*\* NOTICE \*\*\*  
 THIS DOCUMENT CONTAINS CONFIDENTIAL AND/OR PROPRIETARY INFORMATION INTENDED FOR USE ONLY BY THE INDIVIDUAL(S) PROVIDED. NEITHER THIS DOCUMENT, NOR ANY INFORMATION CONTAINED HEREIN, MAY BE COPIED, DISTRIBUTED, DISCLOSED TO ANY THIRD PARTY OR USED IN ANY MANNER OTHER THAN FOR WHICH IT HAS BEEN PROVIDED, WITHOUT THE PRIOR WRITTEN CONSENT OF LEGRAND, INC.



WWW.LEGRAND.US

TITLE			
FP, HDJ, 1 GANG, 1 PORT, LABEL, COVER, SCREW KIT			

	NAME	DATE	SIZE	CAD FILE	DWG. NO.	REV
DWN	KC	4/23/2015	A	403HDJ11XXC	403HDJ11-XX	01
CHK	CAC	4/27/2015	SCALE	1:2	WEIGHT	SHEET
APPR	GJL	4/28/2015				1 OF 1