

# VZ-PSU3P-24

**OUTPUT 24V DC / 72W AC/DC POWER CONVERTER**



## VZ-PSU3P-24 ADVANTAGES

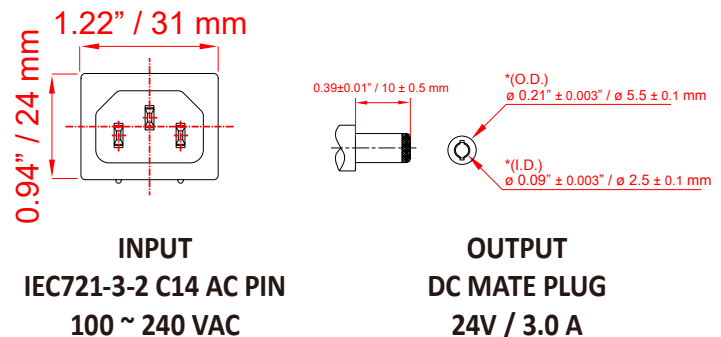
- AC Input - 100 ~ 240V, 50/60Hz
- DC Output - 24V ∴ 3.0 A / 72 W
- Green Power On LED
- Energy efficiency rating: VI
- Compact & Lightweight
- Safe & Reliable
- Complies with International Safety Standards & Environmental Protection Requirements
- Over Voltage / Overload / Over current / Short Circuit Protection
- Comply with Environmental Protection Requirements
- Wide Voltage Compatibility
- Long Product Life
- EMC meets EN 55032/ EN 55024 standard
- Safety : UL, KCC, CCC, TUV/GS, PSE, C-Tick
- EMI : CE, FCC/cUL, CCC, PSE

MODEL #		VZ-PSU3P-24
<b>FEATURES</b>		
Input Voltage	100 ~ 240V AC (50/60Hz) / 1.5 A	
Output Voltage	24V DC	
Output Watt	72 W	
Output Current	3.0 A	
<b>PROTECTION</b>		
Short-Circuit Protection	The Power Supply will be auto recovered when short circuit faults remove	
Over-Current Protection	The power supply will auto protected when output current over rated current 2.2-8A at 110-230V AC	
<b>DIMENSIONS &amp; WEIGHT</b>		
Dimensions (Width x Length x Height) inch	2.42" x 5.63" x 1.37"	
(Width x Length x Height) mm	61.6 mm x 143.2 mm x 34.8 mm	
Weight	0.66 ± 0.04 lbs / 0.3 ± 0.02 kg	
<b>INTERFACE</b>		
Input Plug Type	IEC 721-3-2 2M2 - C14 AC PIN	
Output Cord	WIRE: 18AWG / 1500 ± 30 mm PLUG: JACK PLUG 5.5*2.5*10.5mm	
<b>GENERAL</b>		
Construction	PC, ABS, or equivalent	
Regulations	SAFETY STANDARDS UL 62368, GB4943, CE (EN 62368), IEC 62368, EN 62368	
	EMC STANDARDS EN55032+55024	
Operating Temperature	32°F ~ 104°F / 0°C ~ +40°C	
Operating Humidity	5% ~ 90% RH. Non-condensing	
Storage Temperature	-4°F ~ 158°F / -20°C ~ +70°C	
Cable	AWM Style 1185 - 18 AWG/1C + SH	
Cooling	Cooling shall be with natural convection cooling	

## Designed specifically for



## FEATURES



## PRECAUTIONS



Risk of electric shock. Do not open the body.

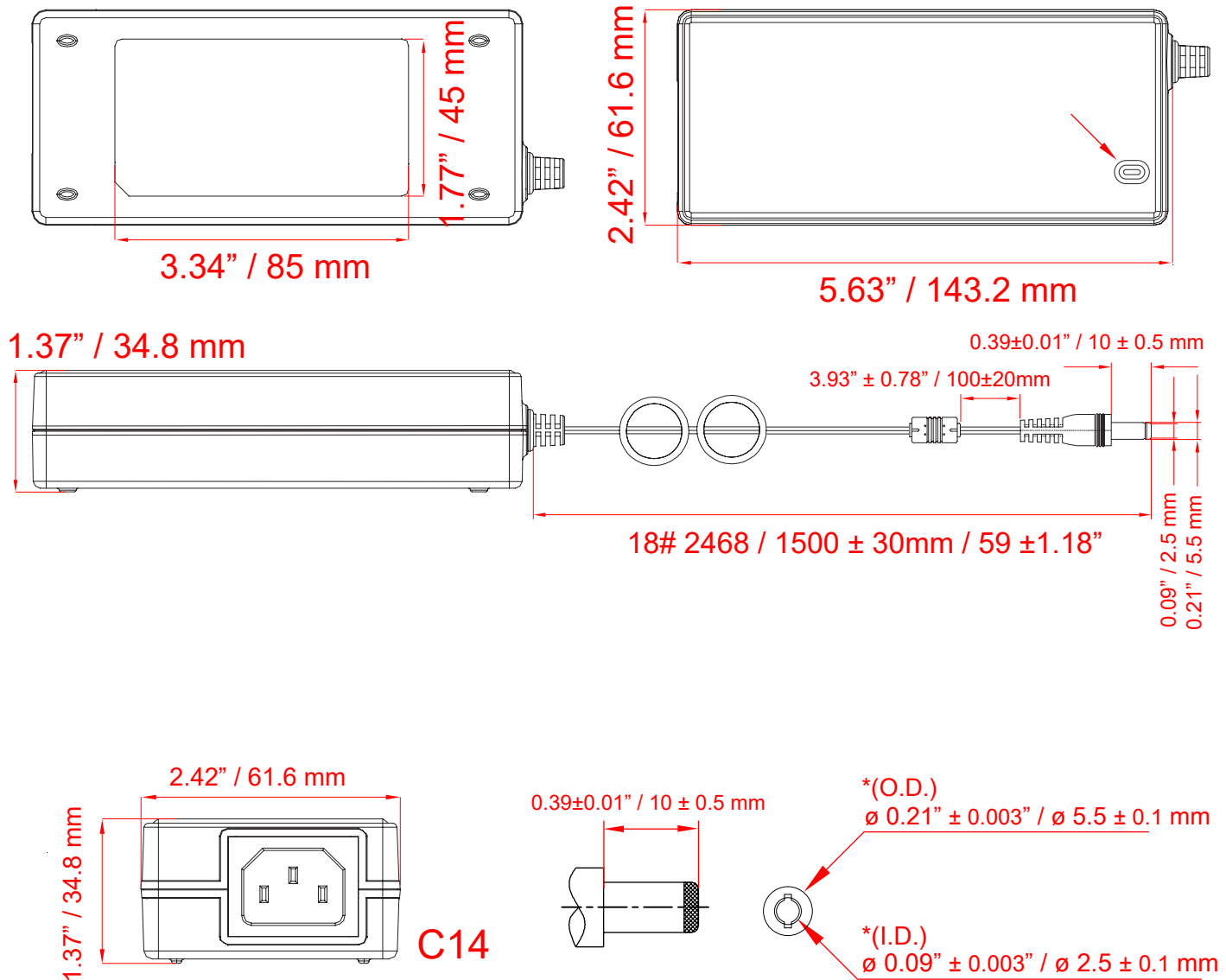
## Contact ViewZ

- Address : 1030 N ARMANDO ST., ANAHEIM, CA 92806
- Phone : (714) 996-1177, Fax : (714) 996-1138
- Sales : sales@viewzusa.com

# VZ-PSU3P-24

**OUTPUT 24V DC / 64.8W AC/DC POWER CONVERTER**

## DIMENSIONS



## Contact ViewZ

- Address : 1030 N ARMANDO ST., ANAHEIM, CA 92806
- Phone : (714) 996-1177, Fax : (714) 996-1138
- Sales : sales@viewzusa.com