

# CM-PT250SS/375SS (Stainless Steel) Power Transfer Cables

## INSTALLATION INSTRUCTIONS

### THIS PACKAGE INCLUDES:

- 1 - Power Transfer Cable
- 2 - Endcaps
- 4 - #6 x 3/4" Self Tapping Screws

### 1. GENERAL DESCRIPTION

Camden's Power Transfer Cables are ideal for connecting power to door accessories like crash bars, electric locks, and other security devices. Their flexible yet durable construction makes them suitable for a wide range of commercial, industrial, and institutional applications where reliable power transmission is critical. Our Power Transfer Cables are crafted with precision engineering, ensuring they exceed industry expectations for performance and durability.

### 2. SPECIFICATIONS

Model Number	Length Options	Inside Diameter	Screw Size	Material	Endcap Type
CM-PT250SS-7,12,18,24,36	7", 12", 18", 24", 36" (178, 305, 457, 610, 914)mm	1/4" (6.4mm)	#6 x 3/4" screws	Stainless Steel, US26 finish	Stainless Steel
CM-PT375SS-7,12,18,24,36	7", 12", 18", 24", 36" (178, 305, 457, 610, 914)mm	3/8" (9.5mm)	#6 x 3/4" screws	Stainless Steel, US26 finish	Stainless Steel

#### Wire Fill Chart:

Model Number	Number of Wires @ #18 AWG	Number of Wires @ #20 AWG	Number of Wire @ #22 AWG
CM-PT250SS-7,12,18,24,36	4 Conductors	8 Conductors	12 Conductors
CM-PT375SS-7,12,18,24,36	8 Conductors	12 Conductors	16 Conductors

### 3. INSTALLATION

#### Initial Setup

1. **Identify Model:** Follow these steps if you are installing the CM-PT250SS or CM-PT375SS Camden Power Transfer Cable.
2. **Position Endcaps:** Place the Endcaps at the intended mounting locations on the door frame and the door, and align them with the path of the Power Transfer Cable.
3. **Align and Mark Cable Passage Hole and Mounting Locations:** Mark the hole locations for cable passage and the mounting locations on both the door frame and on the door using the Endcaps or the previously drilled hole as a guide.

(See Figure 3.1 and 3.2 on the next page for reference.)

#### Drilling and Mounting

4. **Drill Cable Passage Hole:** Drill a 3/8" (9.5mm) diameter hole through the door frame and the door to allow the Power Transfer Cable to pass through.

**Note:** You can drill a 1/4" (2.5mm) diameter hole for cable passage on CM-PT250SS models.

## CM-PT250SS/375SS (Stainless Steel) Power Transfer Cables

### INSTALLATION INSTRUCTIONS

5. **Drill Mounting Holes:** Drill pilot holes at the marked locations using a 3/32" (about 2.4mm) drill bit for the #6 x 3/4" screws for mounting.
6. **Attach Endcaps:** Secure the Endcaps on the door frame and door with the #6 x 3/4" screws provided.

### Cable Installation

7. **Insert Cables:** Insert the cables in and through the Power Transfer Cable Loop.
8. **Install Power Transfer Cable:** Thread the Power Transfer Cable Loop ends through the openings in the Endcaps, ensuring there are no sharp bends or tension in the cable.

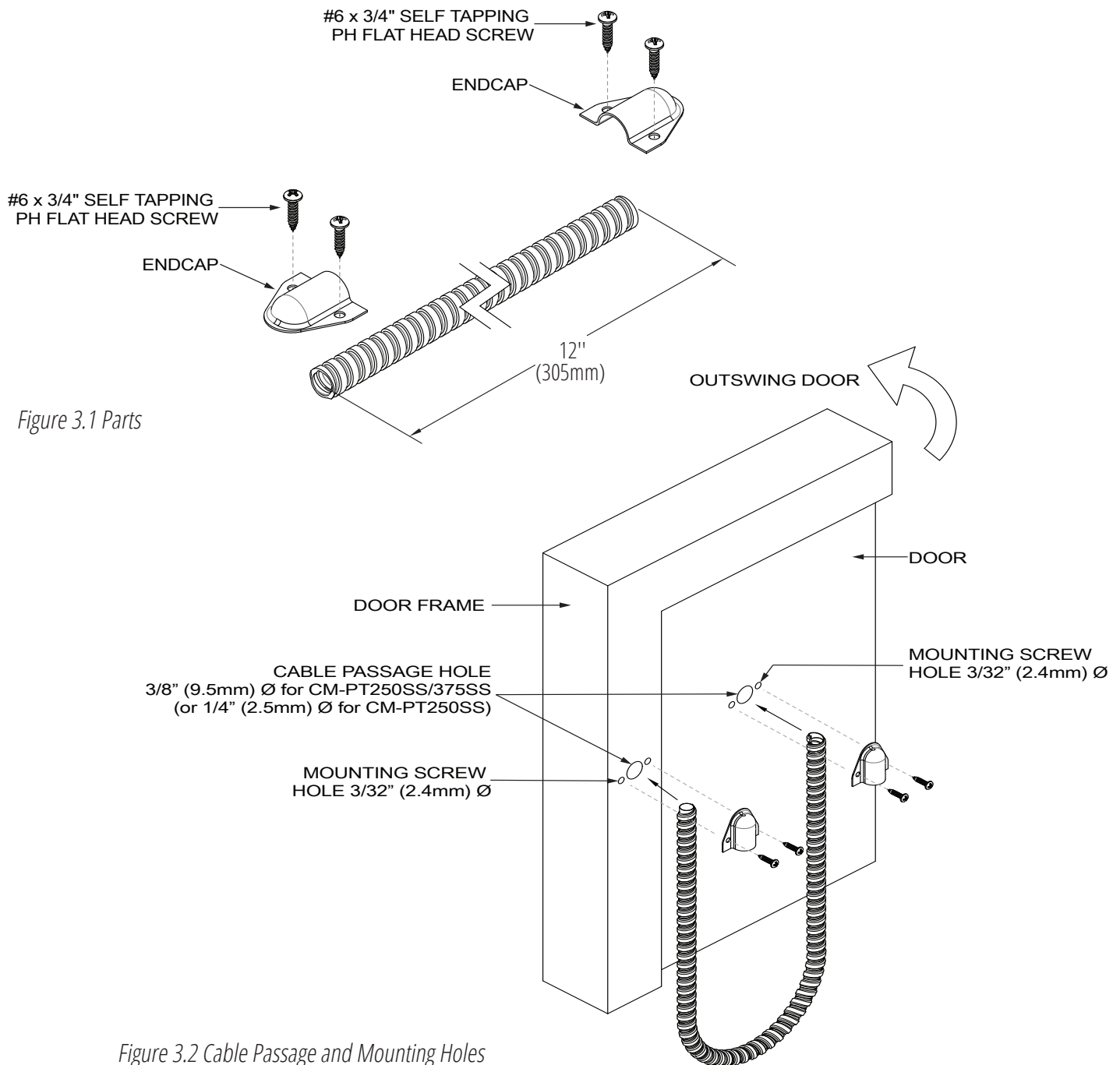


Figure 3.1 Parts

Figure 3.2 Cable Passage and Mounting Holes