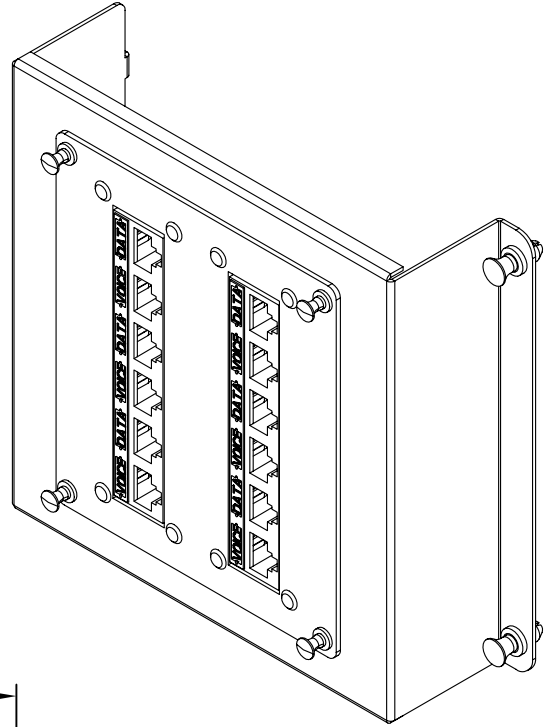


2

1

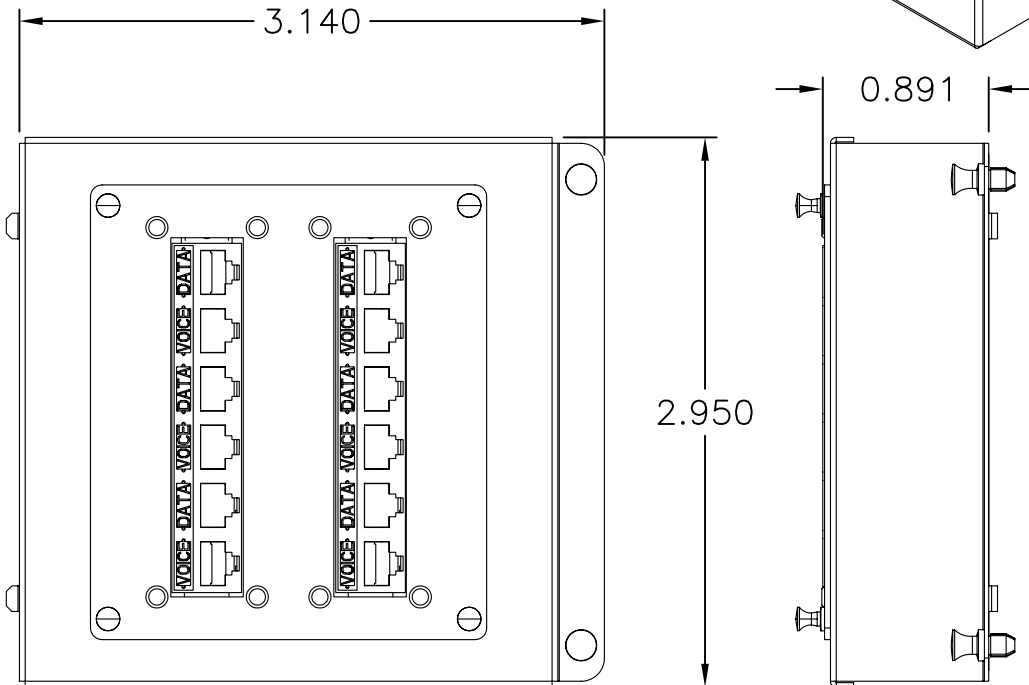
NOTES:

- 1. 110 TO RJ45 CONNECTION
- 2. TERMINATION STANDARD: T568A



B

B



A

A

PROPRIETARY AND CONFIDENTIAL
 THE INFORMATION CONTAINED
 IN THIS DRAWING IS THE SOLE
 PROPERTY OF On-Q/LEGRAND.
 ANY REPRODUCTION IN PART OR
 AS A WHOLE WITHOUT THE WRITTEN
 PERMISSION OF On-Q/LEGRAND
 IS PROHIBITED. DRAWING IS SUBJECT
 TO CHANGE WITHOUT NOTICE.

on·Q

legrand

P.O. Box 60907
 Middletown, PA 17106-0907
 1-800-321-2343

TITLE:

**12-PORT CAT5e NETWORK
 INTERFACE MODULE**

SIZE	DWG NO	FILE NAME	CUST REV
A	AC1014	CD-AC1014	1
REVISED DATE	SCALE	SHEET	
1/24/08	NONE	1 OF 1	

2

1