

SPECIFICATIONS: 24WE WALL MOUNT

RACK SPACES: 19" EIA 310-E COMPLIANT - 10 RMU

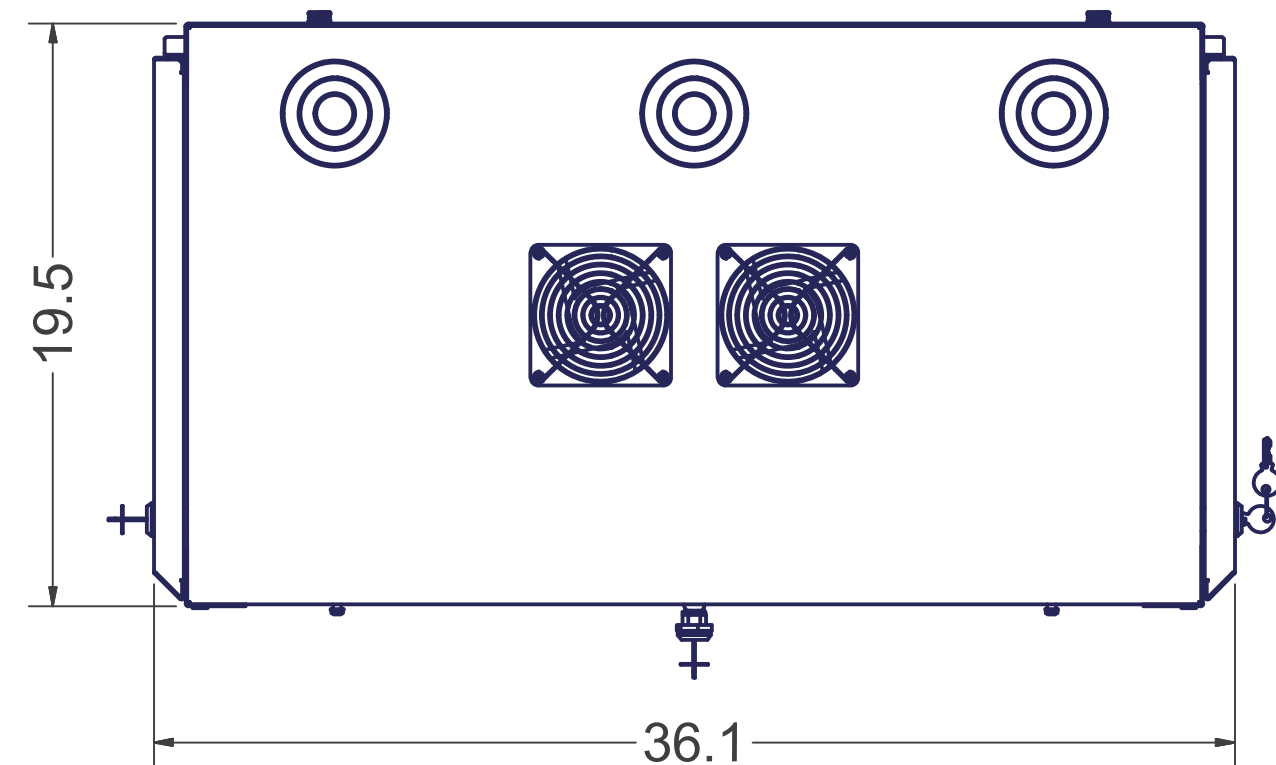
COLOR: DURABLE BLACK TEXTURED POWDER COAT.

FEATURES: 1 PAIR OF FULLY ADJUSTABLE 3/8"□ MOUNTING RAILS, #12 GA.
 1.4", 2.4", AND 3.6" CODUIT KNOCKOUTS ON MULTIPLE SIDES
 SOLID HINGED LOCKABLE DOORS
 REMOVABLE LOCKAGE SIDE
 7217WS EXHAUST FAN, 150 CFM, 115V

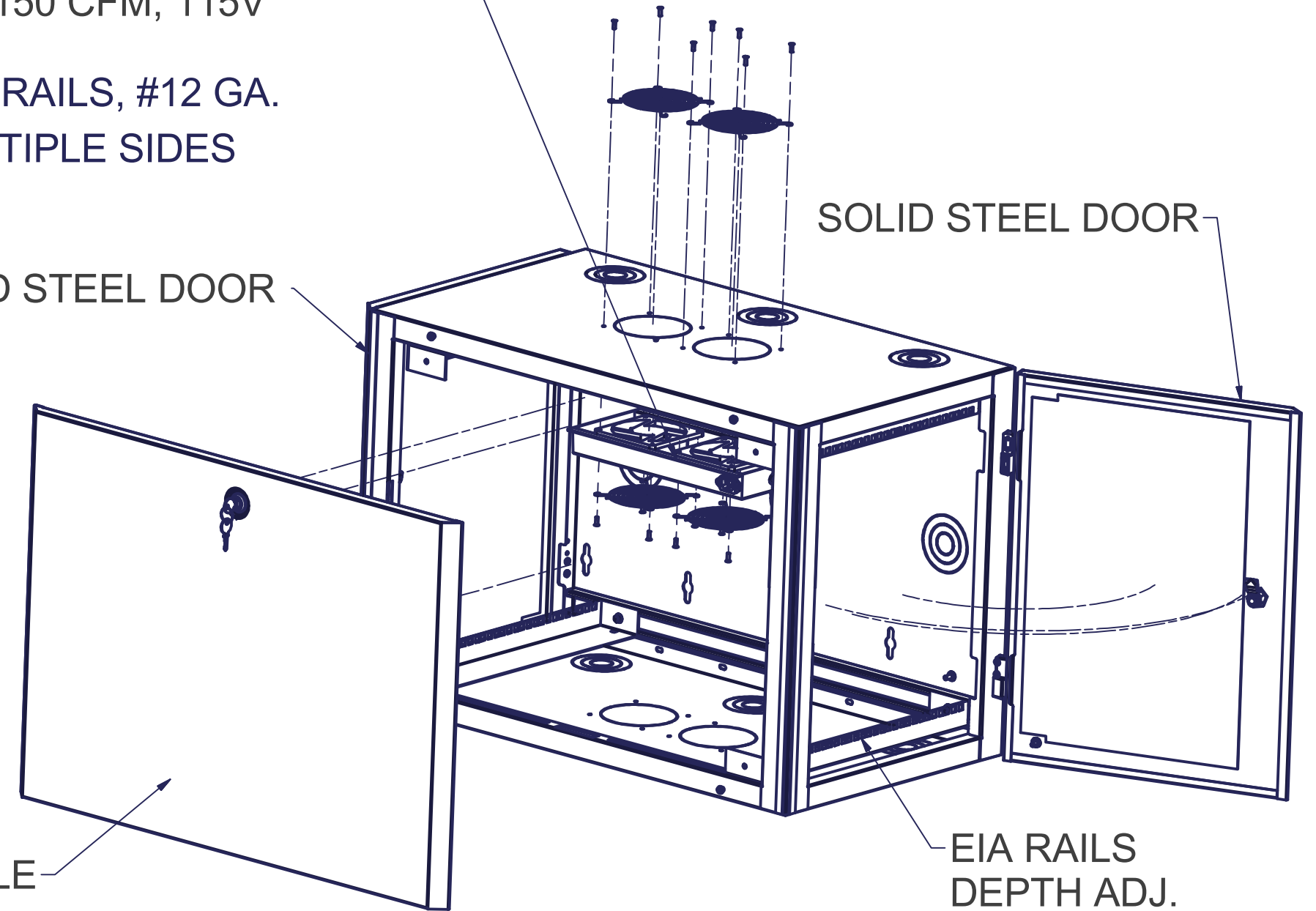
7217WS EXHAUST FAN,
 150 CFM, 115V

SOLID STEEL DOOR

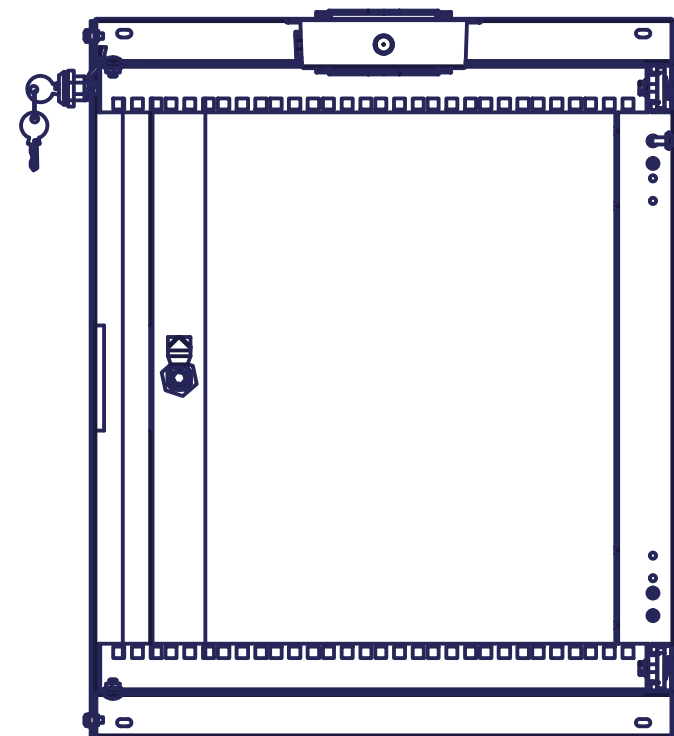
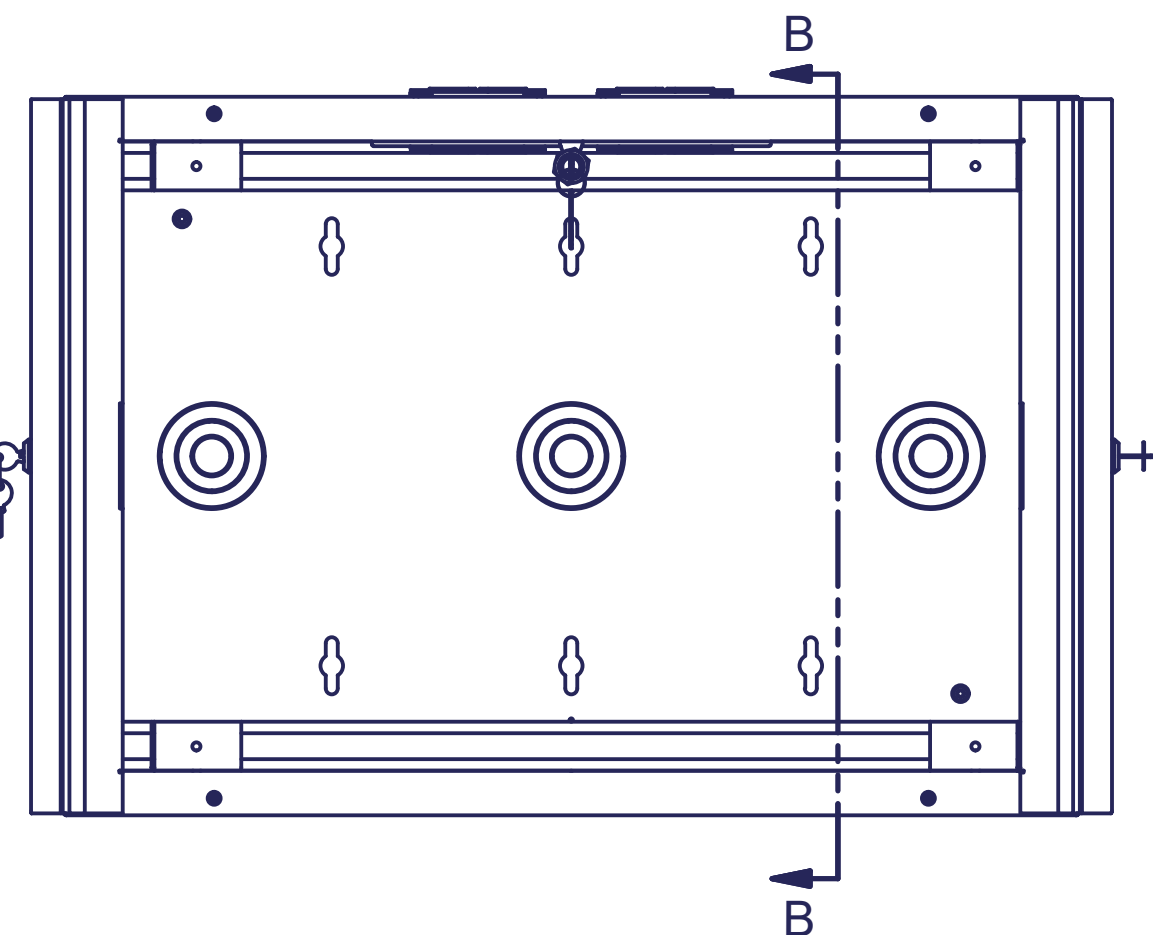
SOLID STEEL DOOR



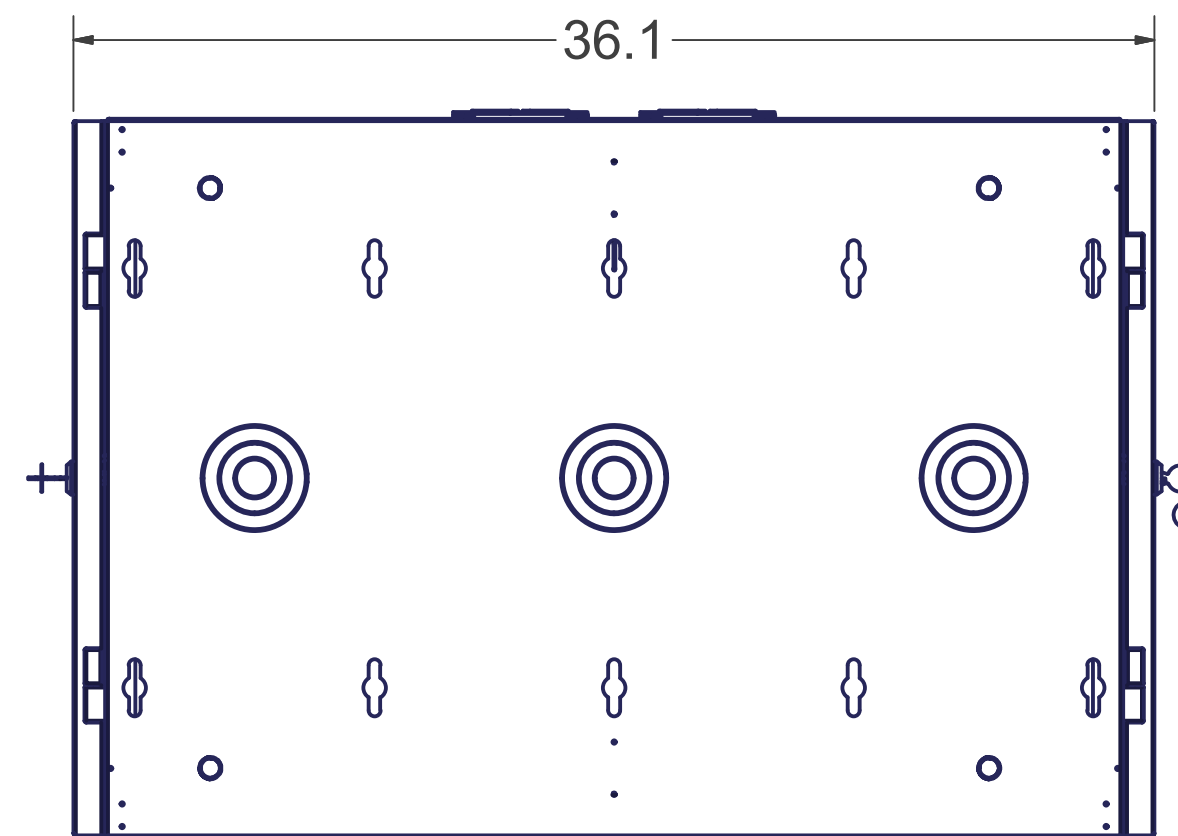
KEYED REMOVABLE
 PANEL



EIA RAILS
 DEPTH ADJ.



SECTION B-B



INTERPRET DRAWING PER ASME Y14.5M-1994
DIMENSIONAL LIMITS APPLY AFTER APPLICATION OF FINISH
DRAWING NOT TO SCALE
TOLERANCE UNLESS OTHERWISE NOTED:
ANGULAR +/- 1°
.XXXX +/- .010
.XXX +/- .015
.XX +/- .030
.X FOR REF. ONLY
UNLESS OTHERWISE SPECIFIED ALL DIMENSIONS ARE IN INCHES

NOTICE:
 Use of this document is subject to a confidentiality and nondisclosure agreement with Great Lakes Case & Cabinet Co., Inc. (GLCC) and may not be reproduced, disclosed or utilized in whole or in part without prior written authorization from GLCC.

PART NUMBER: GL24WE-B-AF
QTY PER UNIT: 1
MATERIAL TYPE:
MATERIAL GAUGE:
FINISH:
DRAWN henrym
CHECKED

TITLE
24"H x 36"W x 20.5"D SERVER WALL MOUNT ASSEMBLY

GREAT LAKES CASE & CABINET CO., INC.
 P.O. BOX 551 EDINBORO, PA 16412
 PHONE (814) 734-7303 FAX (814) 734-3907
 E-MAIL glcc@greatcabinets.com

DWG NO:	REV	SHEET 1 OF 1
---------	-----	--------------