

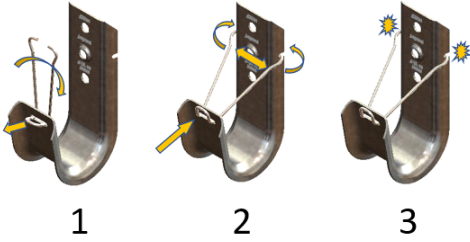


CJ64HACHOK-24

4" J-Hook with Hammer on and Angle Clip - 360 degree swivel
Fits Flange Thickness 1/8" to 1/4"



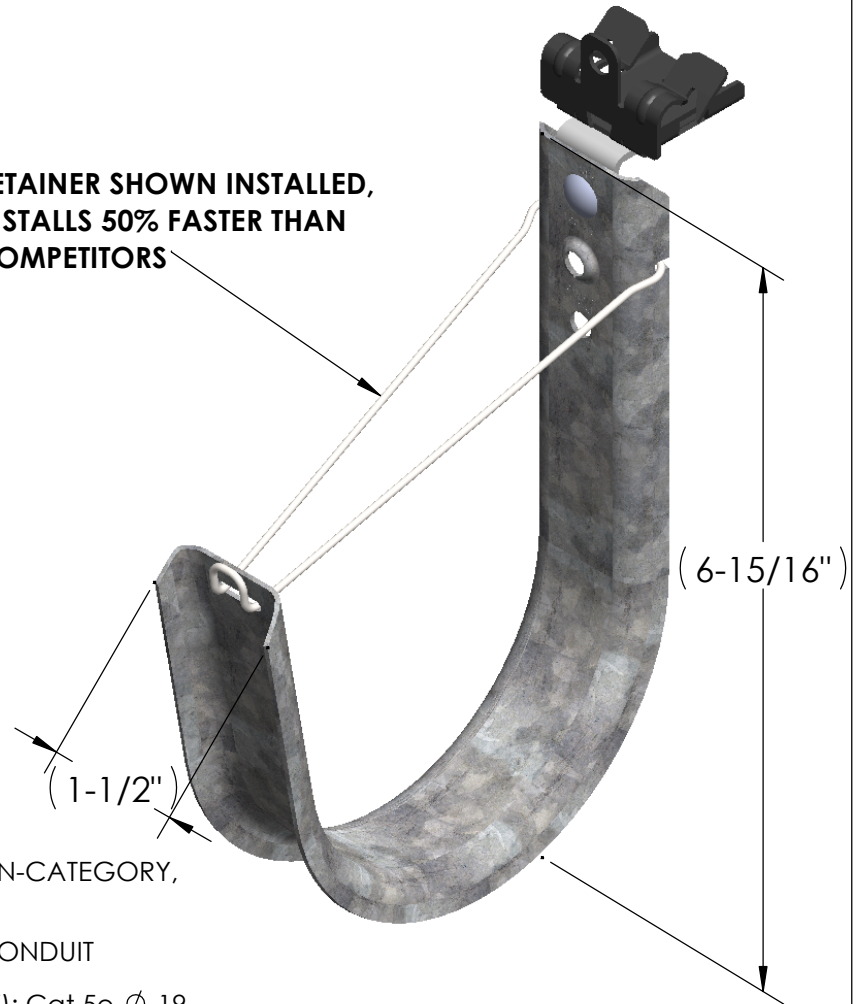
RETAINER CAN ALSO BE POSITIONED AS SHOWN DURING CABLE INSTALLATION



RETAINER INSTALLATION... AS EASY AS 1-2-3

RETAINER SHOWN INSTALLED,
INSTALLS 50% FASTER THAN
COMPETITORS

- CABLE RETAINER INCLUDED
- ADDITIONAL CABLE SURFACE AREA
- COMPLIES WITH NEC
- MEETS TIA568-E & 569-E
- WIDE BASE DESIGN FOR OPTIMUM SUPPORT
- SMOOTH BEVELED EDGES, PROVIDING STANDARD COMPLIANT BEND RADII
- RoHS compliant
- USED FOR COMMUNICATON: CATEGORY, NON-CATEGORY, OPTICAL FIBER, & COAX CABLES
- MAY ALSO SUPPORT INNERDUCT, TUBING, & CONDUIT
- COMMON CABLE TYPES (NOMINAL CAPACITY): Cat.5e ϕ .19 (417), Cat.6 ϕ .23 (284), Cat 6A ϕ .30 (167)
- MAY CONTAIN BRANCH CIRCUITS UP TO 600V: ARMORED, METAL-CLAD, NON-METALLIC SHEATHED, POWER & CONTROL, AND MODULAR METALLIC & NON-METALLIC CABLE SYSTEMS (pre-fabricated wire harnesses)



Material: Steel

Finish: Pre-Galvanized

Load Test: 65 lbs

Fill Area: 16.89 in²/10,894 mm²

Weight: 11.25 lbs/25 pcs per box

Hook Opening: 4"

Height: 6.92"

Width: 1.5"

Hole: ϕ .26"

"Copyright LNA, Inc. Drawings are proprietary and may not be copied or otherwise duplicated or used without express written permission."

CABCS1446



31TS

Legrand
8319 State Rt. 4
Mascoutah, IL 62258 USA
800-658-4641
618-566-3250
Fax 618-566-4978
www.legrand.us/cablofil