

**AVC-TE21F36**  
2MP HD-TVI FIXED TURRET CAMERA



■ Grey Available:  
AVC-TE21F36-G

## 2MP HD-TVI FIXED TURRET CAMERA

2MP HD-TVI FIXED TURRET CAMERA WITH HD OVER COAX FEATURES

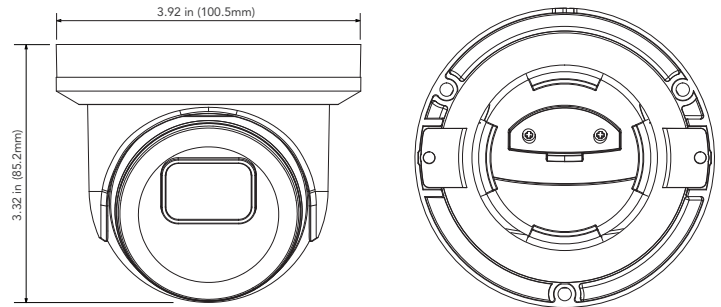
Our Second Generation HD-TVI Series continues providing the quality expected from the AVYCON brand. This 1080P camera includes an upgraded Smart IR LED array, new DIP switch design for easily changing video formats (HD-TVI, CVI, AHD and Analog), and a sleek new magnetic ring designed to hide all mounting screws from view and create a seamless body look. With the newest generation chipset and board design, we have also increased power efficiency with a possible 20% savings in consumption. Also standard with this series is Digital NR, AGC, WDR, BLC, and Defog capabilities along with IP67 outdoor rating.

## FUNCTIONS

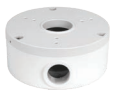
- 2MP (1920 x 1080)
- Fixed 3.6mm Lens
- HD-TVI / CVI / AHD / CVBS (Analog)
- Easy-to-Use DIP Switch to Change Formats
- True Day / Night
- Smart IR Illumination Up to 66ft.
- Digital NR
- Defog
- DWDR
- IP67 Outdoor Rating
- DC 12V (3W Consumption)

## DIMENSIONS

Unit : inch (mm)



## OPTIONAL ACCESSORIES



AVM-JB-BE-S1  
JUNCTION BOX



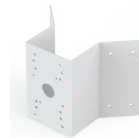
AVM-CWM-EV-S1  
COMPACT WALL MOUNT



AVM-HWM-E-S1  
HEAVY-DUTY WALL MOUNT



AVM-HCM-E-S1  
CEILING MOUNT



AVM-CRM-A1  
CORNER MOUNT



AVM-POM-A1  
POLE MOUNT

**AVC-TE21F36**  
**2MP HD-TVI FIXED TURRET CAMERA**

## SPECIFICATIONS

CAMERA	
Image Sensor	1/2.7" Progressive Scan CMOS
Resolution	2MP
Image Size	1920 x 1080
Video Output	1-channel BNC Video Output
Image System	PAL / NTSC
Electronic Shutter	1/15s to 1/50,000s
IR Distance	Up to 66ft.
Video Formats	HD-TVI / ADH / CVI / CVBS (Analog)
Frame Rate	HD-TVI / ADH / CVI / CVBS (Analog): 30 FPS
Min. Illumination	0.01lux@F1.2(AGC ON),0Lux with IR ON
Lens	Fixed 3.6mm Lens
Lens Mount	M12
S/N Ratio	40dB
Function Control	OSD, Control over Coax (UTC)
IMAGE	
Day & Night	EXT / Auto / Color / BW ( Black and White)
Digital WDR	Yes
Digital NR	Yes (3D DNR)
Auto Gain Control ( AGC)	Yes
Auto White Balance (AWB)	Yes
Backlight Compensation (BLC)	Yes
Edge Brightness Compensation	Yes
Defog	No
HLC	No
Sharpness	Yes
Mirror Image	Yes
Smart IR (Anti-SAT)	Yes
Image Setting	Yes
Defect Correction	Auto / Manual
Language	Support for 12 Different Languages
GENERAL	
Angle Adjustment	Any Angle
Input Voltage	DC 12V ( $\pm 10\%$ )
Power Consumption	Maximum 3W
Ingress Protection	IP67
Working Environment	-22F - 131F (-30°~55° Celcius)
Dimensions	3.92" x 3.32" (100.5mm x 85.2mm)



**AVYCON**<sup>®</sup>

Copyright © AVYCON. All rights reserved. Specifications and pricing are subject to change without notice.

**phone:** 949-752-7606

**email:** info@avycon.com

**social:** @avycon\_aivo

**website:** avycon.com