



Single Channel Multi-Protocol Transmission System

Supports RS485, RS422, RS232, and Manchester/Bosch

**480
SERIES**
**MULTIMODE
SINGLEMODE**



FEATURES:

- Switch Selectable Multi-Protocol Data Channel
- Diagnostic Indicators: DC Power, Data Activity, and Optical Presence
- Switch Selectable Terminations
- DC to 115 Kb/s
- One Fiber or Two Fiber Configurations
- Available with Enhanced "Afinety" Intelligent Monitoring System

SPECIFICATIONS:

Data:

Choice of: RS485 (2 or 4 Wire), RS422, RS232, or Manchester/Bosch

Format.....Asynchronous
Data Rate..... DC to 115Kbit/s
Connector.....Terminal Block

Optical:

Wavelength:

Single Fiber 1310/1550 nm
Dual Fiber 1310 nm

Loss Budget:

480 Series (62.5/125µ) 18 dB
480SL Series (9/125µ)..... 21 dB

Connector..... SC

Temperature (Operating):

-40°C to +75°C, non-condensing

Power Supply:

Module - 12 VDC (AFI Part #: PS-12)

Power Consumption 5 Watts

Size:

Module - 4¼" x 4¼" x 1⅛"

Rack Card - 6½" x 1" x 5"

ORDERING INFORMATION:

Multimode Dual Fiber Information:

MX-480 = Module Transceiver

RX-480 = Rack Card Transceiver

Multimode Single Fiber Information:

Ordering Note:

One end of link must have 1310 nm TX, the other end must have 1550 nm TX

MTX-480 = Module Xcvr, 1310 nm TX

RTX-480 = Rack Card Xcvr, 1310 nm TX

MRX-480 = Module Xcvr, 1550 nm TX

RRX-480 = Rack Card Xcvr, 1550 nm TX

Singlemode Single Fiber Information

Ordering Note:

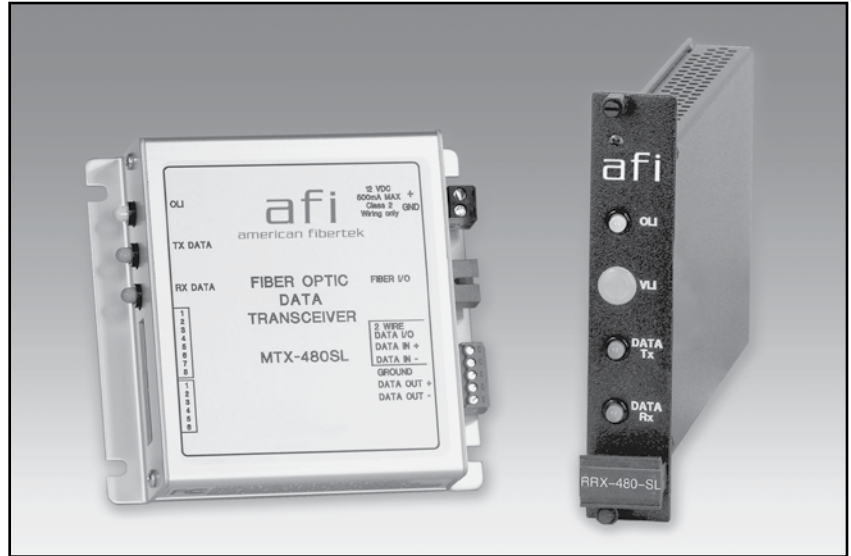
One end of link must have 1310 nm TX, the other end must have 1550 nm RX

MTX-480SL = Module Xcvr, 1310 nm TX

RTX-480SL = Rack Card Xcvr, 1310 nm TX

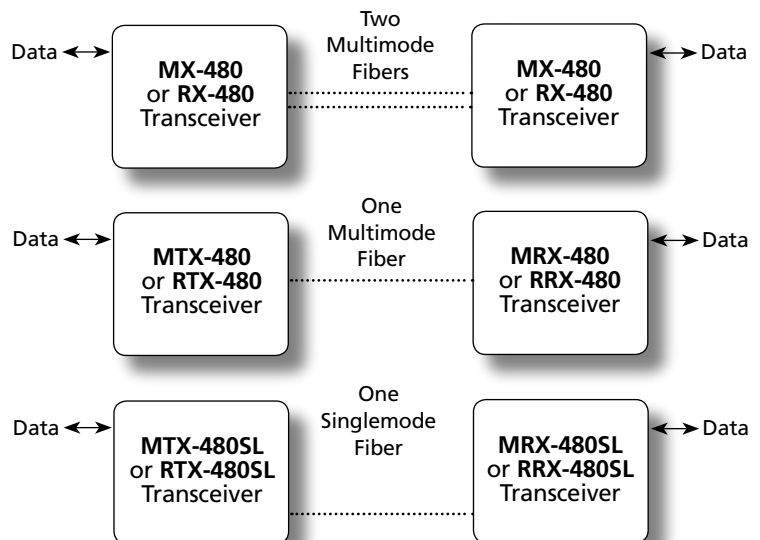
MRX-480SL = Module Xcvr, 1550 nm TX

RRX-480SL = Rack Card Xcvr, 1550 nm TX



The American Fibertek 480 Series transmits one channel of multi-protocol bi-directional data on one or two multimode optical fibers. The American Fibertek 480SL Series transmits one channel of multi-protocol bi-directional data on one singlemode optical fiber. The system is comprised of two transceivers forming a point-to-point communications link. Available switch selectable data formats include: RS485 (2 or 4 wire), RS422, RS232, and Manchester/Bosch. The system requires no field adjustments at installation or additional maintenance thereafter. Diagnostic indicators provide a quick visual indication of system status. **The "Afinety" intelligent remote monitoring system is available on this product, please consult factory.**

Equipment may be ordered as stand alone modules or rack cards that are mounted in SR-20D/2 or SR-20R/1 American Fibertek Card Cages.



SEE WEBSITE FOR CURRENT RoHS PRODUCT AVAILABILITY

american fibertek inc. 120 Belmont Drive, Somerset, NJ, USA 08873-1204

Phone: 732-302-0660 FAX: 732-302-0667 Toll Free: 877-234-7200 Email: mail@americanfibertek.com