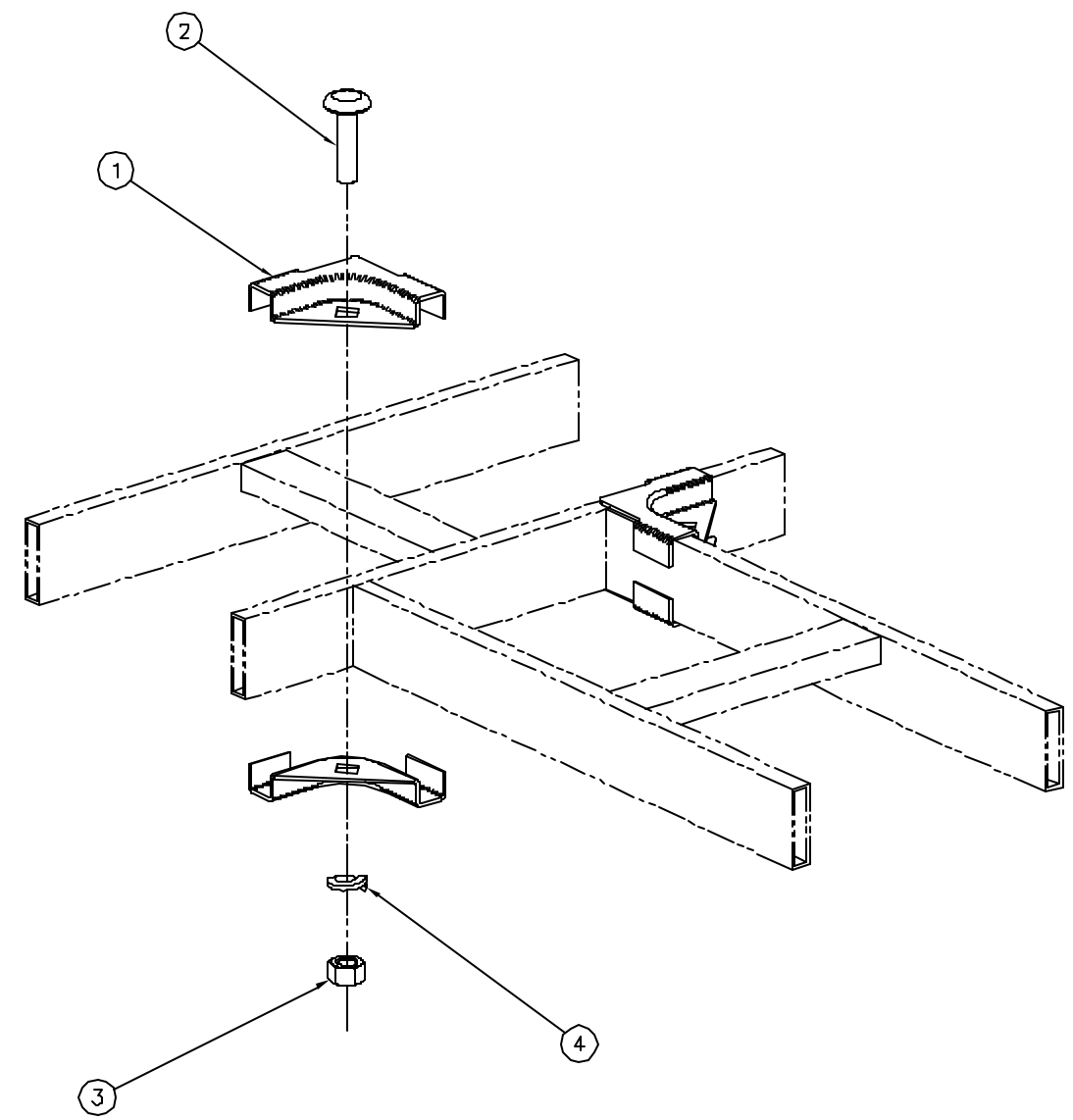


ITEM NO.	DESCRIPTION	QTY.	CATALOG NUMBER	DESCRIPTION
1	BUTT SPLICE CLAMP	4	HLTK	T-JUNCTION CORNER CLAMP
2	3/16"-18 TRIMMED BOLT	2		
3	3/16"-18 HEX NUT	2		
4	3/16"-18 LOCK WASHER	2		
5	INSTRUCTION SHEET	1		



NOTES:

- SCOPE: T-JUNCTION SPLICE KIT IS USED TO CREATE A RIGHT ANGLE SPLICE BETWEEN LADDER RACK SECTIONS.
- SURFACE FINISH: BLACK SMOOTH
- EACH KIT SHOULD CONTAIN:
 - (4) CORNER CLAMP PLATES (12Ga. C.R.S)
 - (2) CARRIAGE BOLTS 3/8-16 x 1-3/8
 - (2) 3/8-16 HEX NUTS
 - (2) 3/8-16 SPLIT LOCK WASHER
 - (1) INSTRUCTION SHEET PART NO. 77896801

REV.	ECN	DATE	DESCRIPTION	CHG BY	APPD BY
A	4613	04/23/02	INITIAL RELEASE	PSM	MMA

Created on AUTOCAD

DIMENSIONING AND TOLERANCE PER ANSI Y14.5M-1982 UNLESS OTHERWISE SPECIFIED, DIMENSIONS ARE IN INCHES (MM).

TOLERANCES
 .XX = ±.01 (.25)
 .XXX = ±.005 (.127)
 .XXXX = ±.0025 (.0635)
 ANGLE TOL ±1°

IN ACCEPTING OUR DRAWINGS, BLUEPRINTS, OR SUPPORTING DOCUMENTATION FOR QUOTATION OR OTHER PURPOSES, YOU AGREE NOT TO DISCLOSE TO OTHERS THE IDEAS, INFORMATION, OR DESIGNS SHOWN HEREIN, AND THAT YOU WILL MAKE NO USE OF SAME WITHOUT PERMISSION

PROJECT REFERENCE:

MATERIAL:

DRAWN BY:
PAUL S. MAGUIRE 04/23/02

CHECKED BY:
M. MAROVIC ABBY 04/29/02

APPROVED BY:
M. MAROVIC ABBY 04/29/02

HUBBELL Hubbell Premise Wiring
 HUBBELL INCORPORATED (Delaware)
 14 Lord's Hill Road, Storington, Connecticut 06378

TITLE: RACKS/LADDER RACKS
 CABLE MANAGEMENT
 ASSY, T-JUNCTION SPLICE KIT

SIZE: C DRAWING NO. C11257

SCALE: 1/1 SHEET 1 OF 1

REV. A