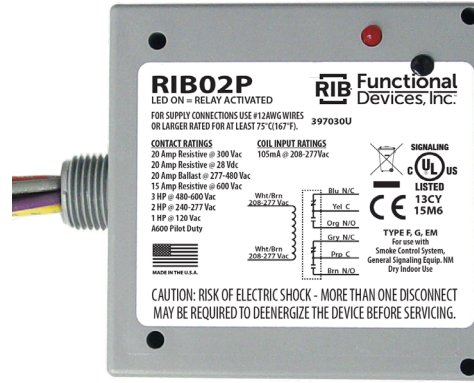
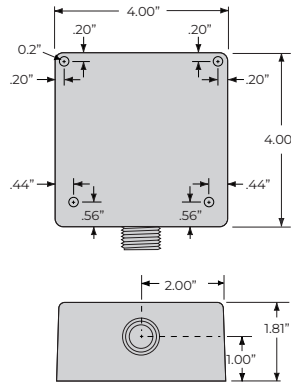
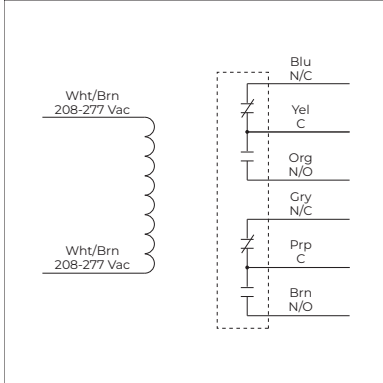


20 AMP POWER CONTROL RELAY

RIB02P

Power Relay, 20 Amp DPDT, 208-277 Vac Coil, NEMA 1 Housing



SPECIFICATIONS

# Relays & Contact Type	One (1) DPDT Continuous Duty Coil
Expected Relay Life	10 million cycles minimum mechanical
Operating Temperature	-30 to 140° F
Humidity Range	5 to 95% (noncondensing)
Operate Time	18ms
Relay Status	LED On = Activated
Dimensions	4.000"H x 4.000"W x 1.810"D with .50" NPT hub
Origin	Made of US and non-US parts
Wires	16", 600V Rated
Approvals	UL Listed, UL916, UL864, C-UL California State Fire Marshal, CE, RoHS
Housing Rating	UL Accepted for Use in Plenum, NEMA 1
Gold Flash	Yes
Override Switch	No
Contact Ratings	20 Amp Resistive @ 300 Vac 20 Amp Resistive @ 28 Vdc 20 Amp Ballast @ 277-480 Vac Not rated for Electronic Ballast 15 Amp Resistive @ 600 Vac 770 VA Pilot Duty @ 120 Vac 1,158 VA Pilot Duty @ 240 Vac 1,109 VA Pilot Duty @ 277 Vac 1,640 VA Pilot Duty @ 480 Vac Heavy Pilot Duty @ 600 Vac 3 HP @ 480-600 Vac 2 HP @ 240-277 Vac 1 HP @ 120 Vac
Coil Current	105 mA @ 208-277 Vac
Coil Voltage Input	208-277 Vac ; 50-60 Hz Drop Out = 60 Vac Vac Pull In = 160 Vac