

# KIDDE

## COMMERCIAL

FIRE ALARM SYSTEMS.  
POWERED BY PARTNERSHIP.\*

## R-SERIES REMOTE ANNUNCIATORS

K-RLCD-2, K-RLCD-C-2, K-RLED-2,  
K-RLED-C-2, K-RLED24-2



### OVERVIEW

Kidde Commercial R-Series Annunciators are high-performance remote annunciators that provide status indication and common controls for compatible fire alarm control panels, including EVOLVE-ML. This family of annunciators offers LCD or LED annunciation. Models are available with and without common controls.

There are three R-Series annunciator models, plus an LED-based expander. Up to two expanders can be connected to any annunciator. The expander includes 24 pairs of LEDs that extend the capabilities of any of the annunciators.

All annunciator models include status LEDs and an internal buzzer. Two models have an LCD text display, and one has 16 pairs of LEDs for zone annunciation. LCD models feature a large back-lit, four by twenty character per line, super-twist liquid crystal display.

R-Series annunciators and expanders are mounted on a standard 4-inch square electrical box, using the included mounting ring. They can also be surface mounted in locking steel enclosures. Three different enclosures are available.

A keyswitch interface is available for R-Series annunciator applications. The keyswitch enables or disables common controls.

### FEATURES

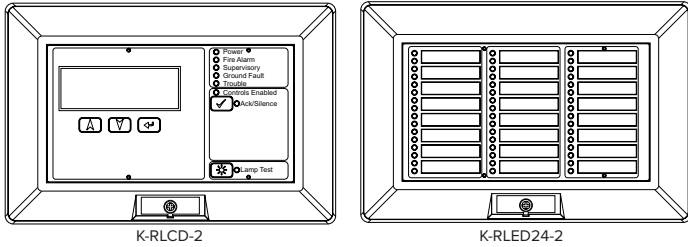
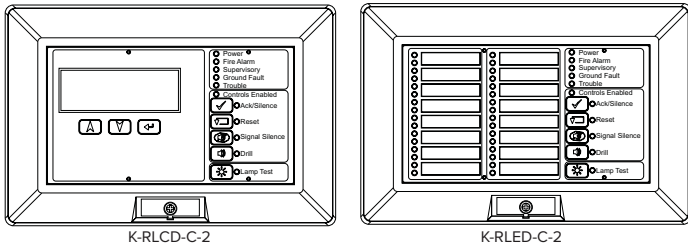
- LCD models feature large 4 x 20 character backlit LCD display
- LED models provide 16 pairs of LEDs for zone annunciation
- Available expander extends capability with 24 pairs of LEDs
- Up to two expanders may be wired to each annunciator
- Status LEDs and internal buzzer standard on all models
- Common controls available for LED and LCD display models
- Available keyswitch for disabling common controls
- Standard 4-inch square electrical box mounting
- Class B or Class A RS485 wiring standard
- One-, two-, and three-position enclosures available
- No programming required, set the address and unit receives all information from panel

\*Kidde Commercial and its authorized resellers/distributors are separate and independent entities. This relationship between vendor and reseller/distributor does not constitute a legal partnership or create any shared liability between companies.

## APPLICATION

R-Series annunciators communicate with the FACP on the RS-485 data riser. This can be configured for Class A or Class B communication. Annunciators do not provide ground fault isolation.

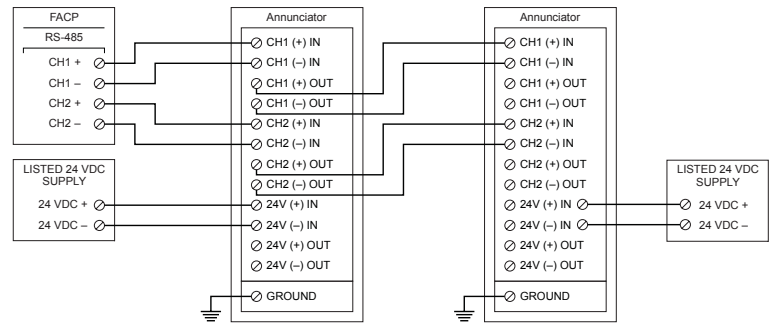
These annunciators are stand-alone units that can be powered by the FACP or by an approved power supply.



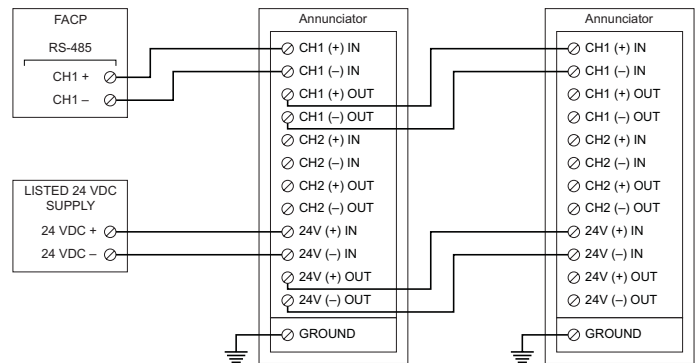
Features by model	K-RLCD-2	K-RLCD-C-2	K-RLED-C-2	K-RLED24-2
Reset	-	✓	✓	-
Ack/Silence	✓	✓	✓	-
Fire Alarm	✓	✓	✓	-
Supervisory	✓	✓	✓	-
Ground Fault	✓	✓	✓	-
Trouble	✓	✓	✓	-
Controls Enabled	✓	✓	✓	-
Ack/Silence	✓	✓	✓	-
Signal Silence	-	✓	✓	-
Drill	-	✓	✓	-
Lamp Test	✓	✓	✓	-
LCD Display	✓	✓	-	-
Zone Active LEDs	-	-	16	24
Zone Trouble LEDs	-	-	16	24

## ANNUNCIATOR WIRING

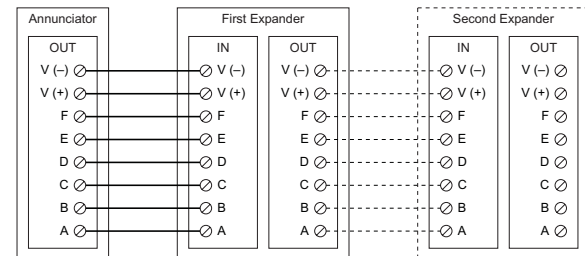
### Class A/Redundant Class B



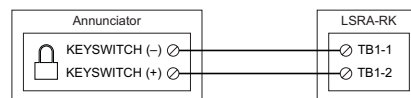
### Annunciator, Class B



### Expander

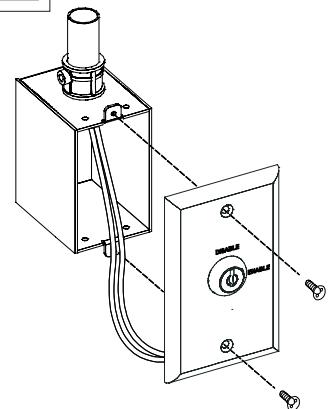


## REMOTE KEYSWITCH



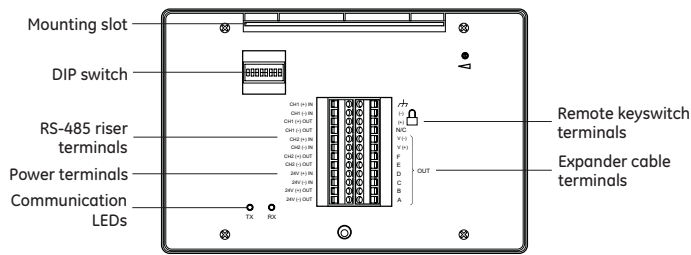
### Keyswitch Specifications

Maximum voltage	5 Vdc
Maximum current	200 mA
Mounting	2-1/2 in (64 mm) deep 1-gang box
Termination	Screw terminals
Maximum wire size	12 AWG (2.5 mm sq)
Contact configuration	Normally open

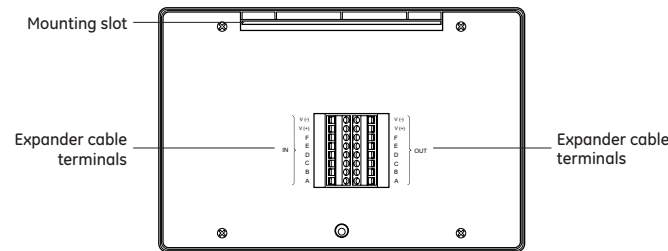


## ANNUNCIATOR CONNECTIONS

### Annunciator



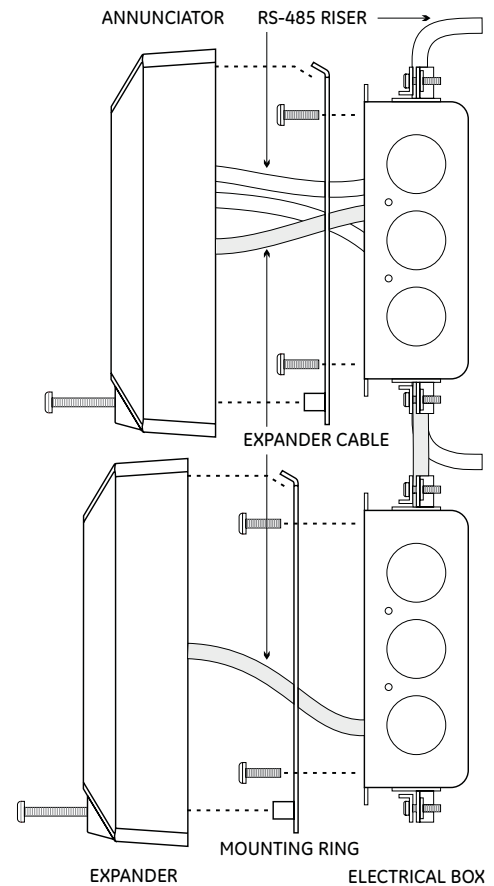
### Expander



#### DIP switch settings

Switch	Description and values
S1 to S5 Network address	The annunciator network address (in binary). The factory setting is for address 2. Examples: 1 = 10000; 2 = 01000; 3 = 11000; 4 = 00100
S6 Network baud rate	OFF = 9600 baud (factory default setting) ON = 38,400 baud
S7 to S8	Not used

## ANNUNCIATOR MOUNTING

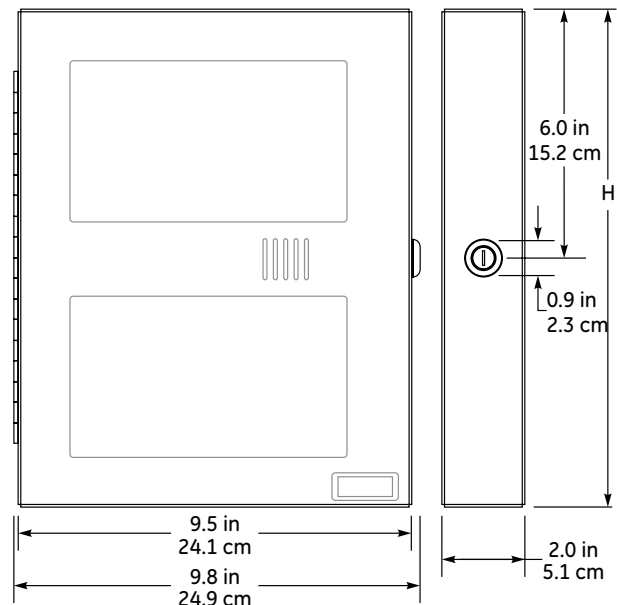
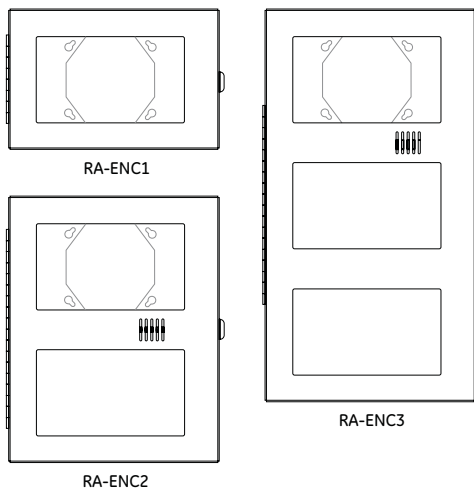


## ANNUNCIATOR ENCLOSURES

The RA Remote Annunciator Enclosures provide secure, surface mounted protection for annunciators and extenders. Each consists of a back plate, hinged cover, and key lock.

The enclosures are 16-gauge welded steel with a white, painted finish. Each enclosure includes a security lock and two keys. The two- and three-position enclosures have wiring channels for correct routing of interconnections.

The enclosures attach to a standard electrical box, and provide a mounting lip that takes the place of the integral mounting ring supplied with the annunciators and expanders.



#### Dimensions (H x W x D)

RA-ENC1	6.3 x 9.8 x 2.0 in (16.0 x 24.9 x 5.1 cm)
RA-ENC2	12.0 x 9.8 x 2.0 in (30.5 x 24.9 x 5.1 cm)
RA-ENC3	17.7 x 9.8 x 2.0 in (45.0 x 24.9 x 5.1 cm)

Note: Allow approximately 2 inches (50 cm) clearance on both sides of the enclosure, to permit inserting and removing the key, and opening the door through 90 degrees.

FIRE ALARM SYSTEMS.  
POWERED BY PARTNERSHIP.\*

## SPECIFICATIONS

	K-RLCD-C-2	K-RLCD-2	K-RLED-C-2	K-RLED24-2
Operating voltage	24 VDC, continuous.			
Standby current	62 mA	61 mA	53 mA	12 mA
Alarm current	91 mA	90 mA	98 mA	35 mA
RS-485 communications	Class B/DCLB, Redundant Class B/DCLB, or Class A/DCLA, 9600 to 115200 baud			
Data wiring	18 to 14 AWG (1.0 to 2.5 sq mm) twisted pair (6 twists per foot minimum). Maximum wire run is 4,000 ft. (1,219 m)			
Remote key switch circuit	5 VDC at 1 mA, power-limited, unsupervised			
Ground fault impedance	0			
Power wiring	18 to 14 AWG (1.0 to 2.5 sq. mm)			
Display area	4 lines of 20 characters each			
Dimensions (H x W x D)	5-5/8 x 8-1/2 x 1-1/2 in. (14.3 x 21.4 x 3.8 cm)			
Mounting	North American 4-inch square electrical box or listed enclosure Note: In Canada, install in an RA-ENC2 or RA-ENC3 enclosure			
Agency Listing	UL, ULC			
Operating environment	Temperature: 32 to 120°F (0 to 49°C) Humidity: 0 to 93% RH, noncondensing at 90°F (32°C)			

## CONTACT US

Phone: 888.244.9979 (Option 4)  
Website: [kidde-esfire.com](http://kidde-esfire.com)

8985 Town Center Pkwy,  
Bradenton, FL 34202

©2025 Walter Kidde Portable Equipment, LLC  
All rights reserved.

\*Kidde Commercial and its authorized resellers/  
distributors are separate and independent entities.  
This relationship between vendor and reseller/  
distributor does not constitute a legal partnership or  
create any shared liability between companies.

## ORDERING INFORMATION

Part	Description
<b>Remote Annunciators - Compatible with Evolve Panels</b>	
K-RLCD-2	LCD text annunciator without common controls. English.
K-RLCD-R-2	LCD text annunciator without common controls. English. Red.
K-RLCDF-2	LCD text annunciator without common controls. French.
K-RLCD-C-2	LCD text annunciator with common controls. English.
K-RLCD-CR-2	LCD text annunciator with common controls. English. Red.
K-RLCD-CF-2	LCD text annunciator with common controls. French.
K-RLED-C-2	16-pair LED zone annunciator with common controls. English.
K-RLED-CR-2	16-pair LED zone annunciator with common controls. English. Red.
K-RLED-CF-2	16-pair LED zone annunciator with common controls. French.
<b>Remote Expanders - Compatible with Evolve Panels</b>	
K-RLED24-2	24-pair LED zone expander with expander cable and zone card insert.
K-RLED24R-2	24-pair LED zone expander with expander cable and zone card insert. Red.
<b>Enclosures</b>	
RA-ENC1	One-position enclosure for Remote Annunciator.
RA-ENC2	Two-position enclosure for Remote Annunciator and one Remote Expander, including one interconnection cable.
RA-ENC3	Three-position enclosure for Remote Annunciator and two Remote Expanders, including two interconnection cables.
<b>Accessories</b>	
RKEY	Remote key switch on plate for enabling common controls (Lock/Unlock).
27193-16	Electrical box, surface mount, white, single-gang, for RKEY.