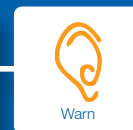




Audible Signals Catalog

Audible Signals for Safety and Communication

**Edwards
Signaling**



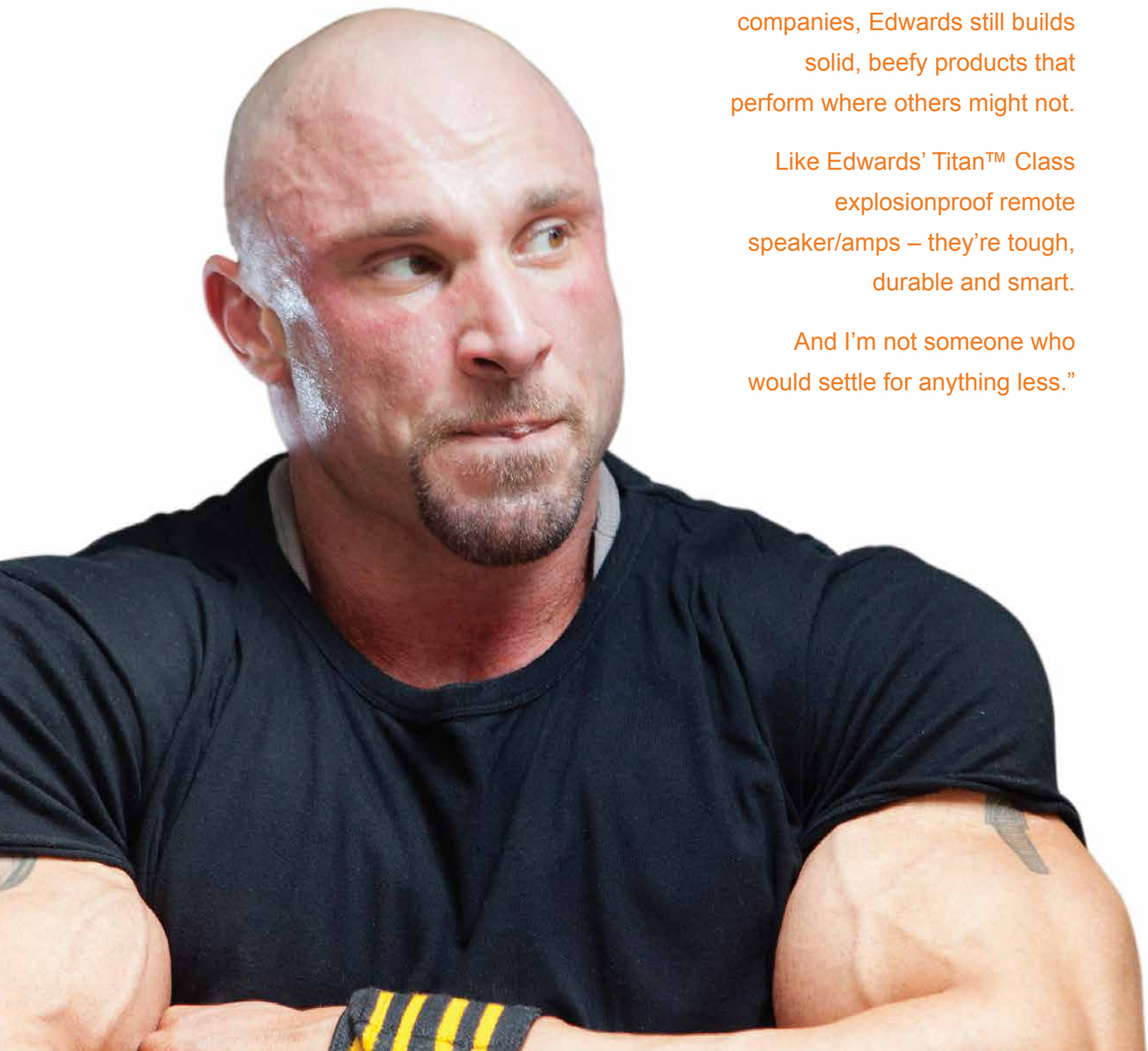
Built to Last

“You know that old saying,
‘Things are just not made the
way they used to be’?”

While that may be true for some
companies, Edwards still builds
solid, beefy products that
perform where others might not.

Like Edwards’ Titan™ Class
explosionproof remote
speaker/amps – they’re tough,
durable and smart.

And I’m not someone who
would settle for anything less.”



Product Index

From the crisp sound of a vibrating bell in the classroom, to the high decibel tone of the explosionproof horn in a hazardous location, Edwards' audible signals produce sounds designed to alert, warn, communicate and protect. Edwards' horns, bells, buzzers and sirens are the smart choice for safety and communication.

Audible Signals



Bells 4



Buzzers 16



Chimes 23



Back-up Alarms 24



Electronic Sounders 25



Klaxon Sounders 26



Horns 33



Horns and Sirens 43



Sirens 44



Klaxon Sirens 46



Electronic Audible Signals 52

Audible Signals

Table of Contents

Description	Page	Description	Page
Bells		Horns	
Vibrating 340 and 435 Series	4	Vibrating 870 Series	33
Vibrating 156G Series	6	Vibrating 870EX Series	38
Vibrating 55 Series	7	Vibrating 118 and 123A Series	40
Vibrating 740 and 744	8	Electronic 860 Series	41
Vibrating 720	9	Electronic Titan Class	42
Vibrating 438 and 439 Series	10	Horns and Sirens	
Vibrating 340EX and 435EX Series	11	Electronic D2 Class	43
Vibrating 439DEX Series	12	Sirens	
Klaxon Bells		Motor Driven 315A Series	44
Vibrating Syrex Series	13	Electronic Titan Class	45
Bells		Klaxon Sirens	
Single Stroke 432 Series	14	Motor Driven SO4 Series	46
Single Stroke 330EX Series	15	Manual Operation Lightweight Series	47
Buzzers		Motor Driven Duplo Series	48
Vibrating 340A Series	16	Motor Driven Mono Series	49
Klaxon Syrex Series	17	Motor Driven Super M Series	51
Economy 725 Series	18	Electronic Audible Signals	
Economy 1066 Series	19	Multi-Tone Signal –	
Bell Buzzer 730 Series	20	Single Input, Single Output. Millennium Class	52
Strap-Mounted 660 Series	21	Multi-Tone Signal –	
Strap-Mounted 1064 and 1065 Series	22	Four Input, Four Output . . . Millennium Class	53
Chimes		Multi-Tone Signal –	
Single Stroke 338 and 339 Series	23	Two Input, Two Output . . . Titan Class	54
Back-up Alarms		System Components Millennium Class	55
Auto Adjust		Tone Generator Millennium Class	56
and Single Tone 8001 Series	24	System Speaker Amplifier . . Millennium Class	57
Electronic Sounders		Speaker/Amp	
Audio or Audible/Visual . . . E Series	25	Remote Speaker Amplifier . Millennium Class	58
Klaxon Sounders		Electronic Audible Signals	
Electronic Syrex Series	26	Speaker Amp Millennium Class	59
Electronic Sonos Series	27	Speaker Amp Titan Class	60
Electronic Nexus Series	30	Paging Devices Millennium Class	61

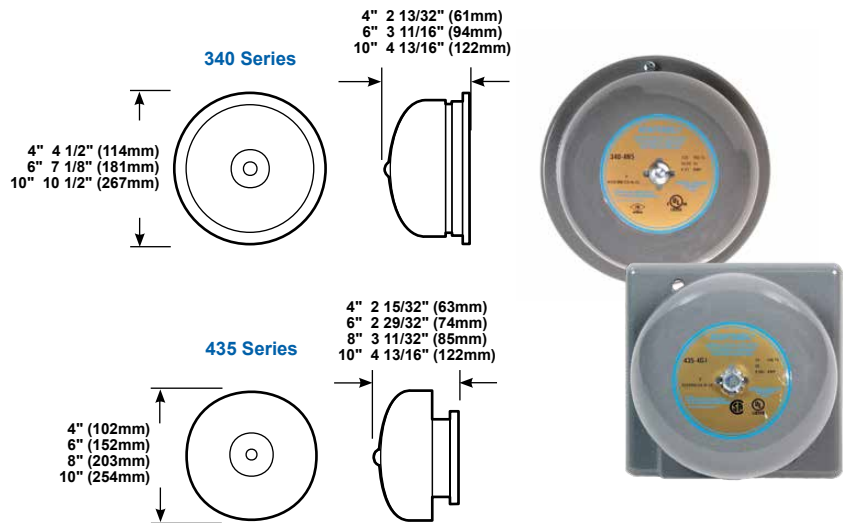
Bells

Vibrating

340 and 435 Series

Features and Specifications

- 4", 6" and 10" gong sizes in AC versions
- 4", 6", 8" and 10" gong sizes in DC versions
- Completely assembled with all hardware supplied
- Die cast housing
- Corrosion resistant heat flowed epoxy finish
- Mounts directly on surface or electrical box
- Optional flush mount grille and wall box available separately
- Self-compensating solenoid plunger
- FM approved (AC Bells only)



Ordering Information

Description	Cat. No.	Operating Voltage	Current	VA	Gong Size	dB at 1m/10ft.	DC Coil Res (Ohms)
AC	340-4E5	12V AC	0.620 A	7.4	4" (102mm)	98/88	13
	340-6E5	12V AC	0.700 A	8.4	6" (152mm)	102/92	8
	340-4FM ¹	16V AC	0.470 A	7.4	4" (102mm)	98/88	22
	340-6FM	16V AC	0.500 A	8.0	6" (152mm)	102/92	13
	340-4G5	24V AC	0.310 A	7.4	4" (102mm)	98/88	50
	340-6G5	24V AC	0.350 A	8.4	6" (152mm)	102/92	30
	340-10G5	24V AC	0.350 A	8.4	10" (254mm)	106/96	30
	340-4N5	120V AC	0.070 A	8.4	4" (102mm)	98/88	1300
	340-6N5	120V AC	0.070 A	8.4	6" (152mm)	102/92	700
	340-10N5	120V AC	0.070 A	8.4	10" (254mm)	106/96	700
	340-4R5	240V AC	0.040 A	9.6	4" (102mm)	98/88	5000
	340-6R5	240V AC	0.040 A	9.6	6" (152mm)	102/92	2650
	340-10R5	240V AC	0.040 A	9.6	10" (254mm)	106/96	2650
DC	435-4C1	6V DC	0.250 A	1.5	4" (102mm)	100/90	11
	435-6C1	6V DC	0.250 A	1.5	6" (152mm)	102/92	11
	435-8C1	6V DC	0.250 A	1.5	8" (203mm)	103/93	11
	435-4E1	12V DC	0.125 A	1.5	4" (102mm)	100/90	40
	435-6E1	12V DC	0.125 A	1.5	6" (152mm)	102/92	40
	435-8E1	12V DC	0.125 A	1.5	8" (203mm)	103/93	40
	435-10E1	12V DC	0.125 A	1.5	10" (254mm)	104/94	40
	435-4G1	24V DC	0.062 A	1.5	4" (102mm)	100/90	155
	435-6G1	24V DC	0.062 A	1.5	6" (152mm)	102/92	155
	435-8G1	24V DC	0.062 A	1.5	8" (203mm)	103/93	155
	435-10G1	24V DC	0.062 A	1.5	10" (254mm)	104/94	155
	435-4J1	32V DC	0.047 A	1.5	4" (102mm)	100/90	275
	435-6J1	32V DC	0.047 A	1.5	6" (152mm)	102/92	275
	435-6K1	48V DC	0.031 A	1.5	6" (152mm)	102/92	620
	435-4P1	125V DC	0.012 A	1.5	4" (102mm)	100/90	3000
	435-6P1	125V DC	0.012 A	1.5	6" (152mm)	102/92	3000
	435-8P1	125V DC	0.012 A	1.5	8" (203mm)	103/93	3000
	435-10P1	125V DC	0.012 A	1.5	10" (254mm)	104/94	3000
435-6S1	250V DC	0.008 A	2.0	6" (152mm)	100/90	6100	
435-10S1	250V DC	0.008 A	2.0	10" (254mm)	100/90	6100	

¹Not UL Listed.



Bells

Vibrating

340 and 435 Series

Accessories	
Description	Cat. No.
Outdoor Back Box for 4" AC Bells	348
Outdoor Back Box for 6" Bells or 10" AC Bells	349
Outdoor Back Box for DC Bells	449
Flush Mount Grille for 4" Bells	511-A ¹
Flush Mount Grille for 6" Bells	512-A ²
Flush Mount Grille for 10" Bells	513-A ³
Wall Box for 4" Bells	511-1
Wall Box for 6" Bells	512-1
Wall Box for 10" Bells	513-1

¹511-A must be used with 511-1.

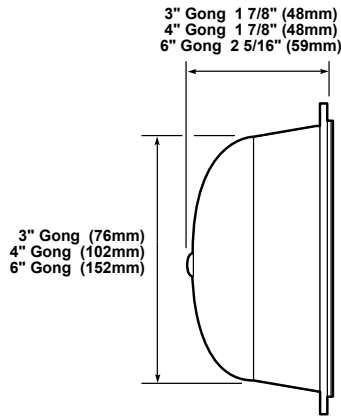
²512-A must be used with 512-1.

³513-A must be used with 513-1.

Bells Vibrating 156G Series

Features and Specifications

- 3", 4" and 6" gong sizes
- Corrosion resistant gray finish
- Supplied with gasket for outdoor applications
- Low current draw permits long wire runs
- Mounts on 3 3/4" (95mm) bolt circle



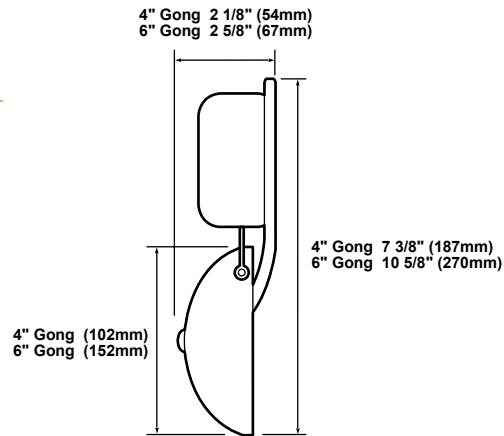
Ordering Information					
Description	Cat. No.	Operating Voltage	Current	Gong Size (Dim. A)	dB at 1m/10ft.
AC	156G-3G5	24V AC	0.30 A	3" (76mm)	82/72
	156G-4G5	24V AC	0.30 A	4" (102mm)	86/76
	156G-6G5	24V AC	0.30 A	6" (152mm)	90/80
DC	156G-3AX	12-18V DC	0.20 A	3" (76mm)	82/72
	156G-6AW	20-24V DC	0.15 A	6" (152mm)	90/80
	156G-3G1	24V DC	0.15 A	3" (76mm)	82/72
	156G-4G1	24V DC	0.15 A	4" (102mm)	86/76
	156G-6G1	24V DC	0.15 A	6" (152mm)	90/80
AC/DC	156G-3J1	32V DC	0.11 A	3" (76mm)	82/72
	156G-3AM	6-8V DC 8-10V AC	0.80 A	3" (76mm)	82/72
	156G-4AM	6-8V DC 8-10V AC	0.80 A	4" (102mm)	86/76
	156G-6AM	6-8V DC 8-10V AC	0.80 A	6" (152mm)	90/80



Bells Vibrating 55 Series

Features and Specifications

- Gray finish
- Low current drain permits long wire runs
- 4" and 6" gong sizes



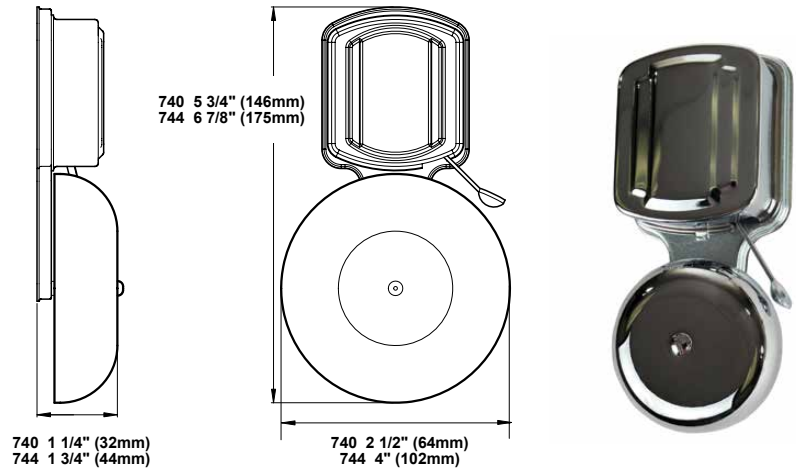
Ordering Information							
Description	Cat. No.	Operating Voltage	Current	VA	Gong Size (Dim. A)	dB at 1m/10ft.	DC Coil Res (Ohms)
AC	55-4G5	24V AC	0.20 A	4.8	4" (102mm)	78/68	20.0
	55-6G5	24V AC	0.20 A	4.8	6" (152mm)	84/74	24.0
AC/DC	55-4AM	6V DC	0.85 A	5.1	4" (102mm)	78/68	2.2
		8V AC	1.10 A	8.8			
	55-6AM	6V DC	0.80 A	4.8	6" (152mm)	84/74	1.9
		8V AC	1.00 A	8.0			



Bells Vibrating 740 and 744

Features and Specifications

- Exposed gong
- Attractive snap-on covers
- Corrosion resistant chrome finish
- Enclosed binding posts



Ordering Information

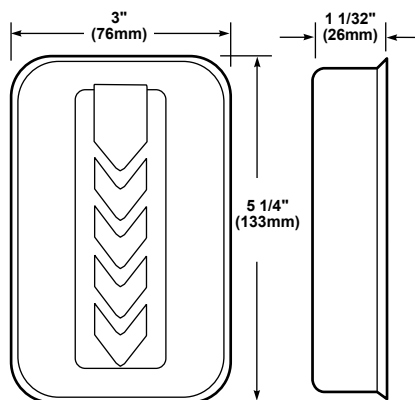
Description	Cat. No.	Operating Voltage	Current	VA	dB at 1m/10ft.	DC Coil Res (Ohms)
Non Adjustable, Vibrating	740	6-8V AC 3-6V DC	1.0 A max	7.0	100/90	1.5
	744	6-8V AC 3-6V DC	1.0 A max	10.0	100/90	1.5



Bells Vibrating 720

Features and Specifications

- Attractive snap-on covers
- Corrosion resistant metallic finish
- Enclosed binding posts



Ordering Information

Description	Cat. No.	Operating Voltage	Current	VA	dB at 1m/10ft.	DC Coil Res (Ohms)
Fully Enclosed, Non Adjustable	720	6-8V AC 3-6V DC	1.20 A	7.0	88/78	1.5



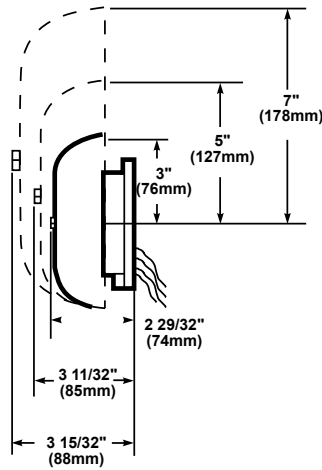
Bells

Vibrating

438 and 439 Series

Features and Specifications

- 6", 8" and 10" gong sizes
- Heavy duty die cast housing
- Steel alloy gong with epoxy powder coating
- Back box available for use in outdoor applications
- Under dome mechanism
- Available in red or gray
- Lead length: 10" (25mm)
- Diode polarized for use on supervised circuits



AUDIBLE SIGNALS

Ordering Information						
Description	Cat. No.	Operating Voltage	Current	Gong Size	Color	dB at 1m/10ft.
AC	438D-6N5	120V AC	0.034 A	6" (152mm)	Gray	76/66 ¹
	438D-6N5-R	120V AC	0.034 A	6" (152mm)	Red	76/66 ¹
	438D-8N5	120V AC	0.034 A	8" (203mm)	Gray	85/75 ¹
	438D-8N5-R	120V AC	0.034 A	8" (203mm)	Red	85/75 ¹
	438D-10N5	120V AC	0.034 A	10" (254mm)	Gray	89/79 ¹
	438D-10N5-R	120V AC	0.034 A	10" (254mm)	Red	89/79 ¹
DC	439D-6RAU	12V DC	0.150 A	6" (152mm)	Red	95/85
	439D-10RAU	12V DC	0.150 A	10" (254mm)	Red	96/86
	439D-6AW	20-24V DC	0.085 A	6" (152mm)	Gray	92/82 ¹
	439D-6AW-R	20-24V DC	0.085 A	6" (152mm)	Red	92/82 ¹
	439D-8AW	20-24V DC	0.085 A	8" (203mm)	Gray	92/82 ¹
	439D-8AW-R	20-24V DC	0.085 A	8" (203mm)	Red	92/82 ¹
	439D-10AW	20-24V DC	0.085 A	10" (254mm)	Gray	95/85 ¹
	439D-10AW-R	20-24V DC	0.085 A	10" (254mm)	Red	95/85 ¹

¹Anechoic Chamber

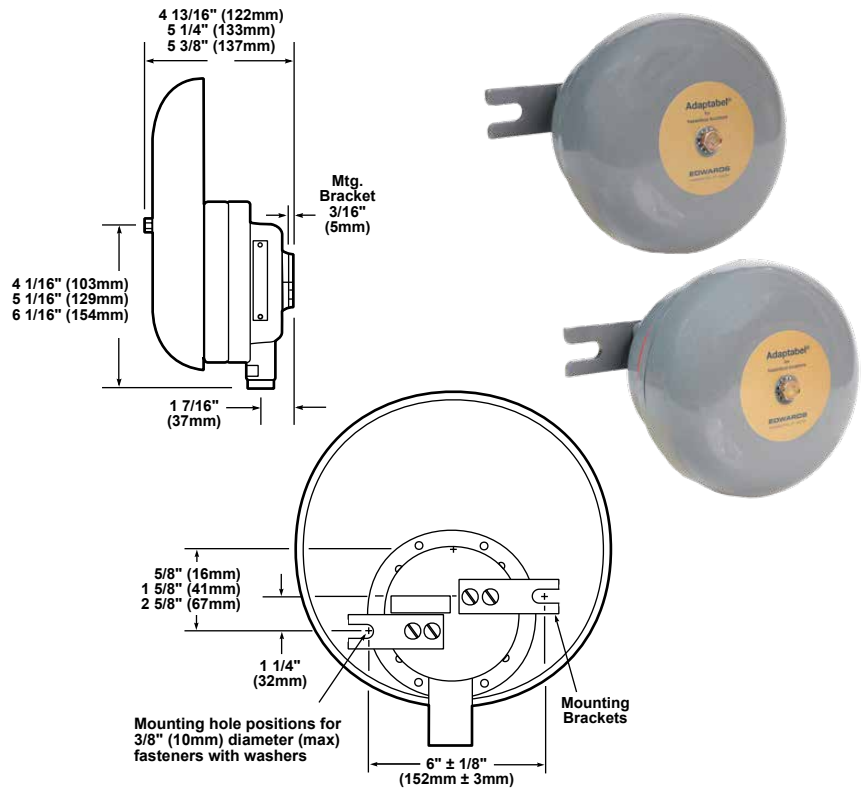
Accessories	
Description	Cat. No.
Outdoor Back Box for AC and DC Bells	449



Bells Vibrating 340EX and 435EX Series

Features and Specifications

- 6", 8" and 10" gong sizes
- Completely assembled
- Corrosion resistant finish
- Mounts directly on any solid surface
- Low power draw for efficient operation over long runs
- Suitable for use in outdoor applications
- Adjustment free self-compensating solenoid plunger
- UL listed for Class I, Divisions 1 and 2, Groups B, C and D; Class II, Divisions 1 and 2, Groups E, F and G; Class III
- NEMA Type 4 enclosure



Ordering Information

Description	Cat. No.	Operating Voltage ¹	Current	Gong Size	dB at 1m/10ft.
AC	340EX-6G5	24V AC	0.210 A	6" (152mm)	94/84
	340EX-10G5	24V AC	0.210 A	10" (254mm)	98/88
	340EX-6N5	120V AC	0.041 A	6" (152mm)	94/84
	340EX-8N5	120V AC	0.041 A	8" (203mm)	99/89
	340EX-10N5	120V AC	0.041 A	10" (254mm)	98/88
	340EX-6R5	240V AC	0.021 A	6" (152mm)	94/84
	340EX-10R5	240V AC	0.021 A	10" (254mm)	98/88
	DC	435EX-6C1	6V DC	1.520 A	6" (152mm)
435EX-6E1		12V DC	0.520 A	6" (152mm)	96/86
435EX-10E1		12V DC	0.520 A	10" (254mm)	99/89
435EX-6G1		24V DC	0.240 A	6" (152mm)	93/83
435EX-8G1		24V DC	0.290 A	8" (203mm)	96/86
435EX-10G1		24V DC	0.290 A	10" (254mm)	99/89
435EX-6K1		48V DC	0.110 A	6" (152mm)	93/83
435EX-8K1		48V DC	0.110 A	8" (203mm)	96/86
435EX-6P1		125V DC	0.040 A	6" (152mm)	93/83
435EX-8P1		125V DC	0.040 A	8" (203mm)	96/86
435EX-10P1		125V DC	0.040 A	10" (254mm)	99/89
435EX-6S1		250V DC	0.023 A	6" (152mm)	93/83
435EX-8S1		250V DC	0.023 A	8" (203mm)	96/86
DC, Diode Polarized		435DEX-6G1	24V DC	0.290 A	6" (152mm)
	435DEX-8G1	24V DC	0.290 A	8" (203mm)	96/86
	435DEX-10G1	24V DC	0.290 A	10" (254mm)	99/89

¹AC voltage frequency is 50/60 Hz.



AUDIBLE SIGNALS

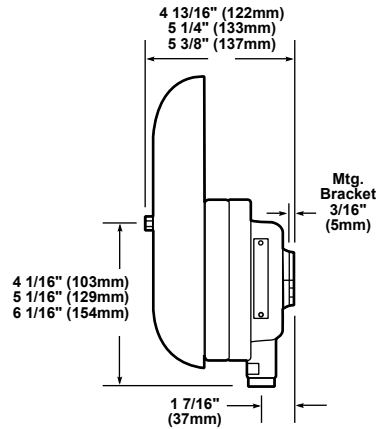
Bells

Vibrating

439DEX Series

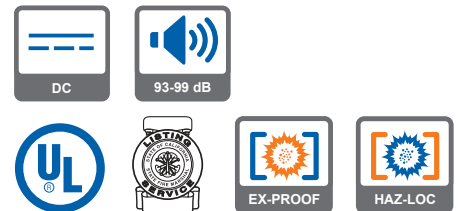
Features and Specifications

- 6", 8" and 10" gong sizes
- Completely assembled
- Corrosion resistant gray epoxy finish
- Suitable for use in indoor applications
- Mounts directly on any solid surface
- Low power draw for efficient operation over long runs
- Adjustment free self-compensating solenoid plunger
- Wire leads and sealing fitting for connection to 3/4" conduit
- UL listed for Class I, Divisions 1 and 2, Groups B, C and D; Class II, Divisions 1 and 2, Groups E, F and G; Class III
- Diode polarized for use on supervised circuits



Ordering Information

Description	Cat. No.	Operating Voltage	Current	Gong Size (Dim. A)	dB at 1m/10ft.	Color
DC Fire Alarm	439DEX-6AW	20-24V DC	0.240 A	6" (152mm)	93/83	Gray
	439DEX-8AW	20-24V DC	0.240 A	8" (203mm)	96/86	Gray
	439DEX-10AW	20-24V DC	0.240 A	10" (254mm)	99/89	Gray
	439DEX-6AW-R	20-24V DC	0.240 A	6" (152mm)	93/83	Red
	439DEX-8AW-R	20-24V DC	0.240 A	8" (203mm)	96/86	Red
	439DEX-10AW-R	20-24V DC	0.240 A	10" (254mm)	99/89	Red



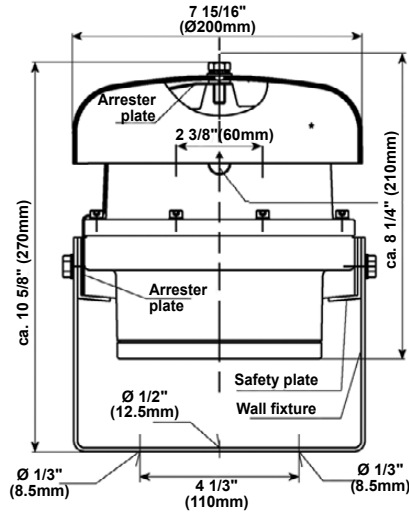
Klaxon Bells

Vibrating

Syrex Series

Features and Specifications

- Clear audible signal designed to penetrate background noise
- Glass fiber reinforced polyester construction with stainless steel fittings
- IP66 rated
- Rated for Category 2 use (formerly Zone 1 & 2)
- ATEX approved
- II 2G Exd e IIC T6
- Operating temperature range: -4°F to 104°F (-20°C to 40°C)



Ordering Information

Description	New Cat. No. (use for ordering)	Old Cat. No.	Operating Voltage ¹	Current	Color	dB at 1m/10ft.
AC	TCA-0003	17-970233	110V AC	0.140 A	Black/Gray	105/95
	TCA-0002	17-970232	230V AC	0.060 A	Black/Gray	105/95
DC	TCA-0004	17-970234	24V DC	0.320 A	Black/Gray	105/95

¹AC voltage frequency is 50/60 Hz.

AC

DC

105 dB

104°F
-4°F
OP TEMP

IP66

ENCLOSURE

EX-PROOF

HAZ-LOC

Ex

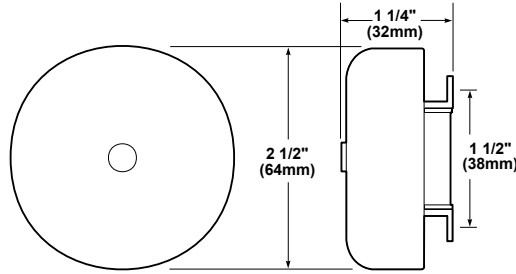
Bells

Single Stroke

432 Series

Features and Specifications

- 2 1/2" solid brass shell
- Economical
- Lower current draw permits long wire runs
- Single stroke



Ordering Information

Description	Cat. No.	Operating Voltage	Current	VA	dB at 1m/10ft.	DC Coil Res (Ohms)
Single Stroke	432-G5	24V AC	0.350 A	8.4	82/72	33.0
	432-N5	120V AC	0.065 A	7.8	82/72	864.0



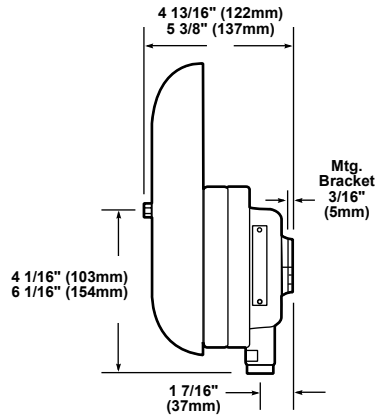
Bells

Single Stroke

330EX Series

Features and Specifications

- Single stroke or coded intermittent stroke
- Completely assembled
- Sealing fitting for 3/4" (19mm) conduit and wire leads for power connections
- Mounts directly on surface
- Self-compensating solenoid plunger
- Low power drain for efficient operation over long wire runs
- Available with 6" or 10" gongs
- Corrosion resistant heat flowed epoxy finish
- Suitable for use in outdoor applications
- NEMA Type 4 housing
- UL Listed for Class I, Divisions 1 and 2, Groups B, C & D; Class II, Divisions 1 and 2, Groups E, F & G; and Class III

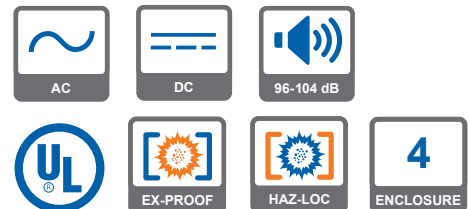


Ordering Information

Description	Cat. No.	Operating Voltage ¹	Current ²	Gong Size (Dim. A)	dB at 1m/10ft.
AC Single Stroke	332EX-6N5	120V AC	0.43 A	6" (152mm)	96/86
	332EX-10N5	120V AC	0.43 A	10" (254mm)	104/94
	332EX-6R5	240V AC	0.20 A	6" (152mm)	96/86
	332EX-10R5	240V AC	0.20 A	10" (254mm)	104/94
DC Single Stroke	333EX-6G1	24V DC	3.50 A	6" (152mm)	96/86
	333EX-10G1	24V DC	3.50 A	10" (254mm)	104/94
	333EX-6P1	125V DC	0.52 A	6" (152mm)	96/86

¹AC voltage frequency is 50/60 Hz.

²Single pulse duration - 8 to 16 milliseconds



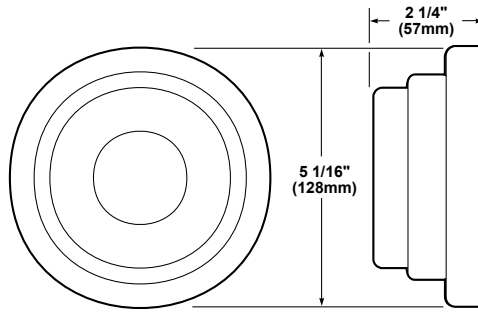
Buzzers

Vibrating

340A Series

Features and Specifications

- AC models are volume adjustable
- Vibrating armature
- Convenient plug-in connection
- Corrosion resistant heat flowed epoxy finish
- UL and FM Approved (**AC buzzers only**)



Ordering Information

Description	Cat. No.	Operating Voltage ¹	Current	VA	dB at 1m/10ft.	DC Coil Res (Ohms)
AC	340A-G5	24V AC	0.250 A	6.0	80/70	28
	340A-N5	120V AC	0.050 A	6.0	80/70	725
	340A-R5	240V AC	0.030 A	7.2	80/70	2900
DC	343A-E1	12V DC	0.330 A	4.0	72/62	9.4
	343A-G1	24V DC	0.150 A	3.6	72/62	28
	343A-M1	75V DC	0.065 A	4.9	72/62	360
	343A-P1	125V DC	0.040 A	5.0	72/62	1000

¹AC voltage frequency is 50/60 Hz.




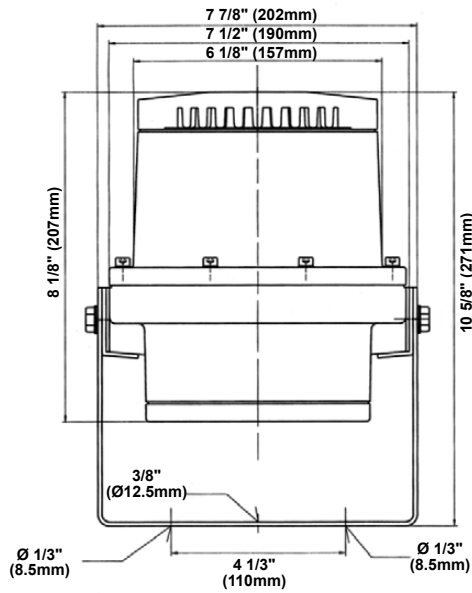
Buzzers

Klaxon

Syrex Series

Features and Specifications

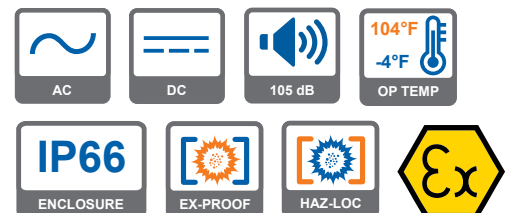
- Heavy duty buzzer
- Rugged construction
- Glass Fiber reinforced polyester construction
- IP66 rated case
- Rated for Category 2 use (formerly Zone 1 & 2)
- ATEX approved
-  II 2G Exd e IIC T6
- Operating temperature range: -4°F to 104°F (-20°C to 40°C)



Ordering Information

Description	New Cat. No. (use for ordering)	Old Cat. No.	Operating Voltage ¹	Current	Color	dB at 1m/10ft.
AC	TCA-0069	17-970235	110V AC	0.150 A	Black	105/95
	TCA-0001	17-970220	230V AC	0.070 A	Black	105/95
DC	TCA-0005	17-970236	24 DC	0.650 A	Black	105/95

¹AC voltage frequency is 50/60 Hz.



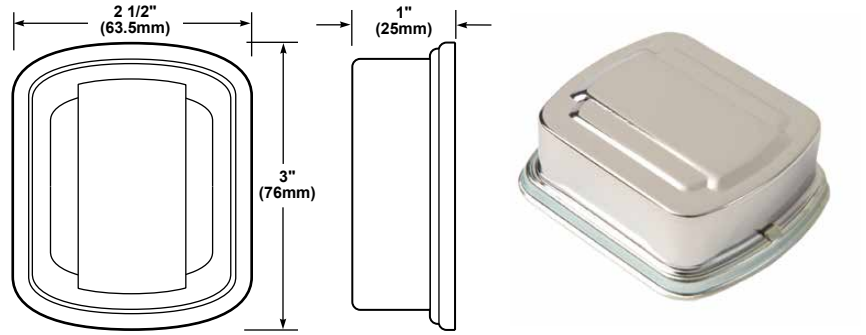
Buzzers

Economy

725 Series

Features and Specifications

- Fully enclosed
- Bright chrome finish snap-on cover
- Enclosed binding posts



Ordering Information

Description	Cat. No.	Operating Voltage	Current	VA	dB at 1m/10ft.	DC Coil Res (Ohms)
Buzzer	725	6-8V AC	1.2 A max.	7.2	92/82	1.0



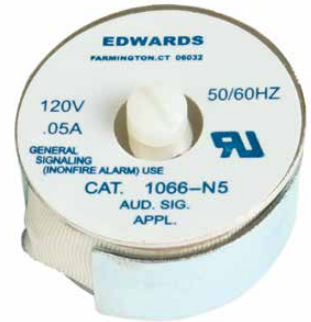
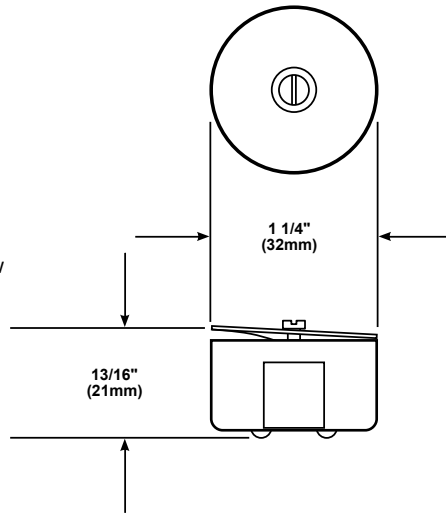
Buzzers

Economy

1066 Series

Features and Specifications

- Adjustable volume
- Flying leads
- Lower power draw permits long wire runs
- Zinc-plated finish
- Attaches to mounting surface using #6-32 screw



Ordering Information

Description	Cat. No.	Operating Voltage ¹	Current	VA	dB at 1m/10ft.	DC Coil Res (Ohms)
High Voltage Buzzer	1066-G5	24V AC	0.25 A	6	84/74	36
	1066-N5	120V AC	0.05 A	6	84/74	925
	1066-R5	240V AC	0.025 A	6	84/74	3600

¹AC voltage frequency is 50/60 Hz.



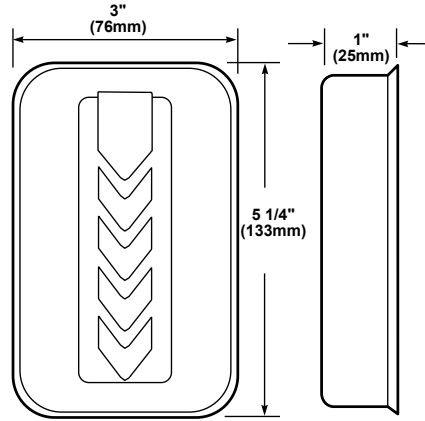
Buzzers

Bell Buzzer

730 Series

Features and Specifications

- Fully enclosed
- Satin aluminum finish
- Attractive snap-on covers
- Enclosed binding posts
- Enclosed terminals



Ordering Information

Description	Cat. No.	Operating Voltage ¹	Current	VA	dB at 1m/10ft.	DC Coil Res (Ohms)
Bell and Buzzer	730	6V AC	0.7 A	4.2	92/82	3
		3-6V DC	1.4 A	8	92/82	3
		6-8V AC	1.4 A	8	92/82	3

¹AC voltage frequency is 60 Hz.



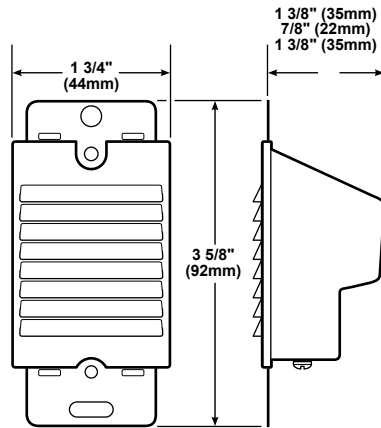
Buzzers

Strap-Mounted

660 Series

Features and Specifications

- Easy flush mounting
- Cover with a single receptacle outlet cover plate (user supplied)



Ordering Information

Description	Cat. No.	Operating Voltage	Current ¹	VA	dB at 1m/10ft.	DC Coil Res (Ohms)
Ringcall™ Bell	660	8-10V AC	1.5 A	15	90/80	4.75
Buzacall™ Buzzer	661	8-10V AC	1.3 A	13	90/80	6
Tucall™ Bell/Buzzer	662	8-10V AC	1.5 A	15	90/80	4.75

¹Ratings at 10V AC



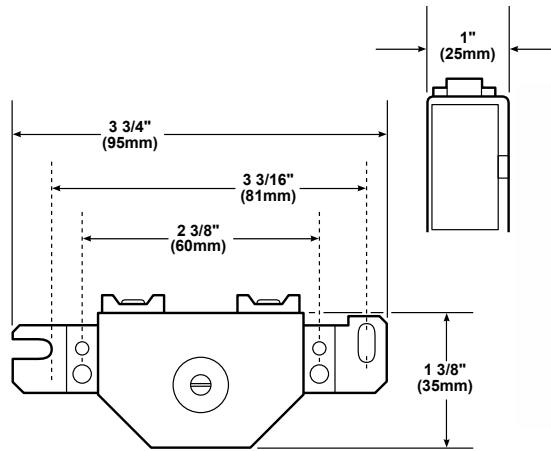
Buzzers

Strap-Mounted

1064 and 1065 Series

Features and Specifications

- Adjustable volume
- Terminal connectors (**1064**)
- Flying leads (**1065**)
- Lower power draw permits long wire runs
- Zinc-plated finish



Ordering Information

Description	Cat. No.	Operating Voltage ¹	Current	VA	dB at 1m/10ft.	DC Coil Res (Ohms)
Buzzer with Terminals	1064-G5	24V AC	0.25 A	6	86/76	36
	1064-N5	120V AC	0.05 A	6	86/76	925
	1064-R5	240V AC	0.025 A	6	86/76	3600
Buzzer with Flying Leads	1065-G5	24V AC	0.25 A	6	86/76	36
	1065-N5	120V AC	0.05 A	6	86/76	925
	1065-R5	240V AC	0.025 A	6	86/76	3600

¹AC voltage frequency is 50/60 Hz.



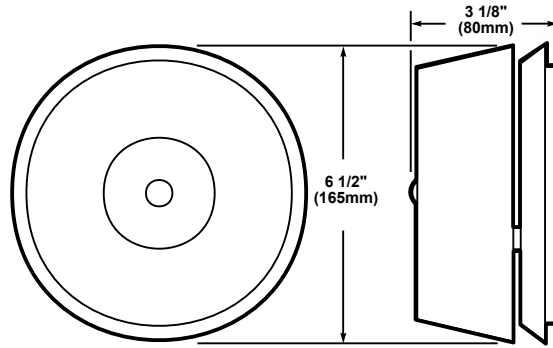
Chimes

Single Stroke

338 and 339 Series

Features and Specifications

- No exposed terminals
- Tamper-proof cover screw
- Plastic tipped stainless steel striker
- Satin aluminum finish



The mounting plate mounts on any plaster cover with mounting holes on 2 3/4" (70mm) centers, on any single gang opening, on any 3 1/4" (83mm), 3 1/2" (89mm), or 4" (102mm) octagon or square box. Also mounts directly on any wall surface.

For flush mounting use Cat. No. 512-A grille and 512-1 back box.

Ordering Information

Description	Cat. No.	Operating Voltage ¹	Current	VA	dB at 1m/10ft.
Single Stroke Chime	338-G5	24V AC	0.5 A	12	91/81
	338-N5	120V AC	0.1 A	12	91/81
Single Stroke Chime	339-E1	12V DC	0.6 A	7.2	91/81
	339-G1	24V DC	0.3 A	7.2	91/81

¹AC voltage frequency is 50/60 Hz.

Accessories

Description	Cat. No.
Flush Mount Grille and Wall Box	512-A
Back Box	512-1



Back-up Alarms

Auto Adjust and Single Tone

8001 Series

Features and Specifications

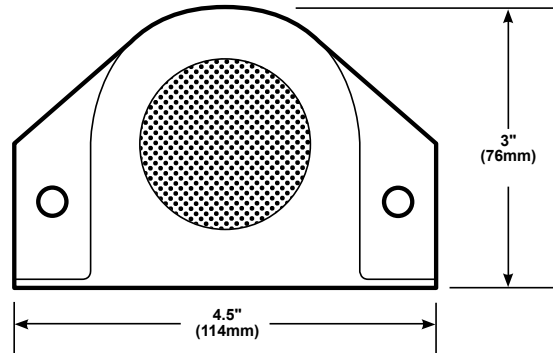
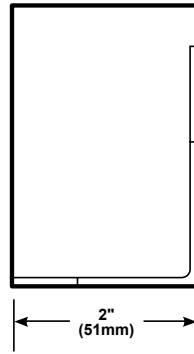
- Solid state, epoxy-sealed electronics
- Conforms to SAE J994 sound level Type C requirements

8001-EG

- Auto adjusts out volume to 10dB above ambient to compensate for background noise
- Die-Cast Construction suitable for outdoor applications

8002-EU

- ABS Plastic Housing suitable for outdoor applications



Ordering Information

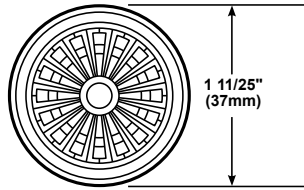
Description	Cat. No.	Operating Voltage	dB at 1m/10ft.
Die Cast Housing	8001-EG	12-24V DC	112/102
ABS Plastic Housing	8002-EU	12-36V DC	107/97



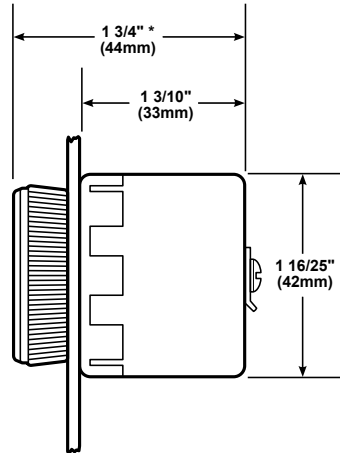
Electronic Sounders Audio or Audible/Visual E Series

Features and Specifications

- Low cost and size
- Solid state, long life
- High impact polystyrene case
- Pulsating audio or audio/visual models available
- Terminal connections
- Operating temperature range: 32°F to 131°F (0°C to 55°C)
- Frequency: 2.8 kHz
- Thread size: 1 5/32"



*Does not include panel thickness

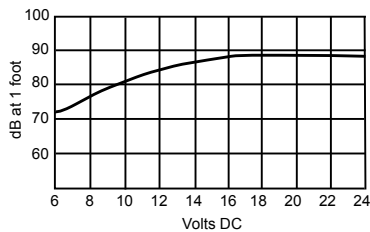


Ordering Information

Description	Cat. No.	Operating Voltage	Current	VA	Pulsating Rate	LED Intensity
Steady Audio	E102A	12-24V DC	0.010-0.018 A	0.12-0.44	—	—
Pulsating Audio	E103A	12-24V DC	0.010-0.018 A	0.12-0.44	90-60	—
Steady Audio/Visual	E104A	12-24V DC	0.016-0.030 A	0.20-0.75	—	1.3 mcd
Pulsating Audio/Visual	E105AE	12-24V DC	0.016-0.030 A	0.20-0.75	90-60	1.3 mcd

Decibels vs. Voltage for Lumatone Audio Signals

Typical at Normal Temperature



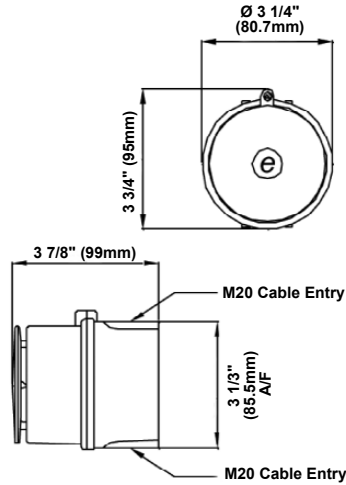
Klaxon Sounders

Electronic

Syrex Series

Features and Specifications

- Choice of 49 tones
- Auto synchronized sound output
- ABS flame retardant UL94V0 and 5VA housing
- IP65 rated housing
- Volume control
- Operating temperature range: -40°F to 140°F (-40°C to 60°C)
- Ⓜ II 1G EEx ia IIC T4
- ATEX Zones 0, 1, 2

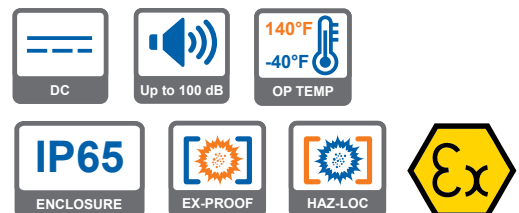


Ordering Information

Description	New Cat. No. (use for ordering)	Old Cat. No.	Operating Voltage	Current (Tone Dependent)	dB at 1m/10ft.	Tones
Alarm Sounder	TCA-0023	17-970328	6-28V DC	0.025 A	Up to 100/90	Up to 49

Accessories

Description	New Cat. No. (use for ordering)	Old Cat. No.
Single Channel Galvanic Isolator	TCA-0042	17-970362
Dual Channel Galvanic Isolator	TCA-0066	17-970395
IS DIN-rail Enclosure, accepts two Isolators	TCA-0065	17-970392



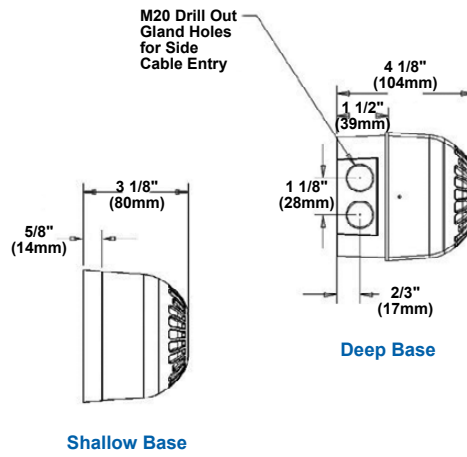
Klaxon Sounders

Electronic

Sonos Series

Features and Specifications

- 2 alarm stages
- 32 tones
- Tone and volume can be preset or adjusted off-base
- Synchronised alarm tones
- Volume control - Typical 8dB Combined
- Polycarbonate construction
- IP65 (deep base) and IP21 (shallow base) housing
- EN54-3 Type A (shallow base) and EN54-3 Type B (deep base) compliance
- Operating temperature range: -8°F to 158°F (-25°C to 70°C)



Ordering Information

Description	New Cat. No. (use for ordering)	Old Cat. No.	Operating Voltage	Current	Color	dB at 1m/10ft.	Tones
Shallow Base	PSS-0003	18-980450	9-60V DC	0.004-0.041 A	Red	Up to 106/96	32
	PSS-0039	18-980475	9-60V DC	0.004-0.041 A	White	Up to 106/96	32
Deep Base	PSS-0020	18-980451	9-60V DC	0.004-0.041 A	Red	Up to 106/96	32
	PSS-0050	18-980476	9-60V DC	0.004-0.041 A	White	Up to 106/96	32

DC

Up to 106 dB

158°F
-8°F
OP TEMP

IP65

ENCLOSURE

Deep Base

IP2

ENCLOSURE

Shallow Base

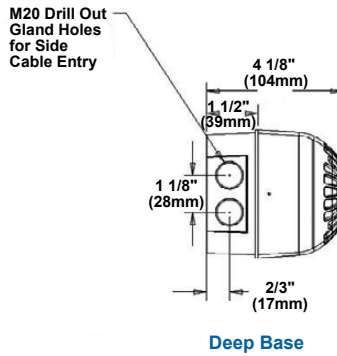
Klaxon Sounders

Electronic

Sonos Series


Features and Specifications

- Dual Voltage 110V AC or 230V AC
- Synchronized alarm tones
- Volume control - 20dB
- Polycarbonate construction
- IP65 rated housing
- Operating temperature range: -8°F to 131°F (-25°C to 55°C)




Ordering Information


Description	New Cat. No. (use for ordering)	Old Cat. No.	Operating Voltage	Current	Color	dB at 1m/10ft.	Tones
Deep Base	PSS-0060	18-980480	110-230V AC	0.080 A	Red	Up to 102/92	32
	PSS-0063	18-980481	110-230V AC	0.080 A	White	Up to 102/92	32



AC



102 dB



131°F
-8°F
OP TEMP

IP65

ENCLOSURE

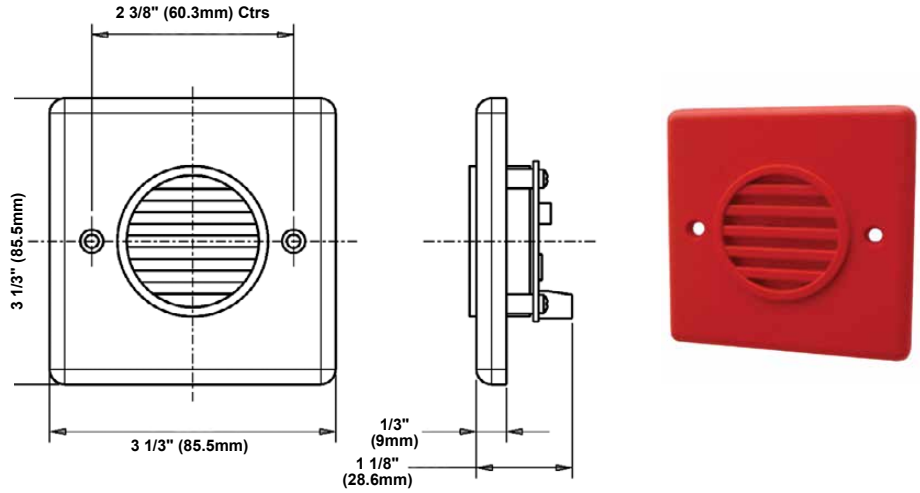
Klaxon Sounders

Electronic

Sonos Series

Features and Specifications

- Flush mount sounder
- 10 distinct alarm tones
- Volume control
- ABS construction
- Operating temperature range: 14°F to 131°F (-10°C to 55°C)



Ordering Information							
Description	New Cat. No. (use for ordering)	Old Cat. No.	Operating Voltage	Current (Tone dependent)	Color	dB at 1m/10ft.	Tones ¹
Compact Sounder	PSS-0033	18-980455	10-30V DC	0.007-0.011 A	Red	Up to 90/80	10
	PSS-0035	18-980456	10-30V DC	0.007-0.011 A	White	Up to 90/80	10

¹Tones 1-9 and tone 13 from the standard 32 tone list

AUDIBLE SIGNALS



Klaxon Sounders

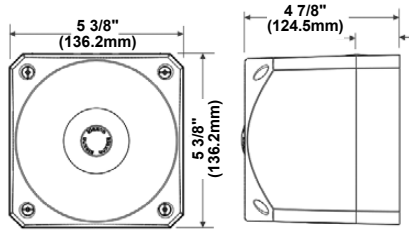
Electronic

Nexus Series

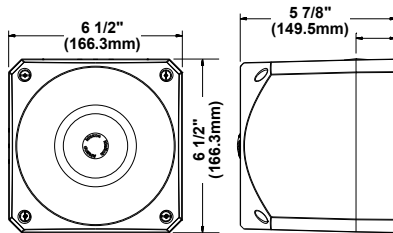
Features and Specifications

- Three alarm stages
- Volume control for greater flexibility - 20dB
- 64 tones
- IP66 rated
- Compliance to EN54-3 Type B
- Operating temperature range: -13°F to 158°F (-25°C to 70°C)

105dB Sounder





110dB and 120dB Sounders




Ordering Information

Description	New Cat. No. (use for ordering)	Old Cat. No.	Operating Voltage	Current	Color	dB at 1m/10ft.
Nexus 105	PNS-0001	18-980542	10-60V DC	0.008-0.040 A	Red	105/95
Nexus 110	PNS-0013	18-980554	10-60V DC	0.010-0.050 A	Red	110/100
Nexus 120	PNS-0005	18-980545	10-60V DC	0.120-0.550 A	Red	120/110


DC


105-120 dB


158°F
-13°F
OP TEMP

IP66

ENCLOSURE

Klaxon Sounders

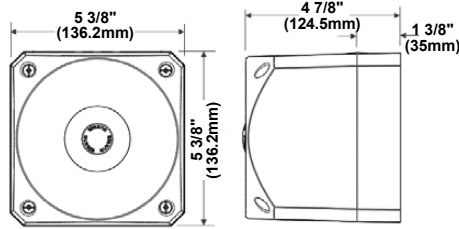
Electronic

Nexus Series

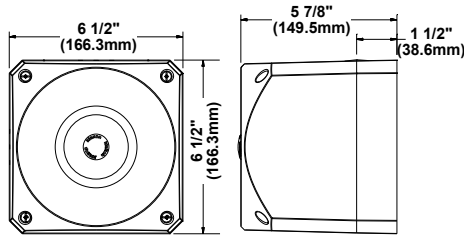
Features and Specifications

- Three alarm stages (110dB and 120dB variants)
- Volume control for greater flexibility - 20dB
- 64 tones
- IP66 rated
- Compliance to EN54-3 Type B
- Operating temperature range: -13°F to 158°F (-25°C to 55°C)

Nexus 105

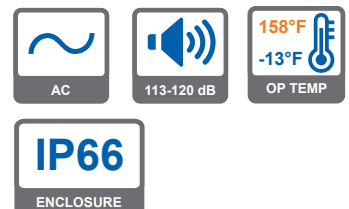


Nexus 110 & 120



Ordering Information

Description	New Cat. No. (use for ordering)	Old Cat. No.	Operating Voltage	Current	dB at 1m/10ft.
Nexus 110	PNS-0020	18-980605	24-48V AC	0.010-0.050 A	Up to 116/106
Nexus 105	PNS-0009	18-980548	110-230V AC	0.040 A (max)	Up to 113/103
Nexus 110	PNS-0018	18-980557	110-230V AC	0.040 A (max)	Up to 116/106
Nexus 120	PNS-0011	18-980551	110-230V AC	0.200 A (max)	Up to 120/110



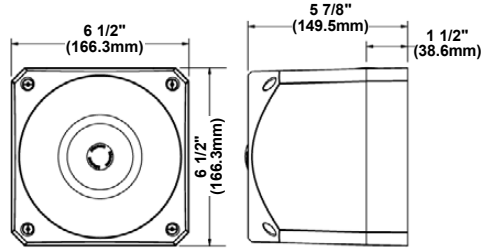
Klaxon Sounders

Electronic

Nexus Series

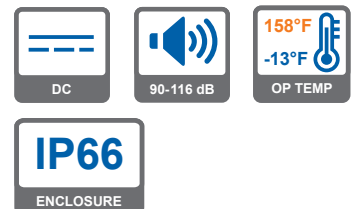
Features and Specifications

- Choice of up to 7 messages via three volt free contacts
- Extensive message library or bespoke messages available
- Download messages in-field via built in USB port
- Max 116dB tone @ 1m (106dB @ 10ft.) and 90dB @ 1m (80dB @ 10ft.) message outputs
- Automatic synchronization
- IP66 rated for outdoor environments
- Volume control - 20dB
- Operating temperature range: -13°F to 158°F (-25°C to 70°C)



Ordering Information

Description	New Cat. No. (use for ordering)	Old Cat. No.	Operating Voltage	Current	dB at 1m/10ft.	Tones	Messages
Sounder Only	PNV-0001	18-980726	24V DC	0.030 A	116/106	Up to 64	7



Horns

Vibrating

870 Series

Features

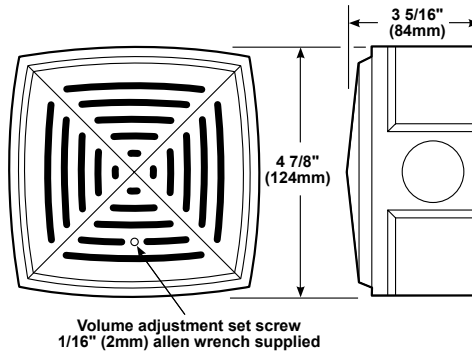
- Convenient plug-in assembly
- Corrosion resistant finish
- Volume adjustable
- Completely assembled
- NEMA 4X, NEMA 12 and NEMA 12K rated enclosure
- Operating range: -20% to +10% of nominal volt

876 AC

- Adjustable output: 88 to 113dB @ 1m (78 to 103dB @ 10ft.)

877 DC

- Adjustable output: 88 to 111dB @ 1m (78 to 101dB @ 10ft.)



Volume adjustment set screw
1/16" (2mm) allen wrench supplied

Ordering Information

Description	Cat. No.	Operating Voltage ²	Current	VA	dB at 1m/10ft. ¹	DC Coil Res (Ohms)
AC	876-E5	12V AC	1.25 A	15	113/103	1.5
	876-G5	24V AC	0.63 A	15.1	113/103	5.2
	876-N5 ³	120V AC	0.13 A	15.6	113/103	150
	876-R5	240V AC	0.07 A	16.8	113/103	580
DC Horn	877-E1	12V DC	0.27 A	3.2	111/101	6
	877-G1	24V DC	0.16 A	3.8	111/101	24
	877-J1	32V DC	0.13 A	4.2	111/101	40
	877-K1	48V DC	0.07 A	3.5	111/101	96
	877-P1	125V DC	0.025 A	3.1	111/101	600

¹Measured in an anechoic chamber.

²AC voltage frequency is 50/60 Hz.

³Diode Polarized version available in red, order 886D-N5.

Accessories

Description	Cat. No.
Plastic Projector	872-PO



Horns Vibrating 870 Series

Features and Specifications

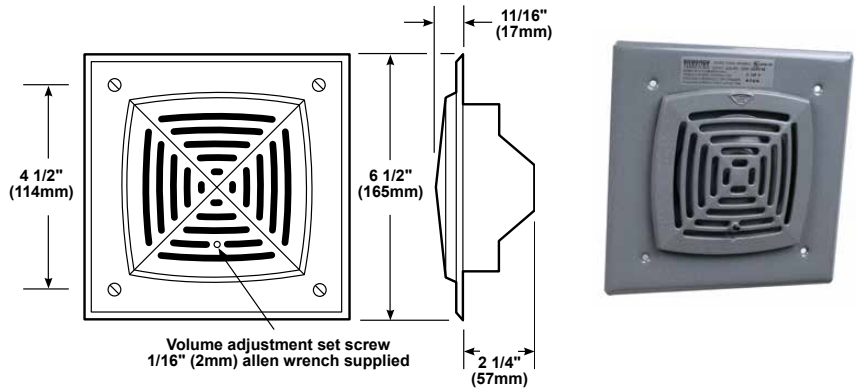
- Corrosion resistant finish
- Volume adjustable
- Completely assembled
- Heavy duty die-cast housing
- Operating voltage range: -20% to +10% of nominal voltage

870 AC

- Adjustable output: 88 to 113dB @ 1m (78 to 103dB @ 10ft.)

871 DC

- Adjustable output: 88 to 101dB @ 1m (78 to 91dB @ 10ft.)



Ordering Information

Description	Cat. No.	Operating Voltage ²	Current	VA	dB at 1m/10ft. ¹	DC Coil Res (Ohms)
Flush Mount AC	870-G5	24V AC	0.63 A	15.1	113/103	5.2
	870-N5³	120V AC	0.13 A	15.6	113/103	150
	870-R5	240V AC	0.07 A	16.8	113/103	580
Flush Mount DC	871-E1	12V DC	0.27 A	3.2	111/101	6.0
	871-G1	24V DC	0.16 A	3.8	111/101	24
	871-K1	48V DC	0.07 A	3.4	111/101	96
	871-P1	125V DC	0.025 A	3.1	111/101	600
	871-S1	250V DC	0.014 A	3.5	111/101	2640

¹dB rating measured in anechoic chamber.

²AC voltage frequency is 50/60 Hz.

³Diode Polarized version available in red, order **880D-N5**.

Accessories

Description	Cat. No.
Wall Box	870-B
Plastic Projector	872-PO



Horns Vibrating 870 Series

Features and Specifications

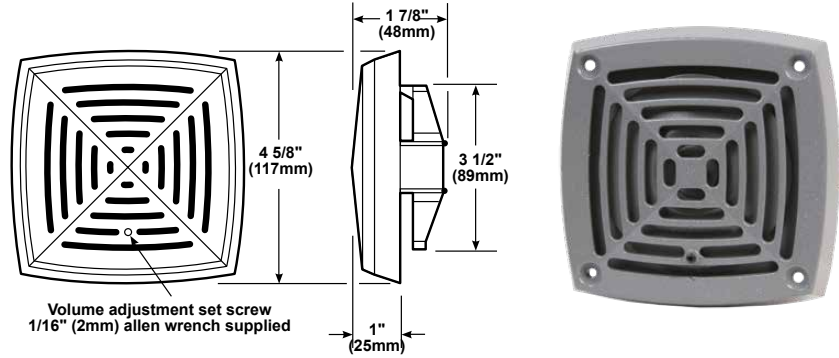
- Corrosion resistant finish
- Volume adjustable
- Completely assembled
- Heavy duty die-cast housing
- NEMA Type 4X, NEMA Type 12 and Type 12K Rated
- Operating range: -20% to +10% of nominal voltage

870P AC

- Adjustable output: 88 to 113dB @ 1m (78 to 103dB @ 10ft.)

871P DC

- Adjustable output: 88 to 101dB @ 1m (78 to 91dB @ 10ft.)



Ordering Information

Description	Cat. No.	Operating Voltage ²	Current	VA	dB at 1m/10ft. ¹	DC Coil Res (Ohms)
Panel Mount, AC	870P-E5	12V AC	1.25 A	15.0	113/103	1.5
	870P-G5	24V AC	0.63 A	15.1	113/103	5.2
	870P-N5	120V AC	0.13 A	15.6	113/103	150
	870P-R5	240V AC	0.07 A	16.8	113/103	580
Panel Mount, DC	871P-C1	6V DC	0.7 A	4.2	101/91	1.4
	871P-E1	12V DC	0.27 A	3.2	101/91	6
	871P-G1	24V DC	0.16 A	3.8	101/91	24
	871P-J1	32V DC	0.11 A	3.52	101/91	40
	871P-P1	125V DC	0.025 A	3.1	101/91	600
	871P-S1	250V DC	0.014 A	3.5	101/91	2640

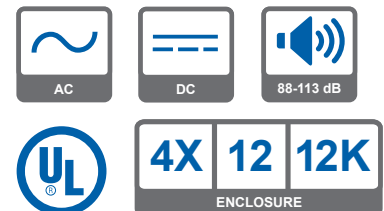
¹dB rating measured in anechoic chamber.

²AC voltage frequency is 50/60 Hz.

Note: For NEMA Type 4X, 12, 12K and outdoor applications, mounting must be to a smooth, flat surface of a NEMA Type 4X, 12, 12K enclosure or outdoor rated panel and all four mounting holes must be drilled.

Accessories

Description	Cat. No.
Plastic Projector	872-PO



Horns Vibrating 870 Series

Features and Specifications

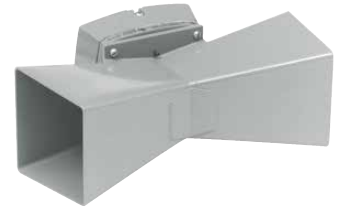
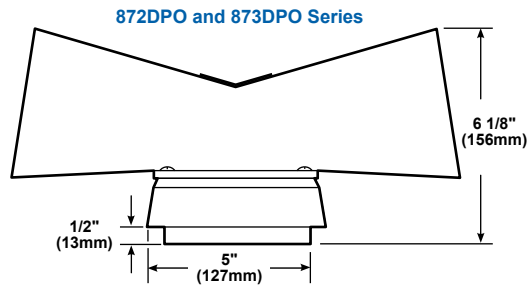
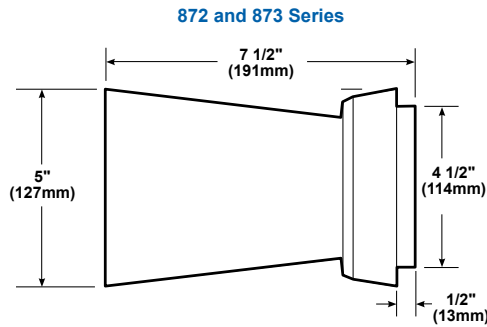
- Corrosion resistant finish
- Volume adjustable
- Completely assembled
- Heavy duty die-cast housing
- Operating range: -20% to +10% of nominal voltage

872 AC and 872DPO AC

- Adjustable output: 88 to 113dB @ 1m (78 to 103dB @ 10ft.) (**872 AC**)
- Adjustable output: 88 to 111dB @ 1m (78 to 101dB @ 10ft.) (**872DPO AC**)
- FM Approved

873 DC and 873DPO DC

- Adjustable output: 88 to 101dB @ 1m (78 to 91dB @ 10ft.) (**873 DC**)
- Adjustable output: 88 to 99dB @ 1m (78 to 89dB @ 10ft.) (**873DPO DC**)



Ordering Information

Description	Cat. No.	Operating Voltage	Current	VA	dB at 1m/10ft. ¹	DC Coil Res (Ohms)
Single Projector, AC	872-G5	24V AC	0.63 A	15.1	113/103	5.2
	872-N5	120V AC	0.13 A	15.6	113/103	150
	872-R5	240V AC	0.07 A	16.8	113/103	580
Single Projector, DC	873-G1	24V DC	0.16 A	3.8	101/91	24
	873-P1	125V DC	0.025 A	3.1	101/91	600
	873-S1	250V DC	0.014 A	3.5	101/91	2640
Double Projector, AC	872DPO-G5	24V AC	0.63 A	15.1	111/101	5.2
	872DPO-N5	120V AC	0.13 A	15.6	111/101	150
	872DPO-R5	240V AC	0.07 A	16.8	111/101	580
Double Projector, DC	873DPO-G1	24V DC	0.16 A	3.8	99/89	24
	873DPO-P1	125V DC	0.025 A	3.1	99/89	600
	873DPO-S1	250V DC	0.014 A	3.5	99/89	2640

¹ Measured in an anechoic chamber.



Horns

Vibrating

870 Series

Features and Specifications

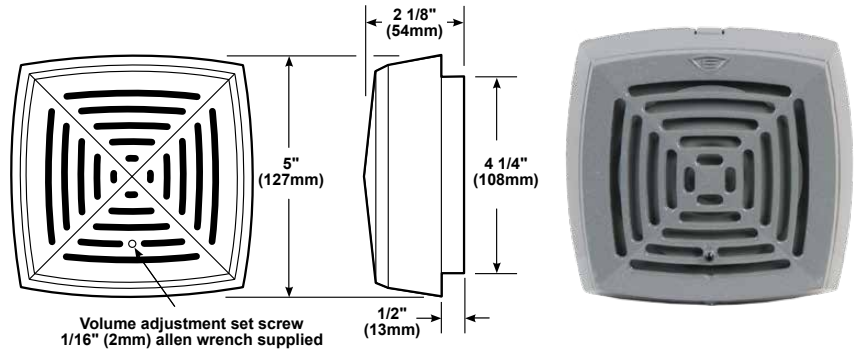
- Corrosion resistant finish
- Volume adjustable
- Completely assembled
- Heavy duty die-cast housing
- Operating range: -20% to +10% of nominal voltage
- Projects only 2" (51mm) from mounting surface

874 AC

- Adjustable output: 88 to 113dB @ 1m (78 to 103dB @ 10ft.)
- 400 hour rating at 50% duty cycle
- FM Approved

875 DC

- Adjustable output: 88 to 111dB @ 1m (78 to 101dB @ 10ft.)



Ordering Information

Description	Cat. No.	Operating Voltage ²	Current	VA	dB at 1m/10ft. ¹	DC Coil Res (Ohms)
Surface Mount, AC	874-E5	12V AC	1.25 A	15.0	113/103	1.5
	874-G5	24V AC	0.63 A	15.1	113/103	5.2
	874-N5³	120V AC	0.13 A	15.6	113/103	150
	874-R5	240V AC	0.06 A	14.4	113/103	580
Surface Mount, DC	875-C1	6V DC	0.70 A	4.2	111/101	1.6
	875-E1	12V DC	0.27 A	3.2	111/101	6
	875-G1	24V DC	0.16 A	3.8	111/101	24
	875-P1	125V DC	0.025 A	3.1	111/101	600
	875-S1	250V DC	0.014 A	3.5	111/101	2640

¹Measured in anechoic chamber.

²AC voltage frequency is 50/60 Hz.

³Diode Polarized version available in red, order **884D-N5**.

Accessories

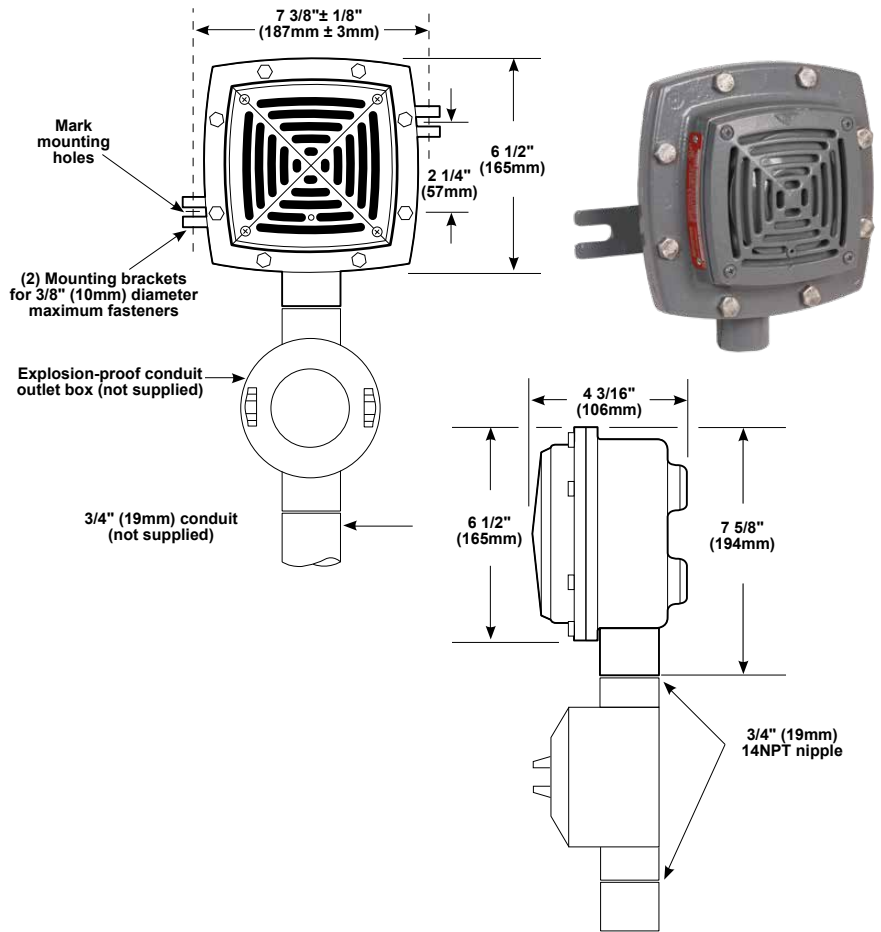
Description	Cat. No.
Plastic Projector	872-PO



Horns Vibrating 870EX Series

Features and Specifications

- Corrosion resistant heat flowed epoxy finish
- Low current drain
- Operating voltage range -20% to +10% of nominal voltage
- Power connection wires embedded in sealing compound
- Not recommended for temperatures below 25°F (-3.9°C)
- Diode Polarized versions
- NEMA Type 4X rated
- UL listed for Class I, Div. 1 and 2, Groups B, C and D; Class II, Div. 1 and 2, Groups E, F and G; and Class III locations

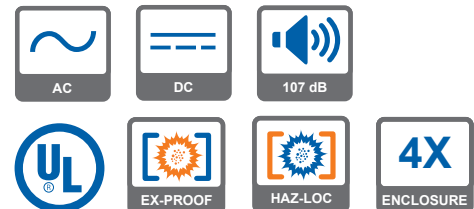


Ordering Information

Description	Cat. No.	Operating Voltage ²	Current	VA	Average dB at 1m/10ft. ¹	DC Coil Res (Ohms)
AC	878EX-E5	12V AC	1.25 A	15	110/100	1.45
	878EX-G5	24V AC	0.625 A	15	110/100	5.2
	878EX-N5	120V AC	0.13 A	15	110/100	150.0
	878EX-R5	240V AC	0.065 A	15.6	110/100	580.0
DC	879EX-C1	6V DC	0.70 A	4.2	107/97	1.4
	879EX-E1	12V DC	0.27 A	3.2	107/97	6.0
	879EX-G1	24V DC	0.16 A	3.8	107/97	24.0
	879EX-J1	32V DC	0.13 A	3.2	107/97	40.0
	879EX-K1	48V DC	0.07 A	3.4	107/97	96.0
	879EX-P1	125V DC	0.025 A	3.1	107/97	600.0
AC, Diode Polarized	878DEX-N5	120V AC	0.165 A	19.8	110/100	150.0
DC, Diode Polarized	879DEX-G1	24V DC	0.16 A	3.8	107/97	20.0

¹Measured in an anechoic chamber.

²AC voltage frequency is 50/60 Hz.



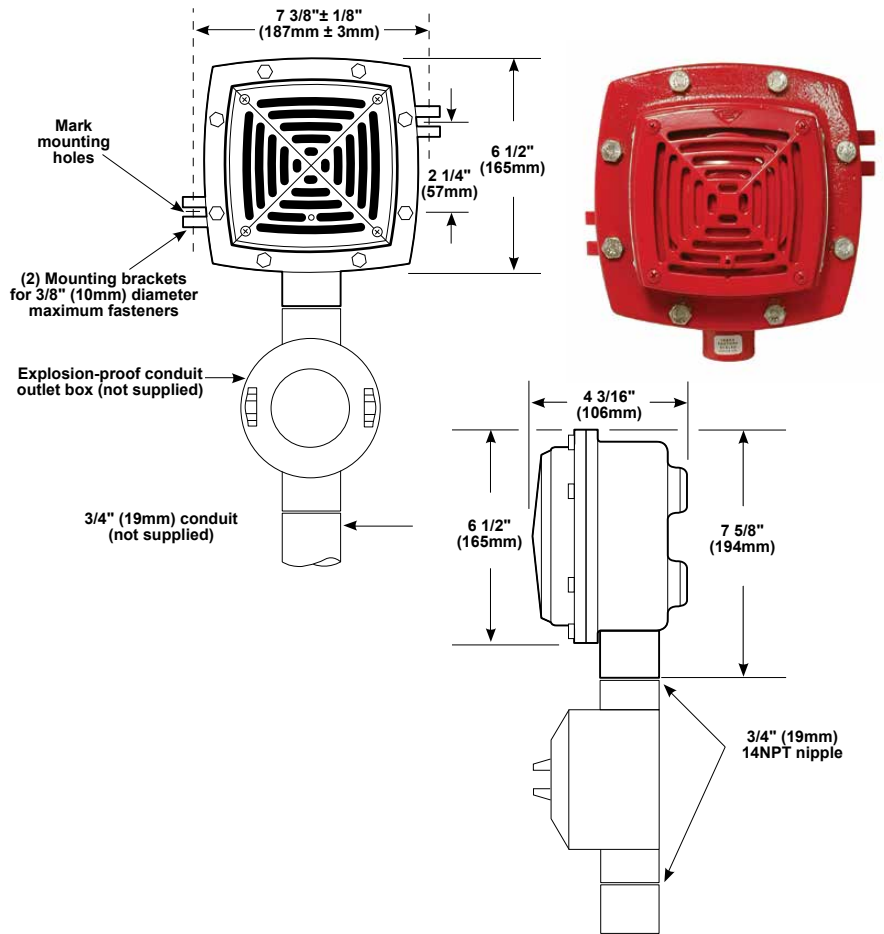
Horns

Vibrating

870EX Series

Features and Specifications

- Diode polarized
- Red corrosion resistant heat flowed epoxy finish
- Low current drain
- Not recommended for temperatures below 25°F (-3.9°C)
- Power connection wires embedded in sealing compound
- UL listed for Class 1, Div. 1 and 2, Groups B, C and D; Class II, Div. 1 and 2, Groups E, F and G; Class III locations



Ordering Information

Description	Cat. No.	Operating Voltage	Current	VA	Average dB at 1m/10ft. ¹	DC Coil Res (Ohms)
Hazardous Location, Horn	888D-N5	120V AC	0.165 A	19.8	100/90	150.0
Diode Polarized	889D-AW	20-24V DC	0.16 A	3.8	94/84	20.0

¹10ft. dB measurements per UL 464 in a reverberant room. Anechoic dB measurements are typically higher.



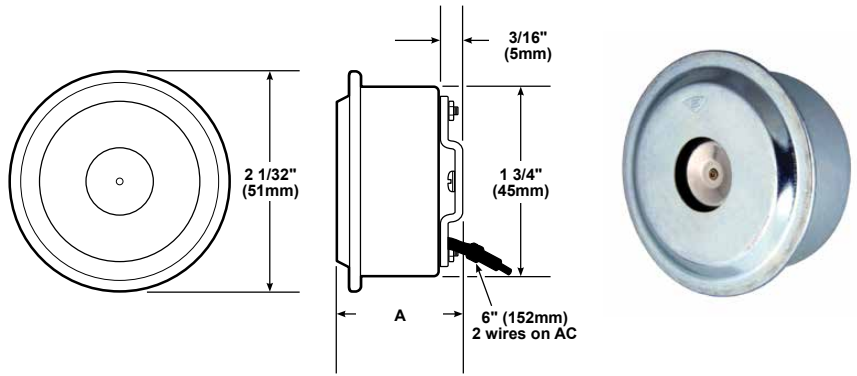
Horns

Vibrating

118 and 123A Series

Features and Specifications

- Low power drain
- Compact size
- Shock resistant
- Easy surface mount installation
- Operating temperature range: -40°F to 180°F (-40°C to 82°C)



Ordering Information

Description	Cat. No.	Operating Voltage	Current	VA	dB at 1m/10ft.	DC Coil Res (Ohms)
DC	118-E1	12V DC	0.07 A	0.84	96/86	25.5
	118-G1	24V DC	0.03 A	0.72	96/86	102.0
AC 60 Hz	123A-E5	12V AC	0.4 A	4.8	96/86	10.0
	123A-G5	24V AC	0.2 A	4.8	96/86	40.0
	123A-N5	120V AC	0.04 A	4.8	96/86	1200.0

AUDIBLE SIGNALS

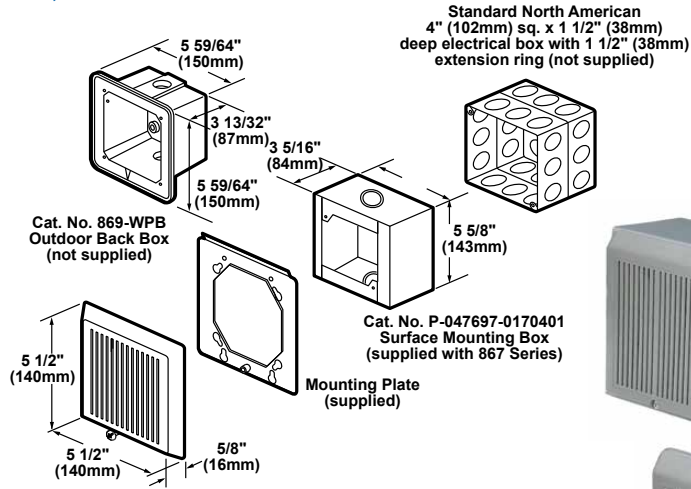


Horns Electronic 860 Series

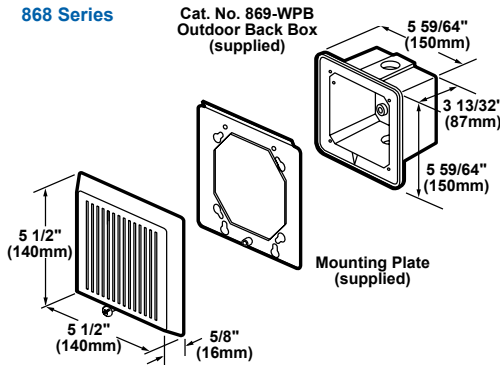
Features and Specifications

- Diode polarized (**869D**)
- Low current draw
- High dB output
- Terminals for easy wiring
- May be used in outdoor applications by using with 869-WPB back box
- Complete with surface back box (**867**)
- Complete with gasket and surface back box (**868**)
- Gray flame resistant housing
- Engineered thermoplastic housing
- Operating voltage: -20% to +10% of nominal voltage
- Indoor Operating Environment: 93% relative humidity at 104°F (40°C); 32°F to 120°F (0°C to 49°C) variable ambient (**867, 869, 869D**)
- Outdoor Operating Environment: 98% relative humidity at 104°F (40°C); -31°F to 150°F (-35°C to 66°C) variable ambient (**868**)
- cUL listed (**869D only**)

867, 869 and 869D Series



868 Series



Ordering Information

Description	Cat. No.	Operating Voltage ²	Current	dB at 1m/10ft. ¹
Surface Mount	867-AQ	24V AC	0.072 A	106/96
		24V DC	0.022 A	106/96
Flush or Panel Mount	869-AQ	120V AC	0.024 A	106/96
		24V AC	0.072 A	106/96
Flush or Panel Mount, Diode Polarized	869D-G1	24V DC	0.022 A	106/96
		120V AC	0.024 A	106/96
Surface Mount, Suitable for Outdoor Applications	868-AQ	24V AC	0.060 A	106/96
		24V DC	0.020 A	106/96
		120V AC	0.021 A	106/96

¹Measured in an Anechoic chamber
²AC voltage frequency is 50/60 Hz.

AUDIBLE SIGNALS



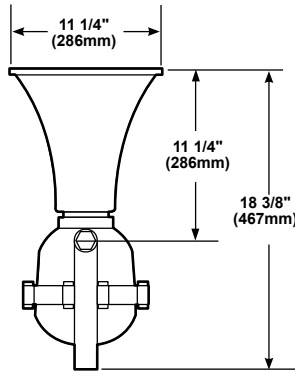
Horns

Electronic

Titan Class

Features and Specifications

- Corrosion resistant electrostatic heat flowed powder epoxy gray finish
- Fitted with factory sealed 1/2" (13mm) threaded pipe nipple for quick installation
- Diode polarized versions for supervised circuits
- Speaker swivels 180° vertically or horizontally depending on orientation of mounting bracket **(5522MD-AW)**
- 30" (762mm) wire leads
- Horn frequency - 982 Hz
- UL listed for Class I, Div. 1 and 2, Groups B, C and D



Ordering Information

Description	Cat. No.	Operating Voltage ¹	Current	dB at 1m/10ft.
Horn	5522M-AQ	24V DC	0.25 A	119/109
		24V AC	0.95 A	
	5522M-Y6	120-240V AC	0.260 A	119/109
125-250V DC		0.130 A		
Horn, Diode Polarized	5522MD-AW	24V DC	0.950 A	119/109

¹AC voltage frequency is 50/60 Hz.



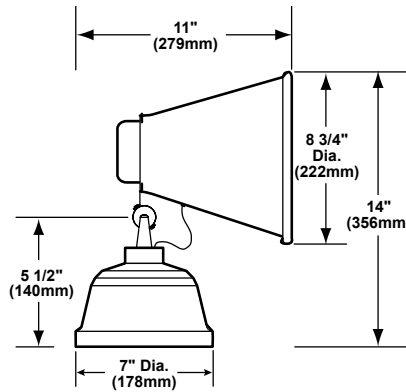
Horns and Sirens

Electronic

D2 Class

Features and Specifications

- 124dB audible signal at 1m (114dB @ 10ft.)
- Suitable for outdoor applications using 349 Back Box
- Switchable horn or siren or horn models
- Easy mounting plate speeds installation
- Diode polarized for supervised circuits (**5520D**)
- Horn frequency of 1.1 KHz
- Siren frequency rises and falls from 600 to 1300 Hz every 3 seconds
- Speaker swivels 180° horizontally and 90° vertically



Ordering Information

Description	Cat. No.	Operating Voltage	Current	VA	dB ⁴ at 1m/10ft.
Horn and Siren ¹	5520-AS	12V AC	1.3 A	15.6	121/112 (Horn) / 122/112 (Siren)
		12V DC	0.7 A	8.4	121/112 (Horn) / 122/112 (Siren)
	5520-AQ	24V AC	0.85 A	20.4	124/114 (Horn) / 122/112 (Siren)
		24V DC	0.35 A	8.4	124/114 (Horn) / 122/112 (Siren)
	5520-N5	120V AC	0.35 A	42	124/114 (Horn) / 122/112 (Siren)
Horn and Siren, Diode Polarized ²	5520D-N5	120V AC	0.35	42.0	124/114 (Horn) / 122/112 (Siren)
		20-24V DC	0.35	8.4	124/114 (Horn) / 122/112 (Siren)
Horn Only	5521-S1	250V DC	0.065 A	16.3	124/114

¹AC voltage frequency is 60 Hz.

²AC voltage frequency is 50/60 Hz.

³Uses separately mounted 598Y transformer (included).

⁴dB measured LCpeak (1s).

Accessories

Description	Cat. No.
Back Box	349



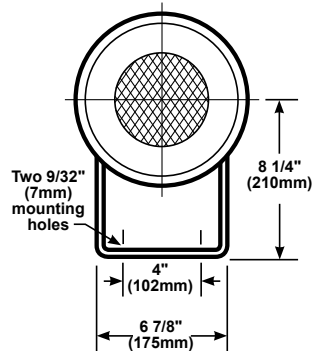
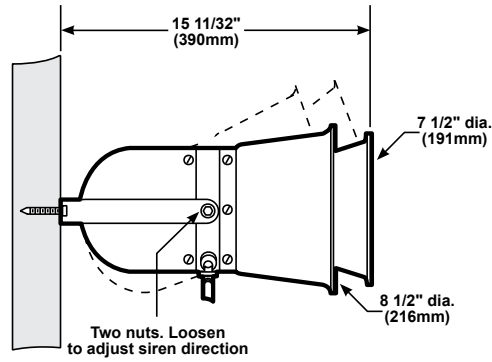
Sirens

Motor Driven

315A Series

Features and Specifications

- Fully enclosed motor
- Suitable for outdoor applications
- Adjustable siren direction
- AC or DC operation
- 2.5 amp motor
- Heavy gauge aluminum construction
- Frequency 1100 Hz
- Rated for 2 minutes on, 1 minute off duty cycle



Ordering Information

Description	Cat. No.	Operating Voltage	Current	VA	dB at 1m/10ft.
Industrial Siren	315A-AH	120V AC/DC	2.5 A	300	120/110



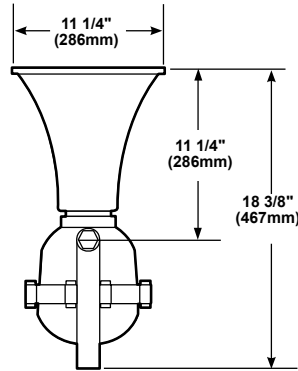
Sirens

Electronic

Titan Class

Features and Specifications

- Corrosion resistant electrostatic heat flowed powder epoxy gray finish
- Fitted with factory sealed 1/2" (13mm) threaded pipe nipple for quick installation
- Diode polarized version for supervised circuits
- Speaker swivels 180° vertically or horizontally depending on orientation of mounting bracket (**5523MD-AW**)
- 30" (762mm) wire leads
- Siren frequency - rises and falls from 600 to 1250 Hz every 8 seconds
- UL listed for Class I, Div. 1 and 2, Groups B, C and D



Ordering Information

Description	Cat. No.	Operating Voltage ¹	Current	dB at 1m/10ft.
Siren	5523M-AQ	24V DC	0.25 A	115/105
		24V AC	0.95 A	
	5523M-Y6	120-240V AC	0.260 A	115/105
		125-250V DC	0.130 A	
Siren, Diode Polarized	5523MD-AW	24V DC	0.950 A	115/105

¹AC voltage frequency is 50/60 Hz.



Klaxon Sirens

Motor Driven

SO4 Series




Features and Specifications


- High sound output (up to 125dB)
- Powerful low frequency sound
- Vertical siren for easy mounting
- Cast aluminum body
- IP55 rated
- Operating temperature range: -22°F to 113°F (-30°C to 45°C)


Ordering Information


Description	New Cat. No. (use for ordering)	Old Cat. No.	Operating Voltage ¹	Amps Tone Dependent	dB at 1m/10ft.	Frequency
DC	SLC-0003	18-980041	24V DC	8 A	Up to 116/106	900 Hz
AC/DC	SLC-0002	18-980038	230V AC/DC	1.4 / 1.2 A	Up to 125/115	900 Hz

¹AC voltage frequency is 50/60 Hz.


 DC


 AC/DC


 116-125 dB


 113°F
-22°F
OP TEMP

IP55

ENCLOSURE

Klaxon Sirens Manual Operation Lightweight Series

Features and Specifications

- No power supply required
- Lightweight model for portability
- Powerful low frequency sound
- Universally recognized signal
- Carry case included
- 2 tones: continuous and warble
- 600 Hz nominal frequency (Dependent on rotation speed)



Ordering Information

Description	New Cat. No. (use for ordering)	Old Cat. No.	Colors	dB at 1m/10ft.	Tones
Hand Operated Siren	SLF-0001	17-970322	Black	Up to 116/106	Up to 2



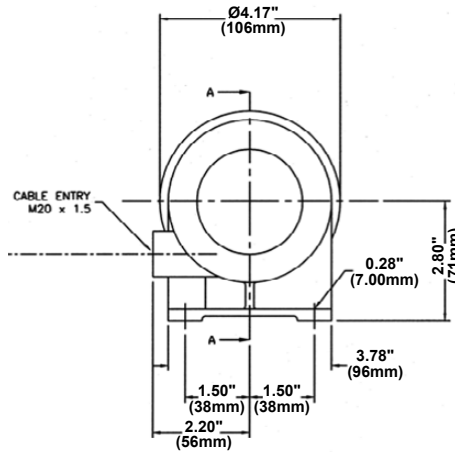
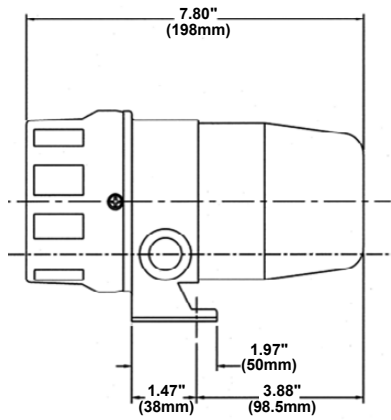
Klaxon Sirens

Motor Driven

Duplo Series


Features and Specifications

- High output siren sound (127dB @ 1m/117dB @ 10ft.)
- Cast aluminum body
- ABS rotor, stator and cover
- Rugged construction for use in indoor and outdoor environments
- IP65 rated
- Long life and run time
- Mounting bracket for ease of installation
- Operating temperature range: -22°F to 113°F (-30°C to 45°C)




Ordering Information


Description	New Cat. No. (use for ordering)	Old Cat. No.	Operating Voltage	Amps (Tone dependent)	Colors	dB at 1m/10ft.	Tones	Frequency
Motor Driven Siren	SLB-0002	18-980217	230V AC/DC	1.0 A	Gray/Black	Up to 127/117	1	1600 Hz



AC/DC



Up to 127 dB



113°F
-22°F
OP TEMP

IP65

ENCLOSURE

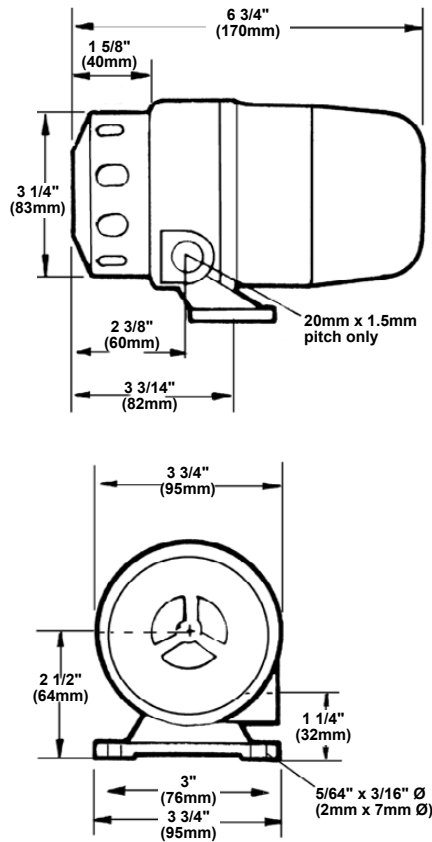
Klaxon Sirens

Motor Driven

Mono Series

Features and Specifications

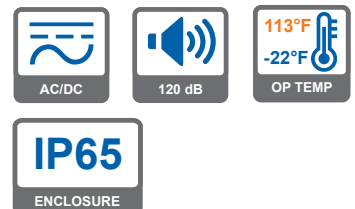
- High output siren sound (120dB)
- Rugged construction for use in all environments
- IP65 rated
- Mounting bracket for ease of installation
- Construction is cast aluminum body, ABS Rotor, Stator and cover
- Operating temperature range: -22°F to 113°F (-30°C to 45°C)



Ordering Information

Description	New Cat. No. (use for ordering)	Old Cat. No.	Operating Voltage	Current	Color	dB at 1m/10ft.	Frequency	Tones
Motor Driven Siren	SLA-0001	18-980203	110V AC/DC	3.0/2.7 A	Red/Black	Up to 120/110	1800 Hz	1
	SLA-0002	18-980205	230V AC/DC	1.4/1.2 A	Red/Black	Up to 120/110	1800 Hz	1

AUDIBLE SIGNALS



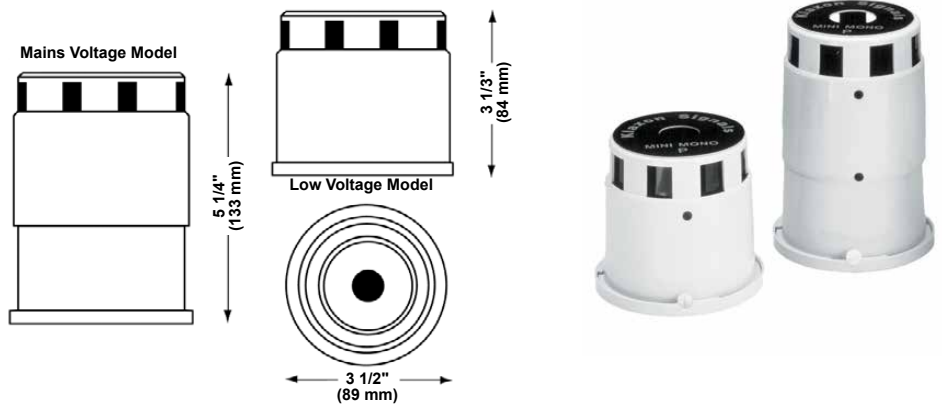
Klaxon Sirens

Motor Driven

Mono Series

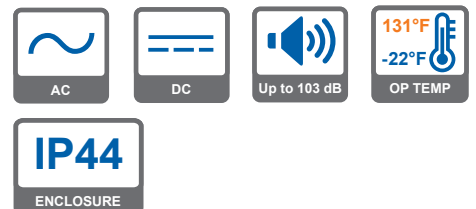
Features and Specifications

- High quality siren sound
- Bayonet mounting plate for ease of installation
- High impact ABS
- IP44 rated
- Operating temperature range: -22°F to 131°F (-30°C to 55°C)



Ordering Information

Description	New Cat. No. (use for ordering)	Old Cat. No.	Operating Voltage	Current	Color	dB at 1m/10ft.	Tones	Frequency
Motor Driven Siren	SLE-0002	18-980226	24V DC	0.5 A	Gray	Up to 103/93	1	1000 Hz
	SLE-0004	18-980228	110/230V AC	0.130-0.09 A	Gray	Up to 103/93	1	1000 Hz



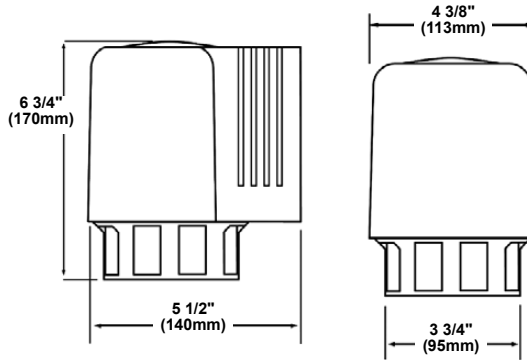
Klaxon Sirens

Motor Driven

Super M Series

Features and Specifications

- High output siren sound (127dB)
- Separate mounting bracket for easy installation
- Long life and run time
- Suitable for use in indoor and outdoor applications
- ABS construction
- Operating temperature range: -22°F to 113°F (-30°C to 45°C)



Ordering Information

Description	New Cat. No. (use for ordering)	Old Cat. No.	Operating Voltage	Amps (Tone dependent)	Color	dB at 1m/10ft.	Frequency	Tones
Motor Driven Siren	SLD-0001	18-980047	110V AC/DC	2.7 A	Yellow	Up to 127/117	1600 Hz	1
	SLD-0002	18-980049	230V AC/DC	1.0 A	Yellow	Up to 127/117	1600 Hz	1



Electronic Audible Signals

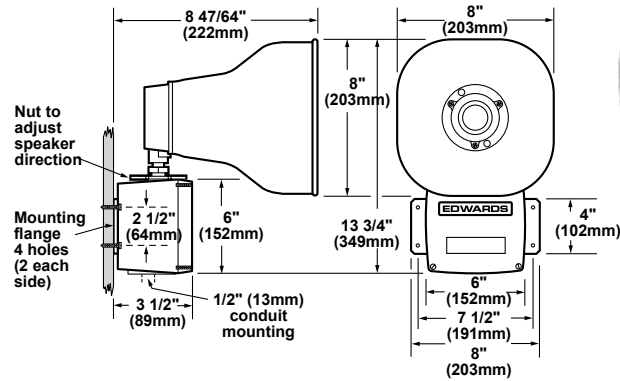
Multi-Tone Signal – Single Input, Single Output

Millennium Class

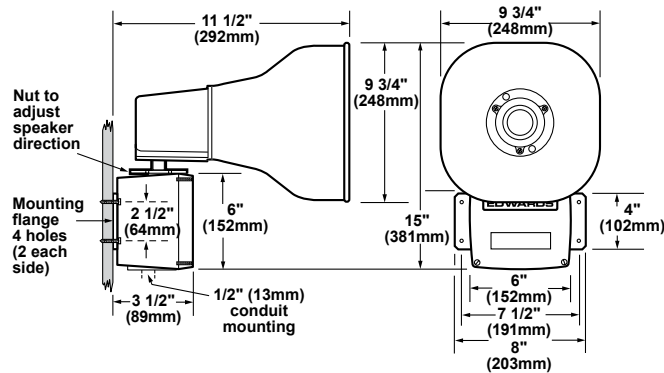
5530M, 5530MV, and 5530MD-24AW Series

Features and Specifications

- User selectable 55 tone capability - No additional tone modules needed
- Output up to 120dB @ 1m (110dB @ 10ft.)
- Output up to 123dB @ 1m (113dB @ 10ft.) (**5530MHV Series**)
- Captive components
- RS485 models supervised
- Diode polarized for supervisory circuits (**5530MD-24AW**)
- Speaker can be rotated and locked in any horizontal direction
- 24V DC battery backup terminals provided
- NEMA Type 3R
- UL listed for Class 1, Div. 2, Groups A, B, C and D; Class II, Div. 2, Groups F and G; Class III hazardous locations



5530MHV Series



Ordering Information

Description	Cat. No.	Operating Voltage ¹	Input Activation Voltage	Signal Off Standby Current (Amps)	Signal On Operating Current (Amps)
Single output, 15 Watt Standard Volume	5530M-24AQ	24V DC	24V DC	0.10 A	0.74 A
		24V AC	24V DC	0.10 A	1.3 A
	5530M-24N5	120V AC	24V DC	0.10 A	0.36 A
	5530M-120N5	120V AC	120V AC	0.10 A	0.38 A
	5530M-24Y6	120V-240V AC	24V DC	0.10 A	0.31-0.20 A
Single output, RS485	5530M-485Y6	120-240V AC	RS485	0.10 A	0.32-0.20 A
		125-250V DC	RS485	0.10-0.02 A	0.21-0.10 A
Single output, RS485 Field recordable voice model	5530MV-485Y6	120-240V AC	RS485	0.10 A	0.31-0.20 A
		125-250V DC	RS485	0.10-0.02 A	0.20-0.10 A
Single output, 30 Watt High Volume	5530MHV-24AQ	24V DC	24V DC	0.10 A	1.5 A
		24V AC	24V DC	0.10 A	2.3 A
	5530MHV-24Y6	120-240V AC	24V DC	0.10 A	0.56-0.34 A
Single output, RS485 Connection 30 Watt High Volume	5530MHV-120Y6	125-250V DC	120V AC	0.10-0.02 A	0.39-0.19 A
		120V AC-240V AC	RS485	0.10 A	0.56-0.34 A
Single output, Diode Polarized	5530MD-24AW²	125-250V DC	RS485	0.10-0.02 A	0.39-0.19 A
		20-31V DC	—	—	0.63-1.0 A

¹AC voltage frequency is 50/60 Hz.

²Red finish



Electronic Audible Signals

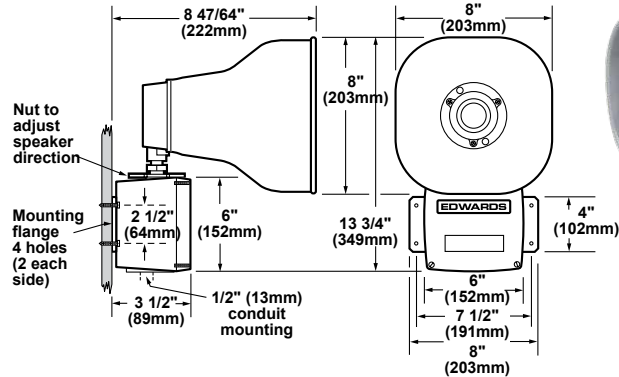
Multi-Tone Signal – Four Input, Four Output

Millennium Class

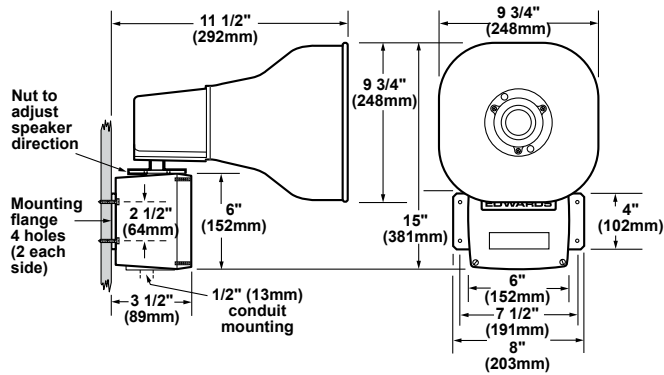
Features and Specifications

- User selectable 55 tone capability - No additional tone modules needed
- Output up to 120dB @ 1m (110dB @ 10ft.) (**5531M and 5531MV**)
- Output up to 123dB @ 1m (113dB @ 10ft.) (**5531MHV**)
- Suitable for Division 2 Locations
- Built-in cascading priority system
- Captive components
- Speaker can be rotated and locked in any horizontal direction
- NEMA Type 3R and IP44 rated
- UL listed for Class 1, Div. 2, Groups A, B, C and D; Class II, Div. 2, Groups F and G; Class III hazardous locations

5531M and 5531MV Series



5531MHV Series



Ordering Information

Description	Cat. No.	Operating Voltage ¹	Input Activation Voltage	Signal Off Standby Current (Amps)	Signal On Operating Current (Amps)
Four Outputs, 15 Watt	5531M-24AQ	24V DC	24V DC	0.10 A	0.74 A
		24V AC	24V DC	0.10 A	1.3 A
	5531M-24N5	120V AC	24V DC	0.10 A	0.36 A
		120V AC	120V AC	0.10 A	0.36 A
	5531M-24Y6	120-240V AC	24V DC	0.10 A	0.32-0.20 A
		125-250V DC	24V DC	0.10-0.02 A	0.21-0.10 A
5531M-120Y6	120-240V AC	120V AC	0.10 A	0.32-0.20 A	
	125-250V DC	120V AC	0.10-0.02 A	0.21-0.10 A	
Four Outputs, 30 Watt	5531MHV-24AQ	24V DC	24V DC	0.10 A	1.5 A
		24V AC	24V DC	0.10 A	2.3 A
	5531MHV-24Y6	120-240V AC	24V DC	0.10 A	0.62-0.34 A
		125-150V DC	24V DC	0.10-0.02 A	0.40-0.19 A
5531MHV-120Y6	120-240V AC	120V AC	0.10 A	0.62-0.34 A	
	125-150V DC	120V AC	0.10-0.02 A	0.40-0.19 A	
Field Recordable Device Model	5531MV-24N5	120V AC	24V DC	0.10 A	0.38 A
	5531MV-120N5	120V AC	120V AC	0.10 A	0.38 A
	5531MV-24Y6	125-250V DC	24V DC	0.10-0.02 A	0.21-0.10 A
120-240V DC		24V DC	0.10 A	0.32-0.20 A	

¹AC voltage frequency is 50/60 Hz.



AUDIBLE SIGNALS

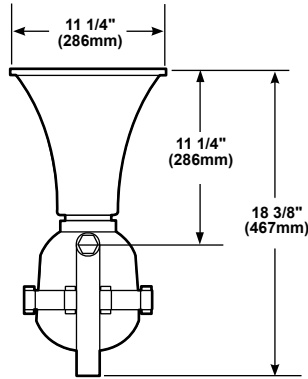
Electronic Audible Signals

Multi-Tone Signal – Two Input, Two Output

Titan Class

Features and Specifications

- User selectable 55 tone capability - No additional tone modules needed
- Internal volume control
- Corrosion resistant heat flowed epoxy finish
- Supplied with factory sealed 1/2" (13mm) threaded fitting for quick installation
- Diode polarized for supervised circuits (**5533MD**)
- Speaker swivels 180° vertically or horizontally depending on orientation of mounting bracket
- 30" (762mm) numbered wire leads
- Heavy duty zinc cast construction
- UL listed for Class 1, Div. 1 and 2, Groups B, C and D, hazardous locations



Ordering Information

Description	Cat. No.	Operating Voltage ¹	Signal Off Standby Current (Amps)	Signal On Operating Current (Amps)	dB at 1m/10ft.
Two Outputs, Explosionproof	5533M-AQ	24V DC	0.061 A	0.470 A	100/90
		24V AC	0.250 A	0.95 A	100/90
	5533M-Y6	120-240V AC	0.88 A	0.260 A	100/90
		125-250V DC	0.31-0.019 A	0.130-0.070 A	100/90
One Output, Explosionproof, Diode Polarized	5533MD-AW	24V DC	—	0.470 A	96/86

¹AC voltage frequency is 50/60 Hz.



Electronic Audible Signals

System Components

Millennium Class

Millennium Class components are designed to connect to a Central Tone Generator or Voice Priority Multiple Tone units. Local power operation allows system components to connect to power sources of different voltages.

Components	
Description	Cat. No.
Central Tone Generator	5540M
Central Tone Generator with Field Recorded Voice Messages	5540MV
Remote Speaker Amplifier	5532M (15 Watt)
Remote Speaker Amplifier	5532MHV (30 Watt)
Hazardous Location Remote Speaker	5545M

Retrofit Kits	
Description	Cat. No.
10V RMS Audio Kit	AUDIO-10-M
25V RMS Audio Kit	AUDIO-25-M
70 V RMS Audio Kit	AUDIO-70-M
RS485 Network Kit	RS-485-M
Voice Module Kit	VOICE-M
1 input 24V DC PCB Kit	Input-1-24
4 input 24V DC PCB Kit	Input-4-24
1 input 120V AC PCB Kit	Input-1-120
4 input 120V AC PCB Kit	Input-4-120
Pager Board	7990031

Cat. No. 5532M



Cat. No. 5532MHV



Cat. No. 5545M



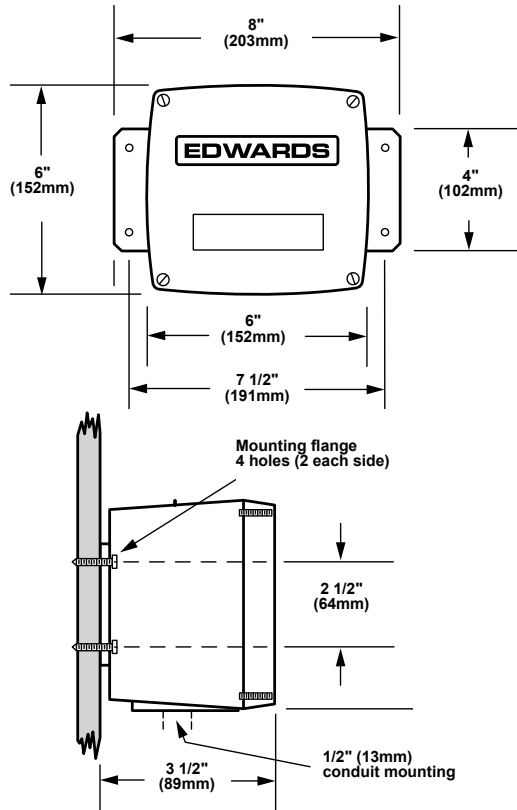
Cat. No's. 5540M, 5540MV



Electronic Audible Signals Tone Generator Millennium Class

Features and Specifications

- User Selectable 55 tone capability–
No additional tone modules needed
- Captive Components
- Centralized programmable tone selection
- System-wide priority tone selection
- RS485 models available
- 24V DC battery backup terminals
- Short Circuit protected
- 20 sec. of field recorded Voice (**5540MV**)
- Built in Presignal tone option on first message location (**5540MV**)
- Voice paging (**5540MP**)
- NEMA Type 3R and IP44 rated
- UL listed for Class I, Div. 2, Groups A, B, C and D; Class II, Div.2, Groups F and G; and Class III hazardous locations



AUDIBLE SIGNALS

Ordering Information

Description	Cat. No.	Operating Voltage ¹	Input Activation Voltage	Signal Off Operating Current (Amps)	Signal On Operating Current (Amps)
Four Outputs, Tone Only	5540M-24AQ	24V DC	24VDC	0.10 A	0.74 A
		24V AC	24V DC	0.10 A	1.3 A
	5540M-24N5	120V AC	24V DC	0.10 A	0.36 A
	5540M-120N5	120V AC	120V AC	0.10 A	0.38 A
Four Outputs, Tone Only	5540M-24Y6	120-240V AC	24V DC	0.10 A	0.32-0.20 A
		125-250V DC	24V DC	0.10-0.02 A	0.21-0.10 A
	5540M-120Y6	120-240V AC	120V AC	0.10 A	0.31-0.20 A
		125-250V DC	120V AC	0.10-0.02 A	0.20-0.10 A
Four Outputs, RS485 Connection, Tone Only	5540M-485Y6	120-240V AC	RS485	0.10 A	0.31-0.20 A
		125-250V DC	RS485	0.10-0.02 A	0.20-0.10 A
Four Outputs, Tone and Voice Messaging	5540MV-24N5	120V AC	24VDC	0.10 A	0.36 A
	5540MV-24Y6	120-240V AC	24V DC	0.10 A	0.32-0.20 A
		125-250V DC	24V DC	0.10-0.02 A	0.21-0.10 A
Four Outputs, RS485 Connection Tone and Voice Messaging	5540MV-485Y6	120-240V AC	RS485	0.10 A	0.32-0.20 A
		125-250V DC	RS485	0.10-0.02 A	0.21-0.10 A
Tone and Voice Paging	5540MP-24Y6²	120-240V AC	24V DC	0.10 A	0.32-0.20 A
		125-250V DC	24V DC	0.10-0.02 A	0.21-0.10 A

¹AC voltage frequency is 50/60 Hz.

²Must be connected to 5542RPU to operate

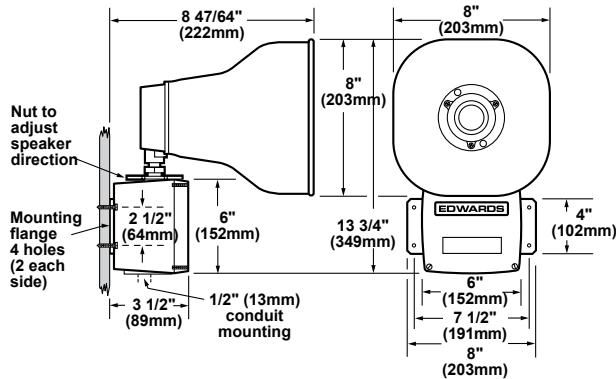


Electronic Audible Signals System Speaker Amplifier Millennium Class

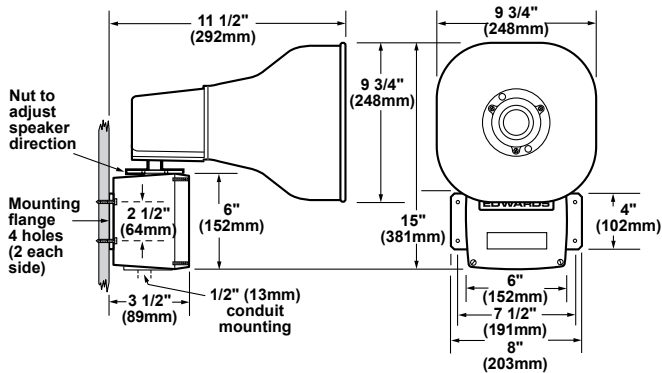
Features and Specifications

- Output up to 120dB @ 1m (110dB @ 10ft.) (**5532M and 5532MD**)
- Output up to 123dB @ 1m (113dB @ 10ft.) (**5532MHV**)
- Corrosion resistant electrostatic heat flowed epoxy finish
- Individual volume control
- Suitable for Division 2 Locations
- Captive Components
- RS485 model available
- Diode Polarized models (**5532MD**)
- 24V DC battery backup terminals
- NEMA Type 3R and IP44 rated
- UL listed for Class 1, Div. 2, Groups A, B,C and D; Class II, Div. 2, Groups F and G; and Class III hazardous locations

5532M and 5532MD Series



5532MHV Series



Ordering Information				
Description	Cat. No.	Operating Voltage ¹	Signal Off Standby Current (Amps)	Signal On Operating Current (Amps)
High Decibel	5532M-25Y6	120-240V AC	0.10 A	0.32-0.20 A
		125-250V DC	0.10-0.02 A	0.21-0.10 A
	5532M-70Y6	120-240V AC	0.10 A	0.32-0.20 A
		125-250V DC	0.10-0.02 A	0.21-0.10 A
High Decibel, RS485	5532M-485Y6	120-240V AC	0.10 A	0.32-0.20 A
		125-250V DC	0.10-0.02 A	0.21-0.10 A
High Decibel, Diode Polarized	5532MD-10AW ²	20-31V DC	0.10 A	0.63-1.0 A
	5532MD-70AW ²	20-31V DC	0.10 A	0.63-1.0 A
High Decibel, RS485, 30 Watt	5532MHV-485Y6	120-240V AC	0.10 A	0.56-0.34 A
		125-250V DC	0.10 A	0.39-0.19 A

¹AC voltage frequency is 50/60 Hz.

²Red finish.

AUDIBLE SIGNALS



Speaker/Amp

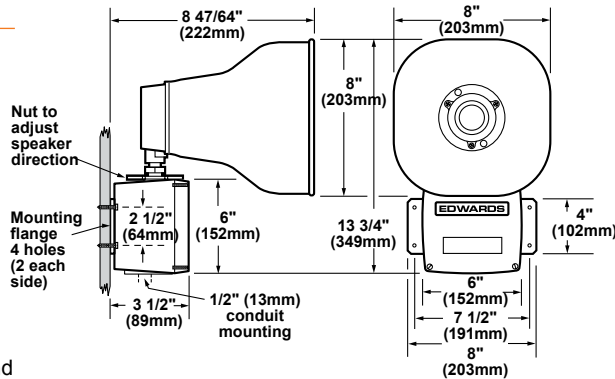
Remote Speaker Amplifier

Millennium Class

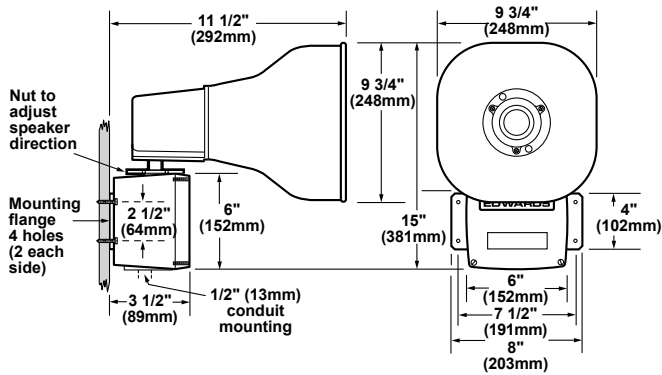
Features and Specifications

- Output up to 120dB @ 1m (110dB @ 10ft.) (**5532M**)
- Output up to 123dB @ 1m (113dB @ 10ft.) (**5532MHV**)
- Corrosion resistant electrostatic heat flowed epoxy finish
- Individual volume control
- Suitable for Division 2 Locations
- Captive Components
- RS485 model available
- 24V DC battery backup terminals
- NEMA Type 3R and IP44 rated
- UL listed for Class 1, Div. 2, Groups A, B,C and D; Class II, Div. 2, Groups F and G; and Class III hazardous locations

5532M Series



5532MHV Series



AUDIBLE SIGNALS

Ordering Information

Description	Cat. No.	Operating Voltage ¹	Signal Off Standby Current (Amps)	Signal On Operating Current (Amps)
High Decibel	5532M-AQ	24V DC	0.10 A	0.7 A
	5532M-N5	24V AC	0.10 A	1.3 A
	5532M-Y6	120-240V AC	0.10 A	0.32-0.20 A
		125-250V DC	0.10-0.02 A	0.21-0.10 A
High Decibel, 30 Watt	5532MHV-AQ	24V DC	0.10 A	1.5 A
		24V AC	0.10 A	2.3 A
	5532MHV-Y6	120-240V AC	0.10 A	0.56-0.34 A
		125-250V DC	0.10 A	0.39-0.19 A

¹AC voltage frequency is 50/60 Hz.



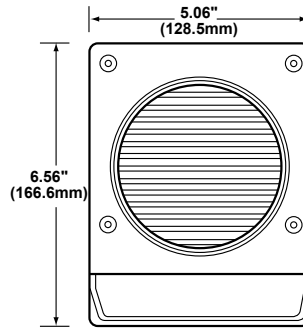
Electronic Audible Signals

Speaker Amp

Millennium Class

Features and Specifications

- Compact, modular design allows unit to be configured with tone, voice, audio coupling or RS485
- 10, 25 or 70.7VRMS audio input boards available
- Internal volume control
- Strobe and diode polarized fire alarm models
- Suitable for outdoor applications when mounted to outdoor back box
- Rugged Lexan construction tone, voice, audio coupling or RS485
- NEMA Type 3R (**Mini-Mi models only**)
- 90dB @ 1m (80dB @ 10ft.)



Ordering Information

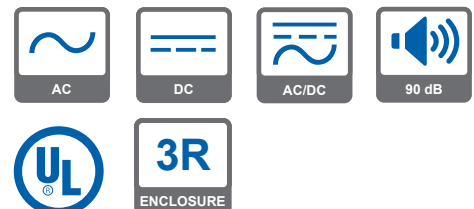
Description	Cat. No.	Operating Voltage ¹	Typical Current (A)		Max. RMS-mA	Color
			Standby	Tone On	Operating Current	
Base Model	5560M-AQ	24V DC	0.03	0.07	—	White
		24V AC	0.08	0.28	—	
Base Model	5560M-N5	120V AC	0.03	0.09	—	White
		24V DC	0.03	0.27	—	
With Strobe	5560MS-AQ	24V AC	0.08	0.36	—	White
		120V AC	0.03	0.10	—	
Audio Coupler Module Board ²	556A-M	—	—	—	—	—
Tone Module Board ²	556T-M	—	—	—	—	—
Voice Module Board ²	556V-M	—	—	—	—	—

¹AC voltage frequency is 50/60 Hz.
²Not NEMA 3R

Accessories

Description	Cat. No.
Outdoor Back Box	449

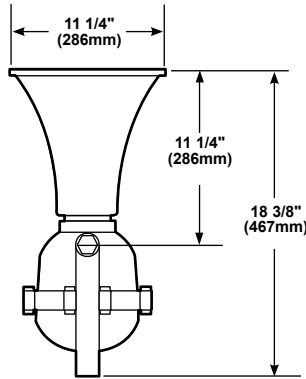
AUDIBLE SIGNALS



Electronic Audible Signals Speaker Amp Titan Class

Features and Specifications

- Corrosion resistant electrostatic heat flowed epoxy finish
- Individual volume control
- Speaker swivels 180° vertically or horizontally depending on orientation of mounting bracket
- 30" (762mm) numbered wire leads
- Supplied with factory sealed 1/2" (13mm) threaded fitting for quick installation
- Heavy duty zinc cast construction
- 100dB @ 1m (90dB @ 10ft.)
- UL listed for Class 1, Div. 1 and 2, Groups B, C and D hazardous locations



Ordering Information

Description	Cat. No.	Operating Voltage ¹	Typical Current	
			Standby	Tone On
High Decibel, Explosionproof	5545M-AQ	24V DC	0.061 A	0.47 A
		24V AC	0.25 A	0.95 A
	5545M-Y6	120-240V AC	0.10 A	0.28-0.15 A
		125-250V DC	0.11-0.02 A	0.15-0.08 A
	5545M-25Y6	120-240V AC	0.10 A	0.28-0.15 A
		125-250V DC	0.11-0.02 A	0.15-0.08 A
	5545M-70Y6	120-240V AC	0.10 A	0.28-0.15 A
		125-250V DC	0.11-0.02 A	0.15-0.08 A

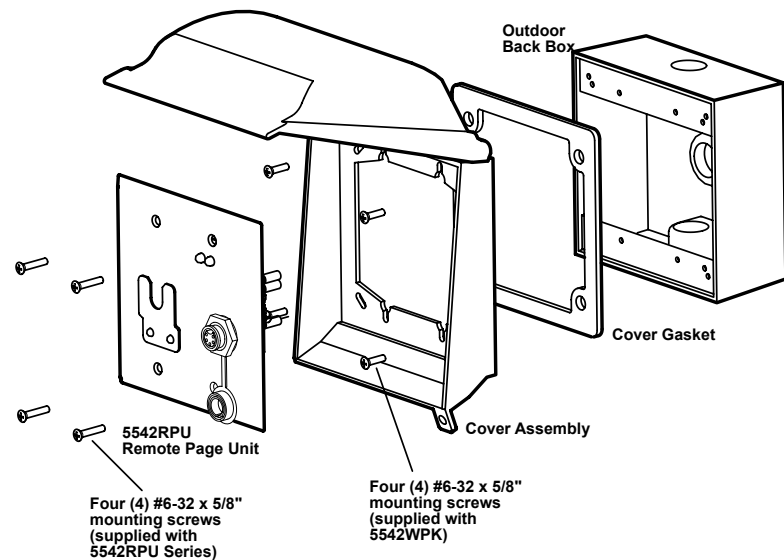
¹AC voltage frequency is 50/60 Hz.



Electronic Audible Signals Paging Devices Millennium Class

Features and Specifications

- Suitable for outdoor applications when mounted with 5542WPK
- Optional Desk Microphone
- Removeable Microphones
- UL 464 and cUL C22.2 listed No. 205
- NEMA Type 3R



Ordering Information

Description	Cat. No.
Remote Paging Unit	5542RPU
Remote Paging Unit with Hand Held Microphone 5542MIC-H	5542RPU-M

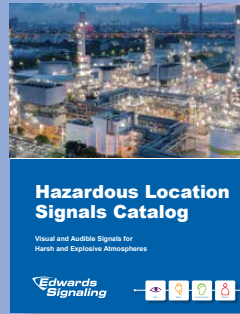
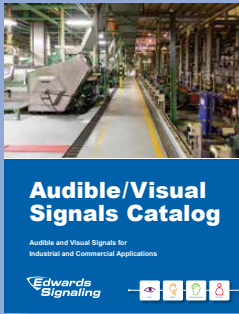
Accessories

Description	Cat. No.
Hand Held Microphone	5542MIC-H
Desktop Microphone	5542MIC-D
Mounting Kit	5542WPK
Relay	MR-201/C

AUDIBLE SIGNALS



Other SMARTER SIGNALING™ Solutions



Edwards Signaling is a division
of Kidde, a Carrier Company.
1016 Corporate Park Drive
Mebane, NC 27302