

4

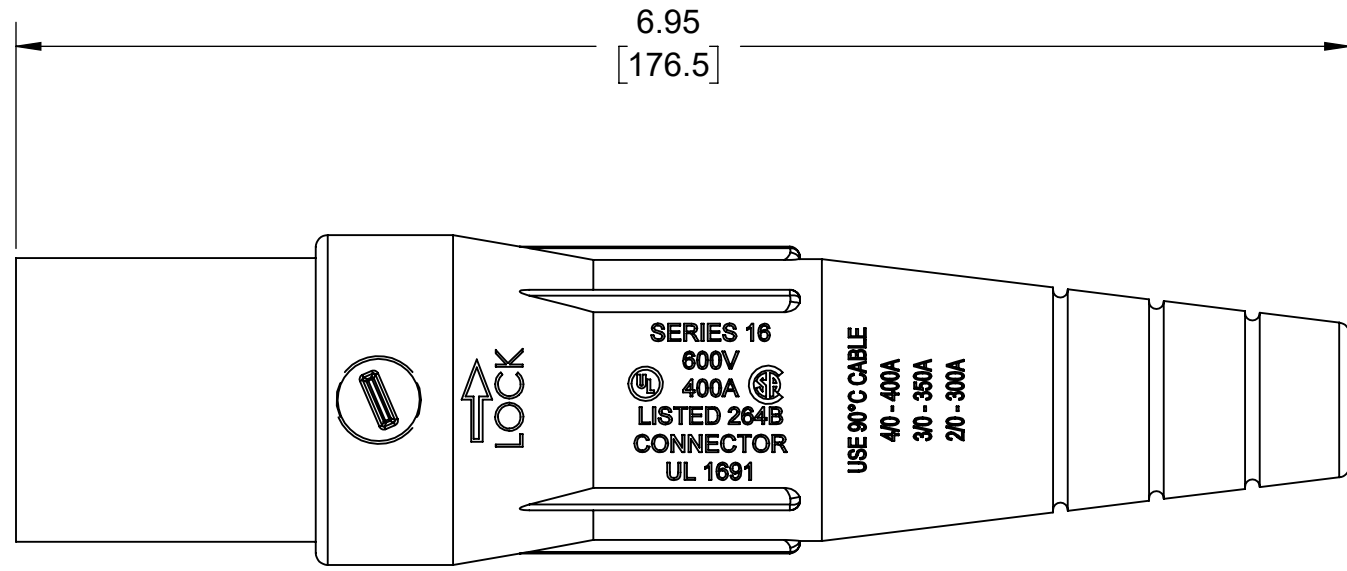
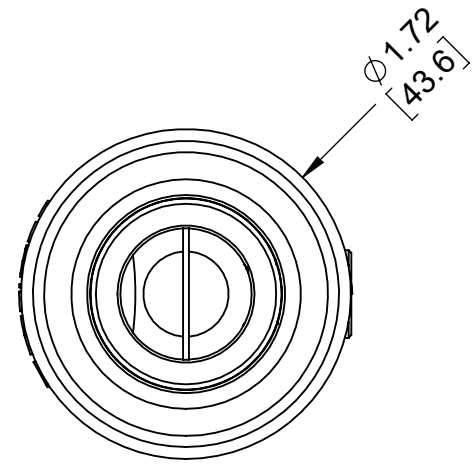
3

2

1

B

B



CATALOG# 16D28

A

A

UNLESS OTHERWISE SPECIFIED: DO NOT SCALE DRAWING. ALL DIMENSIONS ARE IN INCHES. ALL ANGLES ARE IN DEGREES.		<b>LEVITON</b> <sup>®</sup>		
TOLERANCES		TITLE: 16 SERIES TAPER NOSE 3/0 - 4/0 AWG 400 AMP MAX		
<b>INCH</b>	<b>METRIC</b>			
.XX ± .01	.X ± .2 mm			
.XXX ± .005	.XX ± .1 mm			
ANGLES: ± 1/2°		DWG NO. CATSTD-16D28-000-D01		
THIRD ANGLE PROJECTION				
		SIZE	SCALE: 1:1	SHEET 1 OF 1
ALL PRINTED COPIES ARE UNCONTROLLED		<b>B</b>	Copyright 2019. Unpublished. All Rights Reserved.	
				REV 1

4

3

2

1