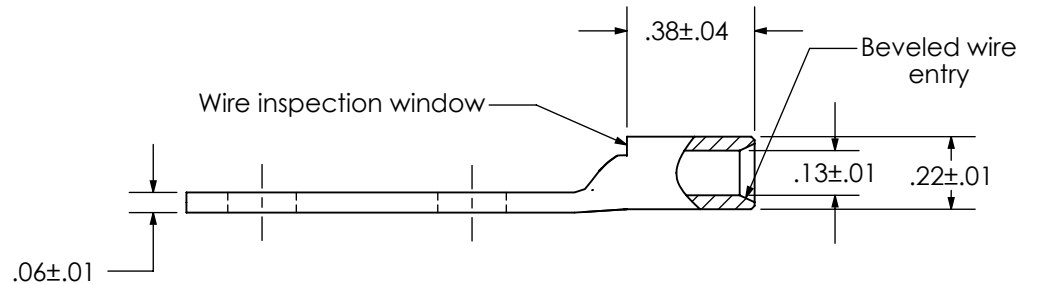
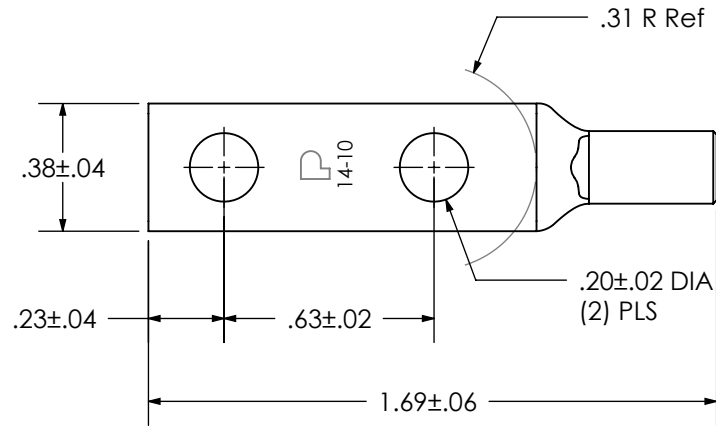


THIS COPY IS PROVIDED ON A RESTRICTED BASIS AND IS NOT TO BE USED IN ANY WAY DETRIMENTAL TO THE INTERESTS OF PANDUIT CORP.

| | |
|--|--|
| Material | High Conductivity Seamless Copper Tube |
| Plating | Electro-Tin |
| Wire Size | 14 - 10 AWG STR, 12 - 10 AWG SOL |
| Wire Type | Stranded Copper; Class B: Compact, Compressed or Concentric, Class C: Concentric |
| Wire Strip Length | 7/16 in. |
| Stud Size | #10 |
| UL Listed Wire Connector | Yes, for applications up to 35kv. Consult cable manufacturer for voltage stress relief instructions with applications greater than 2000 volts. |
| UL Temperature Rating | 90° C |
| C.S.A Certified Wire Connector | Yes |
| Panduit Color Code on Barrel | N/A |
| Panduit Die Index No. on Barrel | N/A |
| Alternate Industry Die Index No. () on Barrel | N/A |



PANDUIT CORP. TINLEY PARK, ILLINOIS

LCD10-10A-L
Copper Lug - Two-Hole, Standard Barrel

| REV | DATE | BY | CHK | DESCRIPTION | ECN |
|-----|-------|------|------|-------------------|-------|
| 01 | 12/04 | JHNU | JHNU | REVISED WIRE SIZE | 12305 |

SCALE N/A DRAWING NO / CAD FILE LCD10-10A-CUST