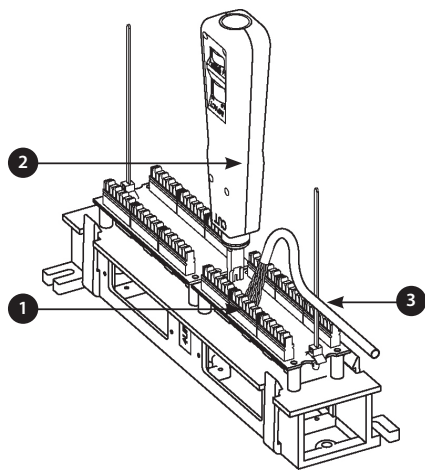
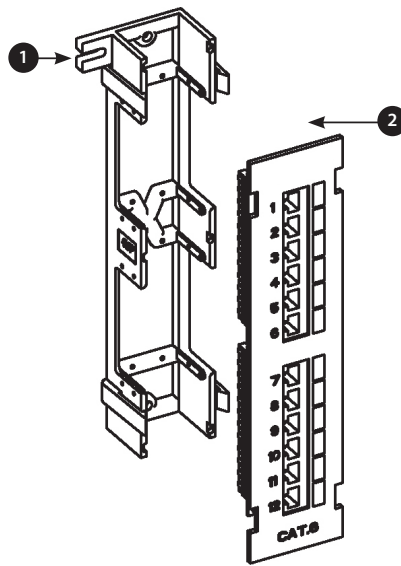


**INSTRUCTIONS**

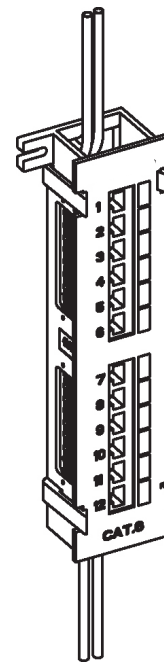
1. Strip cable jacket approximately 1-1/2". Insert wires into IDC according to the desired wiring configuration (T568A/T568B). Do not untwist wire pairs more than 1/2" from termination point.
2. Terminate wires using an impact tool; make sure excess wires are trimmed off.
3. Loosely bundle and secure cables to the wire management bracket with zip ties.



1. Mount bracket to wall.
2. Attach panel to bracket with IDC's facing out to dress and terminate wires. Then turn panel around and attach to panel with jack openings facing out.



Route cables from bracket through top, bottom or sides.



**WIRING DIAGRAMS**

