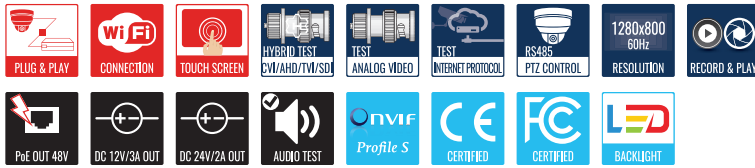


VZ-7IPTM

TOUCH SCREEN / WiFi 8K IP LED TEST MONITOR



MODEL #		VZ-7IPTM
VIDEO		
Screen Size	7"	
Max. Resolution	1200 x 800 @60Hz	
INTERFACE		
8MP HD-SDI / EX-SDI / 3G-SDI In	1	
8MP AHD / TVI / CVI / CVBS In	1	
CVBS / SCAN Out	1	
Ethernet (PSE/RJ45-TDR) / Ethernet (PoE/RJ45-TDR)	1 / 1	
Ethernet (UTP / Cable Tracer)	1	
HDMI In / Out	1 / 1	
RS485 (PTZ Control) In / VGA In	1 / 1	
TF Card In / Built-in MIC	1 / 1	
Audio In / Out	1 / 1	
USB (DC 5V (2A)) Out / DC 24V (2A) Out	1 / 1	
DC 12V (2A) In / DC 12V (3A) Out	1 / 1	
TEST		
Tester Play (Screen Projection)	Tester, Mobile Phone and PC display at the same time (For Android Ver. Mobile Phone)	
Network Test	Trace Route, Link Monitor, DHCP Server, Port Flashing, Ping Test	
PoE Test	Measurement PoE Switch or PSE Power Supply Voltage and Cable Connection Status	
Audio Test	1 ch Audio Signal Input, test whether Sound Normal, 1 ch Audio Signal, to connect Headphone	
Wi-Fi	Built in WIFI (speeds 150M) display wireless Camera Image	
Data Monitor	Captures & Analyzes the Command Data from controlling Device, also can send Hexadecimal	
Cable Test	UTP Cable Test	Test UTP Cable Connection Status & display on the Screen. Read the Number on the Screen
	RJ45 Cable TDR Test	Test Cable Pair Status, Length, Attenuation, Reflectivity, Impedance, Skew etc. Measurement Range 800 m
ANALOG VIDEO OUT		
Color Bar Generator - Output 1 ch	NTSC/PAL color bar video signal for testing monitor or video cable	
DIMENSIONS & WEIGHT		
Outline Dimension (W x H x D)	9.44 x 6.06 x 1.81" (240 x 154 x 46 mm)	
Net Weight / Gross Weight	4.4 lbs / 2 kg	

VZ-7IPTM ADVANTAGES

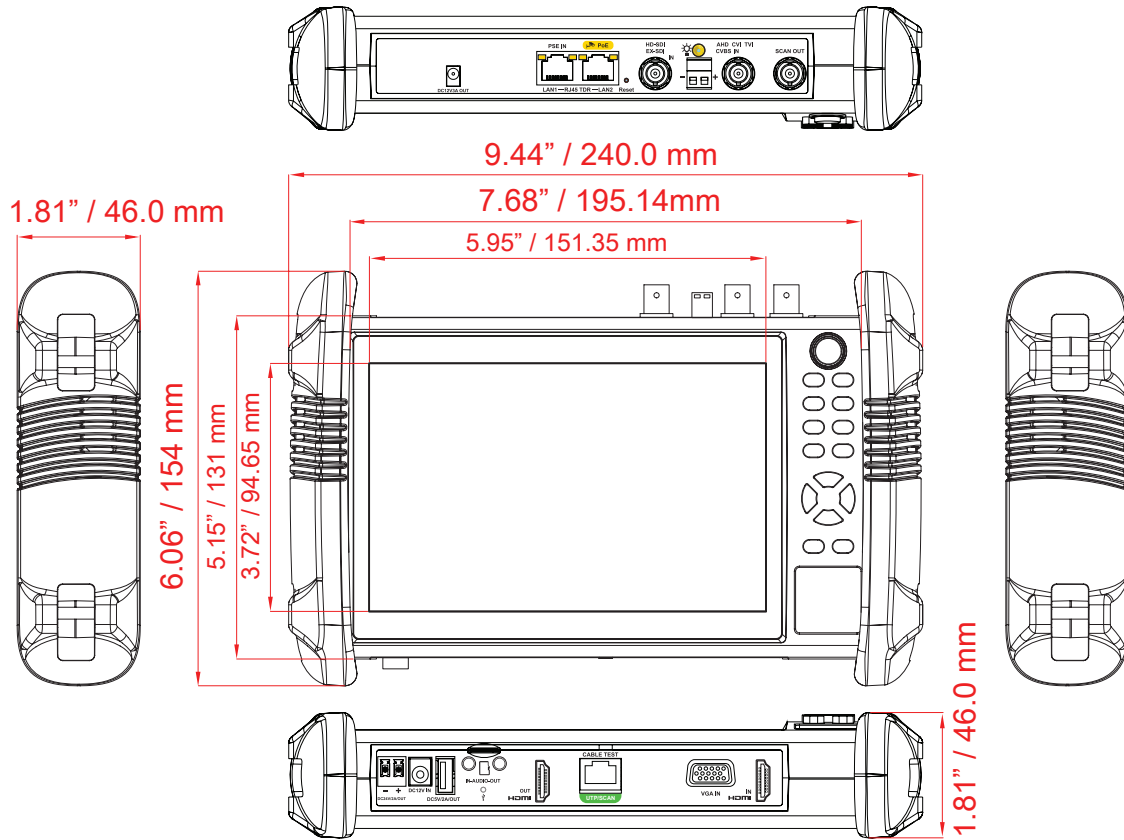
- 7" IPS with 1280 x 800 Resolution
- Built-in **Wifi** Connection, **Touch Screen** & 8K **H.265** Video Display
- Hybrid - 8MP **TVI, CVI, AHD & EX-SDI** Test
- **UTP Cable** Test / **RJ45 TDR Cable** Test / **Cable Quality** Test
- **Onvif**, IPC Test, IP Discovery, RTSP Play, Client APK
- HDMI Output 4K @60hz & HDMI Input 4K @30hz
- Rapid Video, Video Streaming Record, Playback & Screen Shot
- Color Bar Generator (NTSC/PAL), **P.o.E. Switch** or **PSE** Voltage
- Network - Ping, IP Scan, Port Flash, DHCP Server & Trace Route
- Display Network Port, WiFi & Other Network Connection Monitoring
- Support RS485 (**PTZ Control**), Lithium Battery (16 hours)
- 48V PoE, DC 24V 2A & DC12V 3A Power Out

VIDEO MODE		
CVBS	1 ch BNC In & 1 ch BNC loop-out, NTSC/PAL Analog video level meter, Sync signal level, Peak video signal level, Color-bar chroma level measurement PTZ control, RS485 control, Baud 600-115200bps, compatible with more than 30 protocols such as PELCO-D/P, Samsung, Panasonic etc	
	Loop Test	The tester can send and receive color bar generator signal to check BNC cable
IP Camera Test - 8K H.265 / 4K H.265 & H.264	IP Discovery, Quick ONVIF, IPC Test, RTSP Play, Client APK	
	Rapid Video	Auto view the video, create testing report
IP & CVBS Test	IP & CVBS test at the same time, converter test from analog to digital with dual test window	
Coaxial HD Test	8MP TVI Camera Test 8MP CVI Camera Test 8MP AHD Test 8MP	3840x2160p 15 fps, UTC control & call OSD menu 3840x2160p 12.5/15 fps, UTC control & call OSD menu 3840x2160p 12.5/15 fps, UTC control & call OSD menu EX-SDI, HD-SDI, 3G-SDI, UTC control & call OSD menu
HDMI In & Out	HDMI In 4K@30fps, HDMI Out 4K@60fps	
VGA In	1920 x 1080p	
Zoom Image	4xZoom, Record, Save, View & Record & Play Back	
GENERAL		
Power	Electrical Ratings Consumption	DC 12V (AC100 ~ 240V (50/60Hz)) / 2A ≤ 60 W
P.o.E. Injector	48V / 30W Output	
Battery	Capacity Type Operation Time	Built-in 7.6V Lithium Polymer Battery / 7800 mAh Rechargeable Lithium Polymer Battery 16 hours
Regulations	CE, FCC (A), RoHS	
Operating Temperature	14 - 122°F / -10°C ~ 50°C	
Operating Humidity	30 ~ 90% RH	
Language (OSD)	English, Spanish, Russian, Italian, French, Turkish, Portuguese, Polish, Deutsch, Serbian, Czech, Vietnamese, Japanese, Korean & etc	
Package Include	VZ-7IPTM (1pc), Network Cable Tester (1pc), 12V/2A Power Adaptor (1pc), User Manual (1pc), Polymer Lithium ION Battery(1pc), BNC Cable(1pc), 8GB SD Card (1pc), SC/ST Connector (1pc), RS485 Cable(1pc), Audio Cable(1pc), Tool Bag(1pc)	

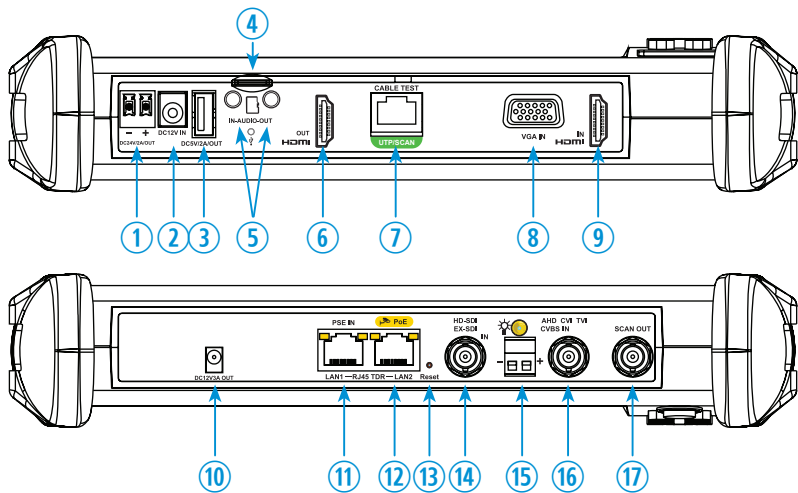
VZ-7IPTM

TOUCH SCREEN / WiFi 8K IP LED TEST MONITOR

DIMENSIONS



INTERFACE



1. DC 24V/2A OUT x1
2. DC 12V/2A IN x1
3. DC 5V/2A (USB) OUT x1
4. TF CARD IN x1
5. AUDIO IN/OUT x1/1
6. HDMI OUT x1
7. UTP x1
8. VGA IN x1
9. HDMI IN x1
10. DC 12V/3A OUT x1
11. RJ45TDR/PSE x1
12. RJ45TDR/PoE x1
13. RESET
14. HD/EX-SDI IN x1
15. RS485 x1
16. AHD/CVI/TVI/CVBS IN x1
17. CVBS/SCAN IN x1

Contact ViewZ

- Address : 1030 N ARMANDO ST., ANAHEIM, CA 92806
- Phone : (714) 996-1177, Fax : (714) 996-1138
- Sales : sales@viewzusa.com