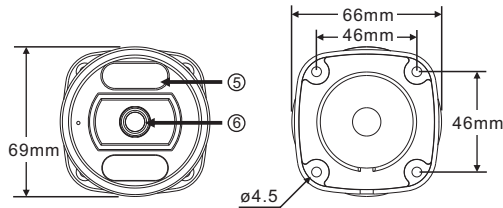
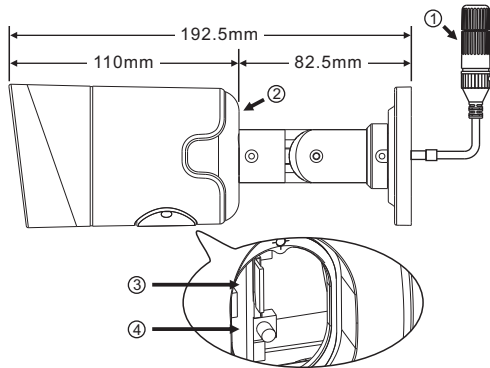




Warning: Do not throw your product in municipal waste. This product has been designed to enable proper reuse of parts and recycling. The symbol of the crossed out wheeled bin indicates that the product (electrical and electronic equipment) should not be placed in municipal waste. Check local regulation for disposal of electronics products.

Part Description & Dimensions

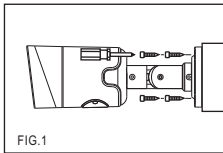


- ① RJ-45 Network Port (PoE supported)
- ② Camera Body
- ③ Micro SD card slot
- ④ Factory default button
- ⑤ Illuminator Windows
- ⑥ Lens

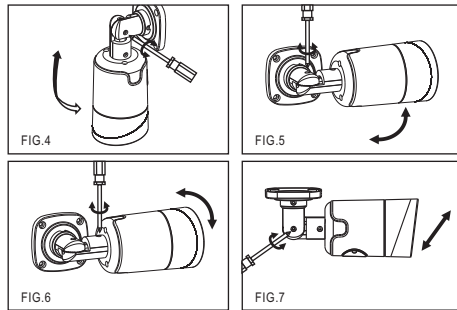
Installation

1. Remove the camera from the box first. Connect the Ethernet cable to the camera's RJ-45 network connector. Secure the camera in the desired location (FIG.1).

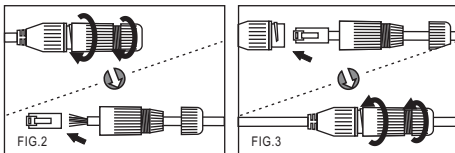
Note: For outdoor installation, it is recommended to install a waterproof junction box.



2. Adjust the five adjustment screws to move the camera to the desired angle, and then tighten the adjustment screws (FIG.4~7).



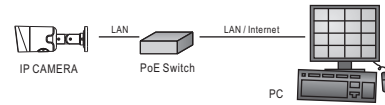
● Connect the RJ-45 Ethernet cable with a waterproof connector. First, remove the waterproof connector and unscrew the waterproof nut. Insert the Ethernet cable and connect to the RJ-45 connector with proper tools (FIG.2). Then, tighten the waterproof connector and nut before the RJ-45 connector is connected to the camera (FIG.3).



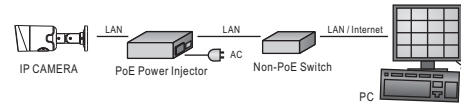
System Architectures

For connecting IP Camera series to the network, please follow one of the system architectures:

(1). Use with PoE of the network switch connected to the network.



(2). Use PoE power injector and the network switch connected to the network.



Before Accessing IP Cameras

Before accessing the IP camera, make sure that the camera's RJ-45 network, and power cables are properly connected. To set the IP address, consult your network administrator for an available IP address. The default IP address for each IP camera is 192.168.0.200. Users can use the default IP address for verifying the camera's network connection.

Emergency Factory Default

- To restore the hardware to factory default settings, please follow these steps:
1. Press and hold "RESET Key" for 10 seconds and release.
 2. The camera will be restored to factory default settings after approximately 90 seconds and will reboot automatically.
 3. Search for the IP device using the IPScan software.
 4. Start the IP device via an Internet browser.
 5. Enter the username and password to operate.

NOTE1: The factory default username and password are empty, and the user can set an account for login.
NOTE2: The IP address will revert to the default setting of 192.168.0.200.

Software Requirements

Universal ActiveX software components are required for web interface display of JPEG or Full HD video. When you login to the IP camera by Internet Explorer, the security warning dialog box will prompt the installation of the Universal ActiveX. Click **Install** to download it.

Configuring IP Addresses via Web Interface

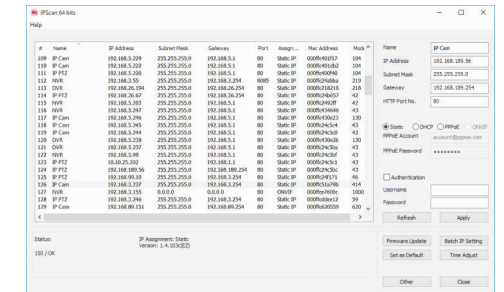
To change an IP address via web interface, type the default IP address (192.168.0.200) in the Internet browser and follow the steps below:

1. Login to the IP camera with the set username and password.
2. Click **Basic Mode** configuration hyperlink.
3. Click **Network->General** hyperlink.
4. Change the IP address, subnet mask, gateway, or HTTP port for the IP camera.
5. Click **Submit** to verify the settings.

Configuring IP Addresses with IPScan Software

To change the settings of the IP address, subnet mask, gateway, or HTTP port, you can follow the steps below:

1. Run the IPScan software.
2. Click **Refresh**. All available devices should be listed in the device list.
3. Select your device from the list provided.
4. Change the IP address, subnet mask, gateway, or HTTP port for the IP camera.
5. Click **Apply** to submit the settings.
6. Click **Refresh** to verify the settings.



Login

The factory default username and password are empty. To login to the Full HD IP camera, please set the username and password on the login page. Press [Login] to complete the setting and login simultaneously.



Password have to meet the following criteria:

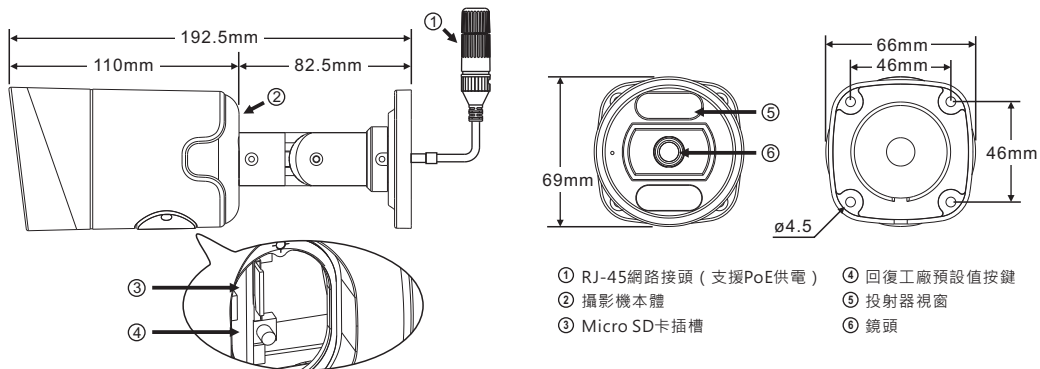
1. More than or equal to 8 characters.
2. Allow uppercase letter, lowercase letter, number digit, and special character.
3. Must have at least three types of character sets.

警告：此圖示，指在廢棄產品時不可直接丟棄垃圾桶，應進行拆解，並分類進行回收再利用。



安裝說明

部件說明及尺寸

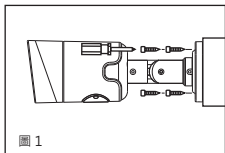


- ① RJ-45網路接頭 (支援PoE供電)
- ② 攝影機本體
- ③ Micro SD卡插槽
- ④ 回復出廠預設值按鍵
- ⑤ 投射器視窗
- ⑥ 鏡頭

安裝

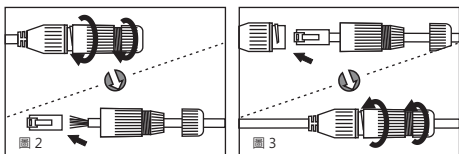
- 首先取出網路攝影機，將網路線接上網路攝影機的RJ-45網路接頭；並將腳架固定在所需的位置上 (圖1)。

註：戶外建議加裝接線盒！

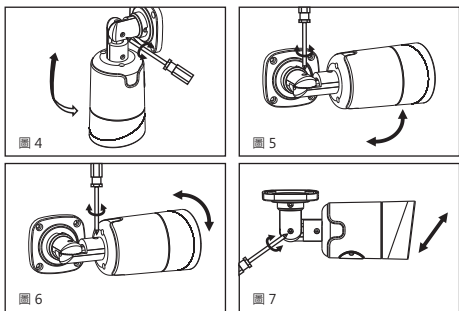


● 搭配防水接頭連接RJ-45網路線

首先將防水接頭取下，並將防水螺帽旋開；穿過網路線後再使用工具連接RJ-45接頭 (圖2)。將RJ-45接頭連接至網路攝影機，再依序將防水接頭、防水螺帽旋緊 (圖3)。



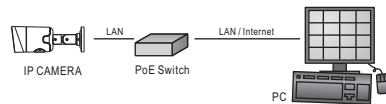
- 依需求調整腳架上的五個調整螺絲，轉動攝影機主體到所需的攝影角度後，再將其調整螺絲鎖緊 (圖4~圖7)。



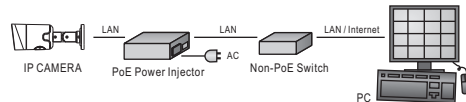
系統架構

請依據下列其中一種系統架構，連結高畫質網路攝影機和您的網路。

- 使用配備 PoE 的網路交換器連接網路。



- 使用 PoE 供電裝置 (Power Injector) 和網路交換器連接網路。



安裝前準備

在使用網路攝影機之前，請先確認攝影機RJ-45網路接頭和電源接頭是否接妥，並請網管人員提供一組未經使用的IP位址。出廠預設IP位址為192.168.0.200，使用者可以先行使用該IP位址去更改相關網路設定。

回復出廠預設值

使用硬體來回復出廠預設值，請按照下列步驟：

- 按住「回復出廠預設值按鍵」10 秒鐘。
- 約40秒鐘後網路連接 LED 燈將熄滅再點亮。
- 網路伺服器將重新開機。
- 使用 IPScan 軟體搜尋此 IP 設備。
- 使用網路瀏覽器開啟此 IP 設備。
- 輸入預設使用者名稱及密碼進行操作。

註1：出廠預設的使用者名稱和密碼為空白，由使用者自行設定輸入。

註2：為方便使用者起見，回復出廠預設值會回復到預設 IP 位址 192.168.0.200。

軟體需求

網路攝影機需要軟體解壓縮器顯示影像，網路攝影機的網頁介面需使用該軟體。當您第一次登錄本產品，網路攝影機的網頁介面會自動安裝Universal ActiveX元件，請按下「安裝」鍵安裝該元件。

使用HTML頁面來設定IP位址

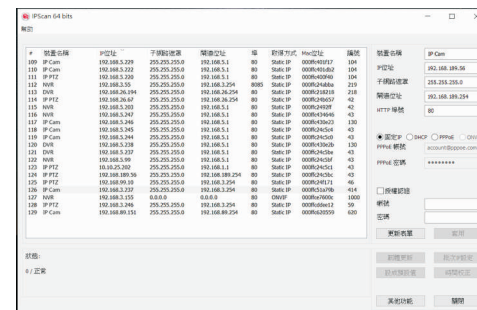
請先在網路瀏覽器網址列，輸入預設IP位址192.168.0.200，並按照下列步驟執行，使用HTML頁面來更改IP位址：

- 設定使用者名稱及密碼，登錄網路攝影機
- 按「組態設定」超連結
- 按「網路設定」「一般設定」超連結
- 輸入或修改IP位址、子網路遮罩、網路閘道(Gateway)或HTTP連接埠
- 按「確認」鍵，完成上述修改

使用IPScan軟體工具來設定IP位址

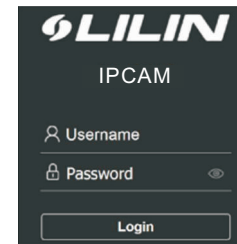
您可以使用IPScan(網路設備搜尋軟體)工具來設定IP位址。要更改IP位址、子網路遮罩、網路閘道、或HTTP連接埠，請參照下列步驟：

- 執行IPScan軟體工具
- 按「更新表單」鍵，區域網路內的所有設備將顯示在設備清單欄位
- 用滑鼠點選該設備
- 編輯或修改該設備之IP位址、子網路遮罩、網路閘道(Gateway)或HTTP連接埠等欄位
- 按「套用」鍵來更改該設定
- 按「更新表單」鍵來驗證該設定



登入

出廠預設的使用者名稱和密碼為空白。欲登入網路攝影機，請在登入頁面，設定使用者名稱及密碼並按下確認鍵，可同時完成使用者設定並登入。



密碼強度要求：

- 密碼長度需要8個字以上。
- 密碼必須包含英文字大寫、小寫、數字及特殊符號。
- 密碼必須強制使用至少3種文字型態。