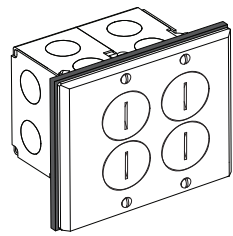


Floor Boxes - Double-Gang

Cat. No. 35249
 Rated: 15A - 125V
 Cat. No. 35349
 Rated: 20A - 125V



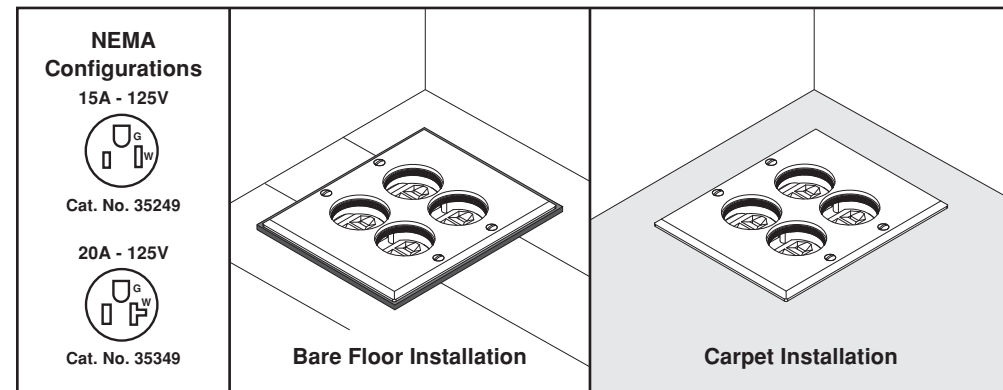
PK-A3125-10-00-0B

Installation Instructions

WARNINGS AND CAUTIONS

WARNING: TO AVOID FIRE, SHOCK, OR DEATH; TURN OFF POWER AT CIRCUIT BREAKER OR FUSE AND TEST THAT THE POWER IS OFF BEFORE WIRING!
WARNING: TO AVOID FIRE, SHOCK OR DEATH: USE A DIVIDER IN A FLOOR BOX WITH HIGH VOLTAGE AND LOW VOLTAGE WIRING AND ENSURE DIVIDER IS IN PLACE BEFORE INSTALLATION.

- To be installed and/or used in accordance with appropriate electrical codes and regulations.
- If you are unsure about any part of these instructions, contact an electrician.
- Use this device with **copper or copper clad wire only**.
- Electrical box is not suitable for masonry applications.
- Suitable for wood finished floors, tile, vinyl and industrial carpet 3/8" (1.0 cm) thickness only. Clean floor surfaces before mounting. Use all purpose sealing compound (not provided) as shown.
- Use only electrical mounting box provided.



The duplex receptacles included in this assembly are covered by U.S. Patent Nos. 7,355,117; 7,820,909; 7,868,719; 8,242,362 and corresponding foreign patents.

LIMITED 10 YEAR WARRANTY AND EXCLUSIONS

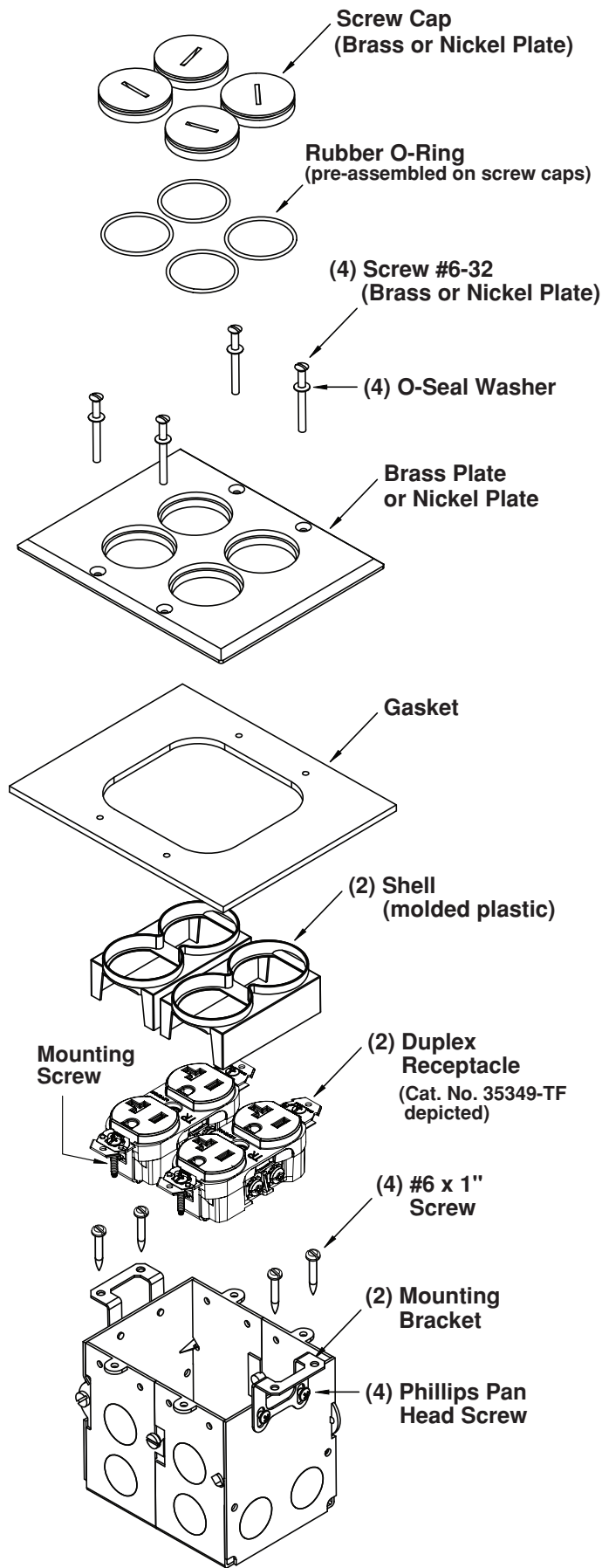
Leviton warrants to the original consumer purchaser and not for the benefit of anyone else that this product at the time of its sale by Leviton is free of defects in materials and workmanship under normal and proper use for ten years from the purchase date. Leviton's only obligation is to correct such defects by repair or replacement, at its option. **For details visit www.leviton.com or call 1-800-824-3005.** This warranty excludes and there is disclaimed liability for labor for removal of this product or reinstallation. This warranty is void if this product is installed improperly or in an improper environment, overloaded, misused, opened, abused, or altered in any manner, or is not used under normal operating conditions or not in accordance with any labels or instructions. **There are no other or implied warranties of any kind, including merchantability and fitness for a particular purpose, but if any implied warranty is required by the applicable jurisdiction, the duration of any such implied warranty, including merchantability and fitness for a particular purpose, is limited to ten years. Leviton is not liable for incidental, indirect, special, or consequential damages, including without limitation, damage to, or loss of use of, any equipment, lost sales or profits or delay or failure to perform this warranty obligation.** The remedies provided herein are the exclusive remedies under this warranty, whether based on contract, tort or otherwise.

For Technical Assistance Call: 1-800-824-3005 (U.S.A Only) www.leviton.com

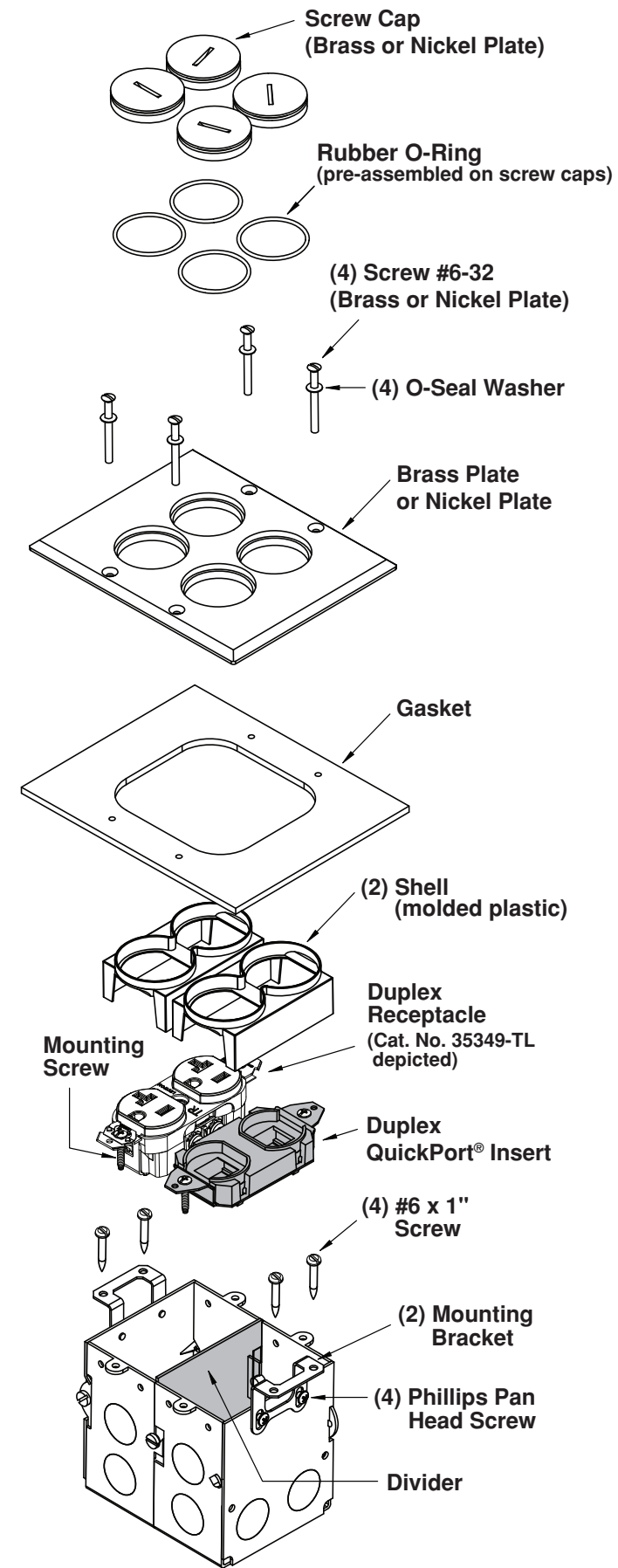
FOR CANADA ONLY

For warranty information and/or product returns, residents of Canada should contact Leviton in writing at Leviton Manufacturing of Canada Ltd to the attention of the **Quality Assurance Department, 165 Hymus Blvd, Pointe-Claire (Quebec), Canada H9R 1E9** or by telephone at **1 800 405-5320**.

Floor Boxes with 2 Duplex Receptacles (Cat. Nos. 35249-TFx, 35349-TFx)



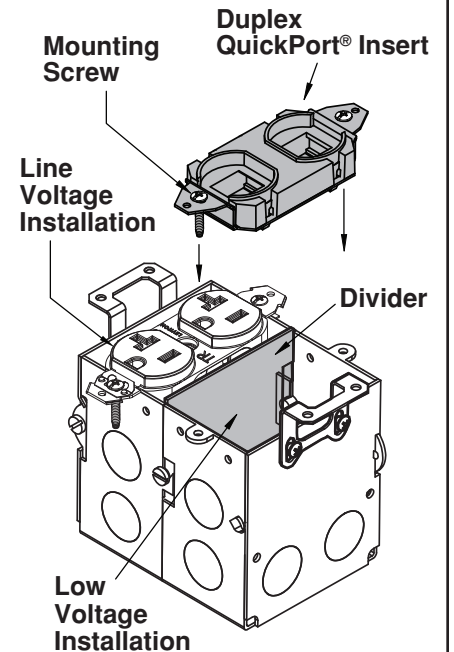
Floor Boxes with 1 Duplex Receptacle and 1 Duplex QuickPort® Insert (Cat. Nos. 35249-TLx, 35349-TLx)



NOTE: For low voltage installations, follow the instructions that come with your Leviton QuickPort® modules (sold separately).

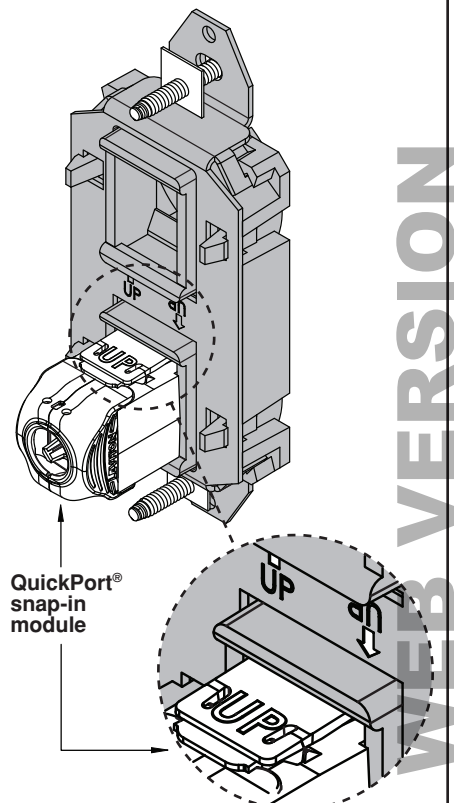
WARNING

Failure to use a divider in a floor box with high voltage and low voltage wiring can cause fire, shock or death. Ensure divider is in place before installation.



NOTE

Insert QuickPort® snap-in modules as shown: "UP" on connector must face "UP" on duplex QuickPort® insert.



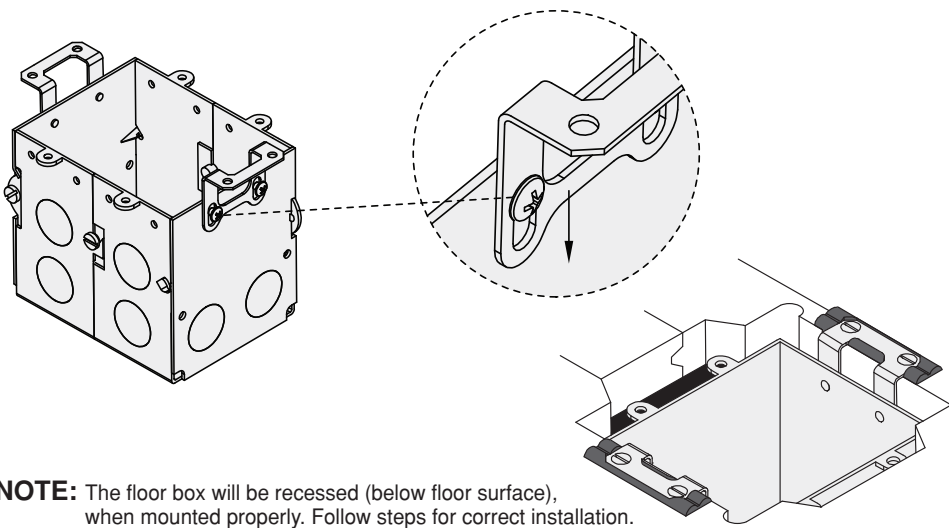
WEB VERSION

STEP 1 ADJUST AND TIGHTEN MOUNTING BRACKETS TO FLOOR BOX

IMPORTANT NOTE: Oval adjustment hole on bracket **MUST** be mounted to floor box. Remove desired knockouts in floor box before mounting.



NOTE: Ensure mounting brackets on the floor box are fully in the "DOWN" position. Securely torque mounting bracket screws **12-14 in-lbs** prior to floor installation.

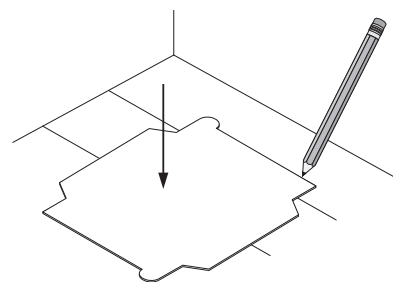


NOTE: The floor box will be recessed (below floor surface), when mounted properly. Follow steps for correct installation.

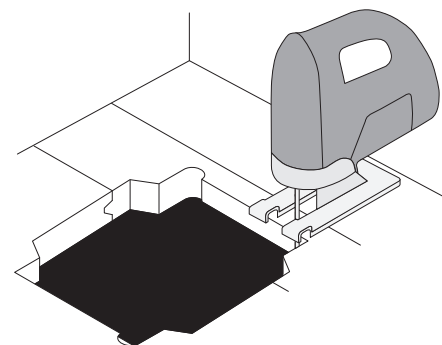
STEP 2 CUT CARPET (if applicable), and FLOOR

BARE FLOOR

A) Place floor cut out template on floor in desired location and trace.



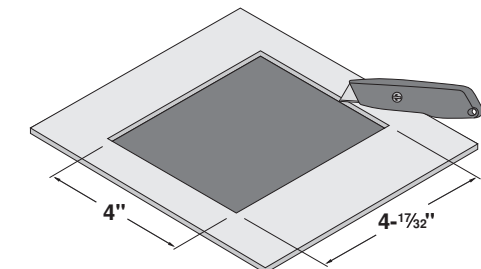
B) Cut mounting area for floor box.



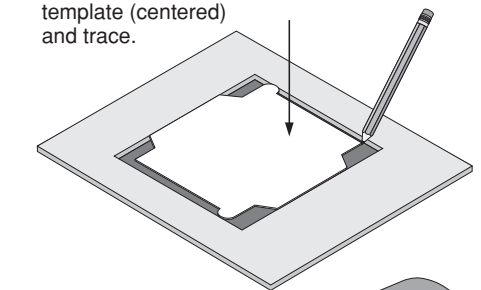
CARPET

A) Cut a 4" x 4-17/32" hole in carpet in desired location.

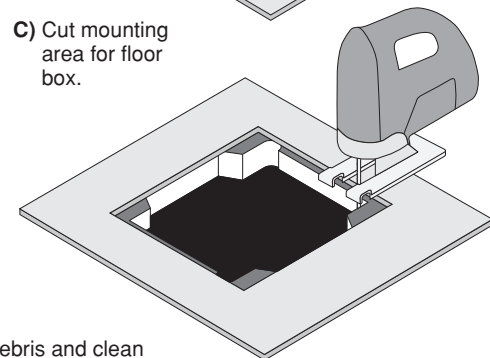
CAUTION: Do not cut carpet opening larger than recommended dimensions. A larger opening may compromise the integrity of the seal.



B) Place floor cut out template (centered) and trace.



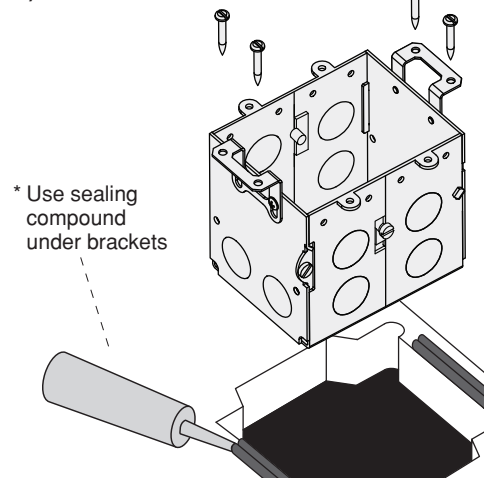
C) Cut mounting area for floor box.



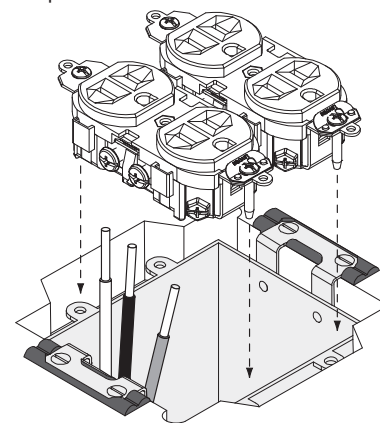
NOTE: Remove debris and clean floor surfaces before mounting.

STEP 3 MOUNT FLOOR BOX, RECEPTACLE AND SHELL

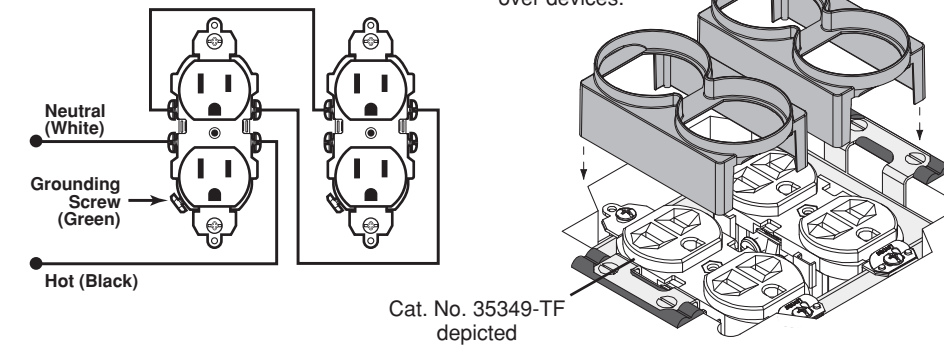
A) Mount box.



B) Pull conductors. Wire and mount receptacles.



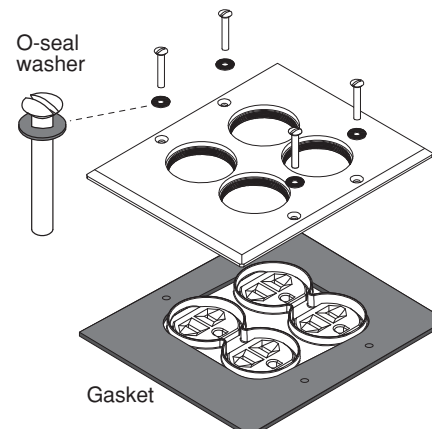
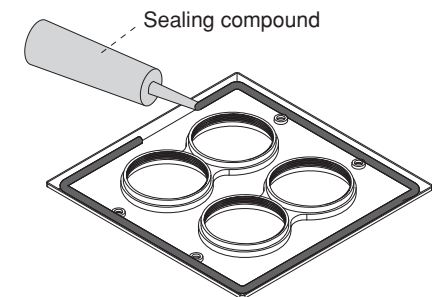
C) Place plastic shells over devices.



STEP 4 SEAL DEVICE ACCORDING TO APPLICATION

BARE FLOOR

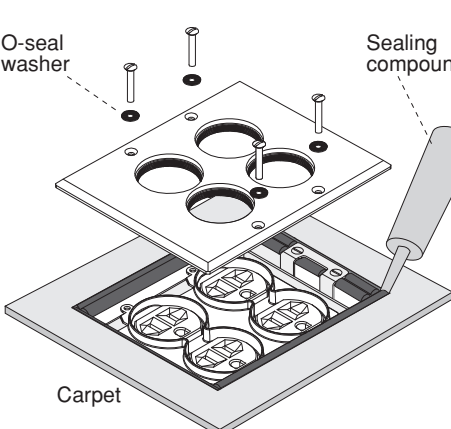
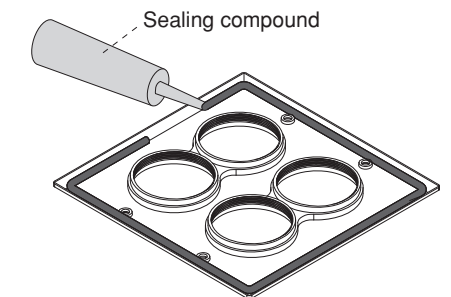
- Apply sealing compound
- Add O-seal washers to cover plate screws
- Place gasket



CARPET

- Apply sealing compound (2 places)
- Add O-seal washers to cover plate screws

Note: Gasket is not required for carpet installations.



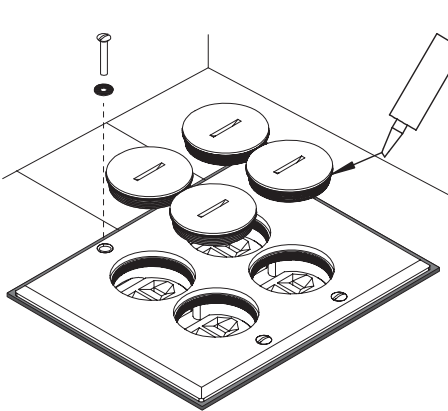
STEP 5 MOUNT COVER PLATE



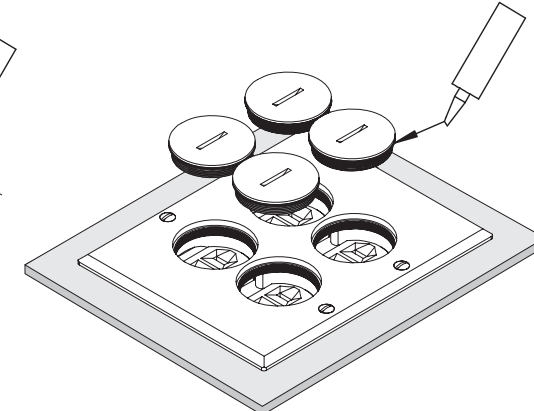
NOTE: Torque mounting plate screws to 9 in-lb.

NOTE: Use screw cap when not in use. O-rings are pre-assembled to screw caps. Apply an all purpose silicone lubricant to O-ring before assembly. Torque screw cap to 20 in-lb.

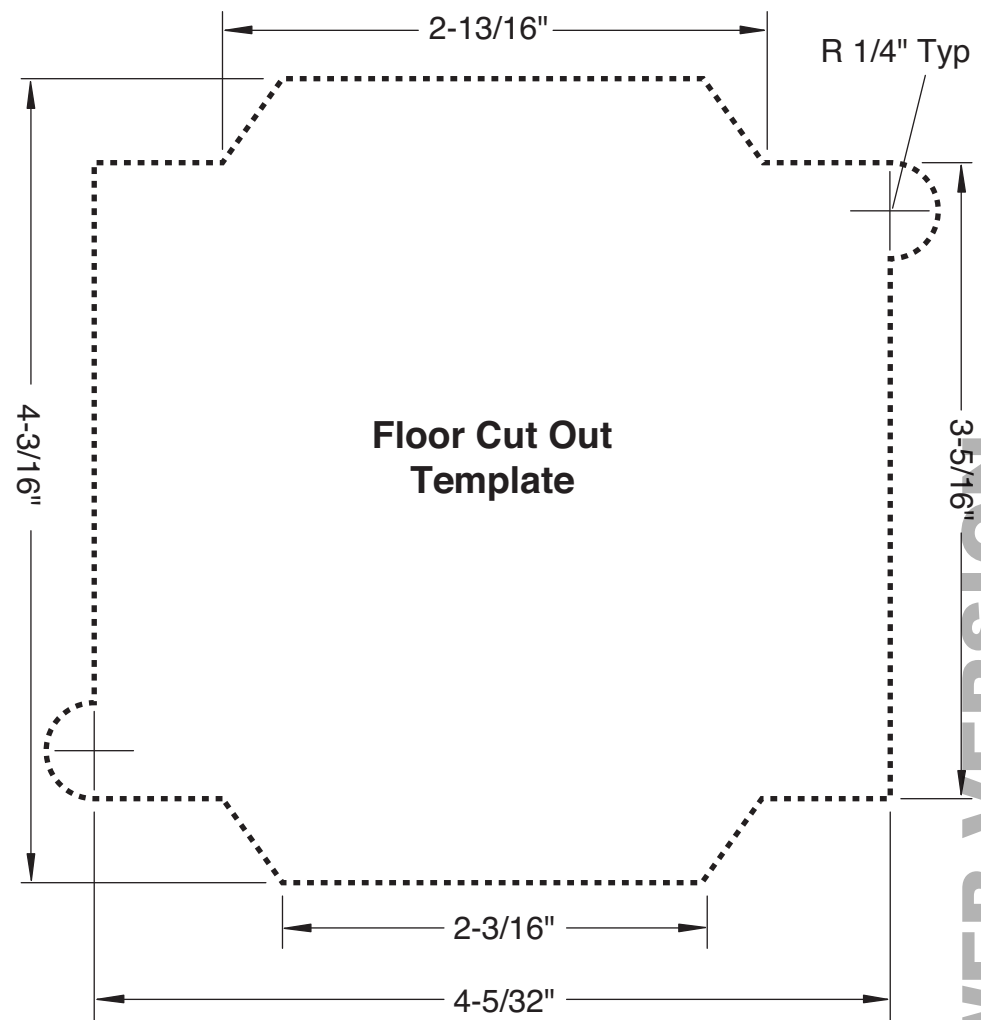
BARE FLOOR



CARPET



Carefully cut template along dotted line



WEB VERSION