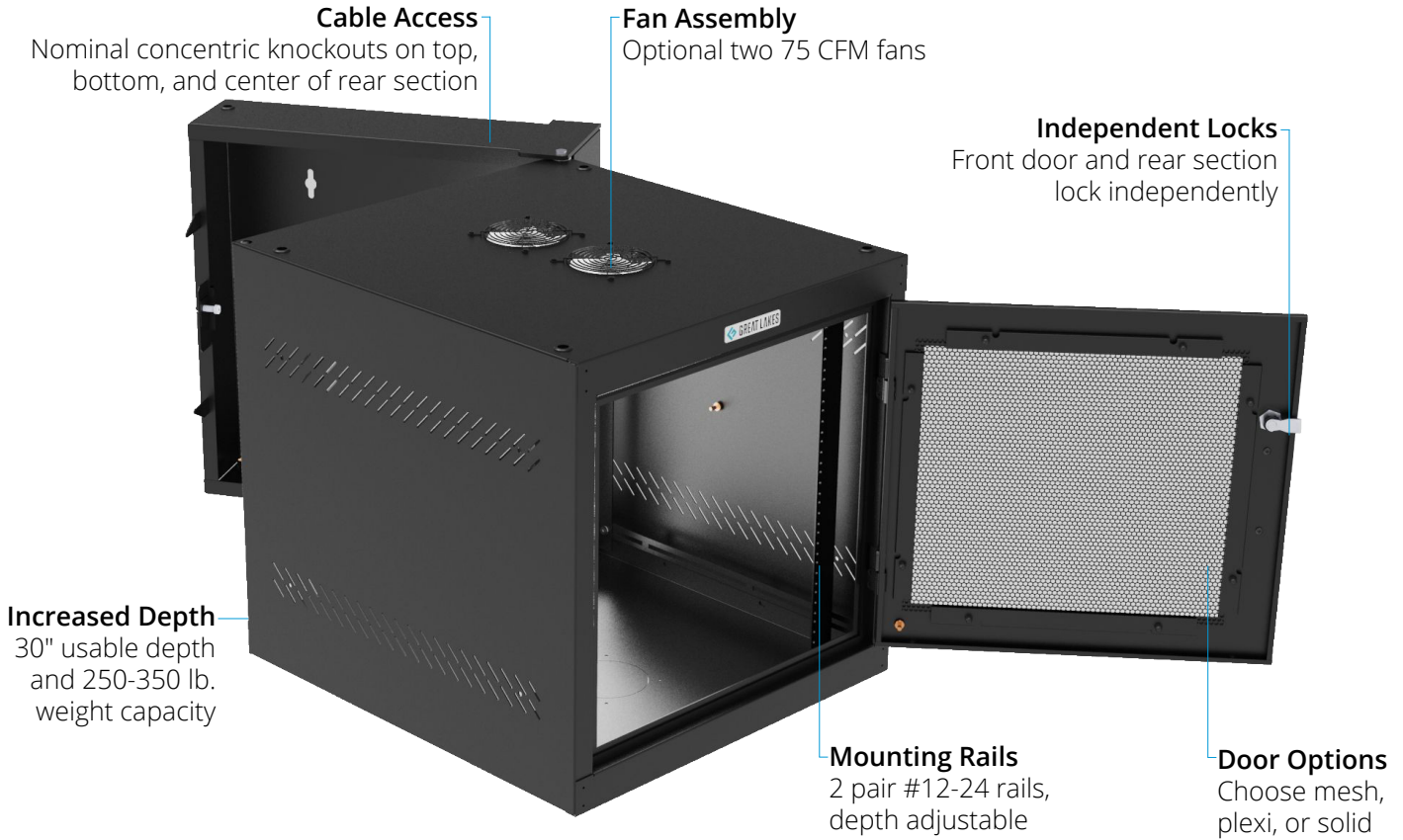




WALL MOUNT: INCREASED WEIGHT CAPACITY



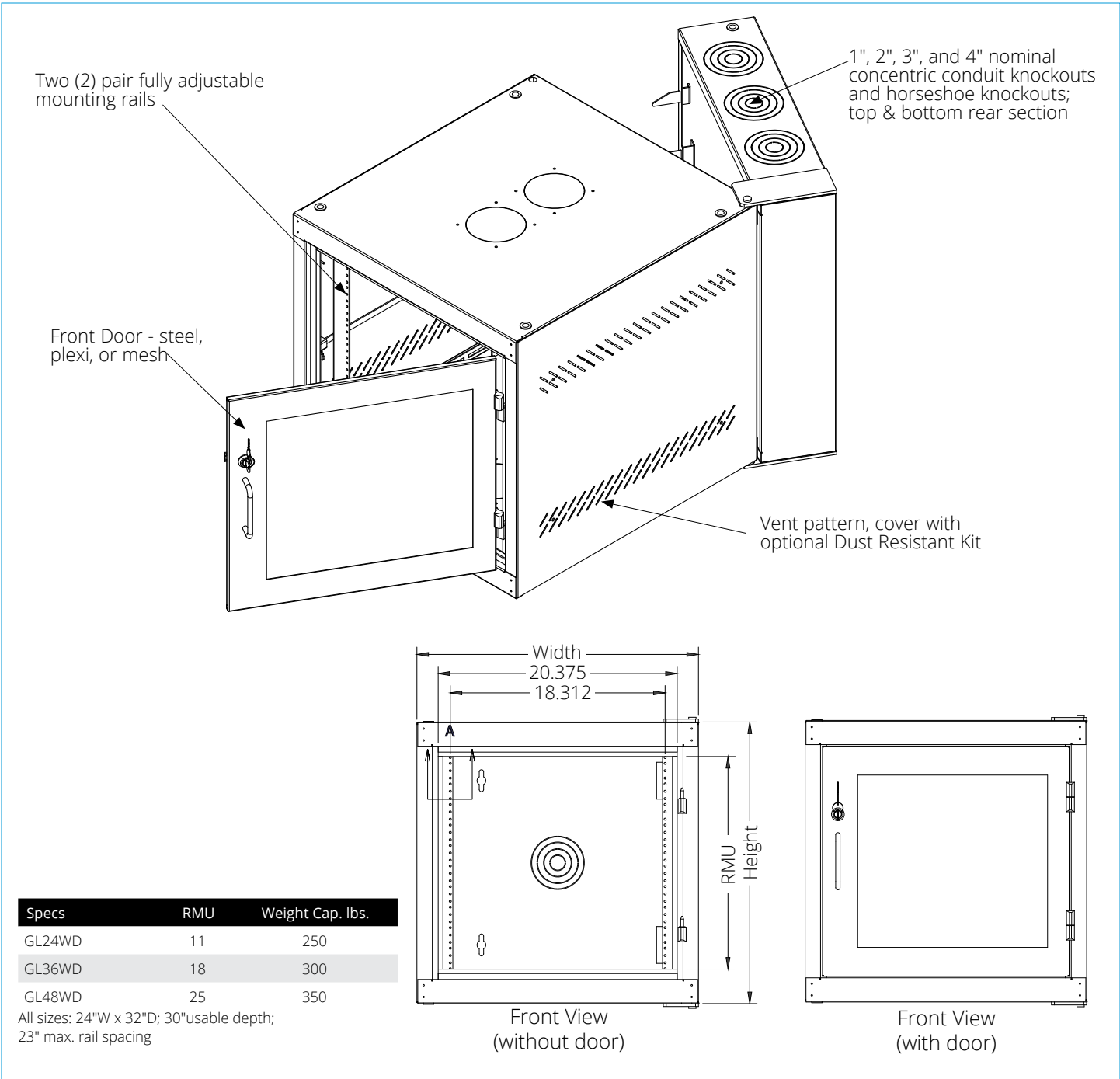
Height	Door	Color	Airflow	Example
GLXXWD	X-	B-	XX-	Configured WD
24	P (Plexi)	B (Black)	AF (Fan Included)	GL24WDP-B-AF
36	M (Mesh)		00 (None)	
48	S (Solid)			

FEATURES

- Two pair of #12-24 tapped mounting rails (depth adjustable)
- 1", 2", 3", 4" Nominal concentric conduit knockouts on top, bottom, and back of rear section
- Optional dust kit to protect equipment in contaminated areas
- Independent keyed locks on front door and rear section
- Reversible mounting for left-hand or right-hand opening
- Optional casters to deploy wall mount as free-standing (see reverse)
- Standards: UL2416, RoHS II



4193 Route 6N • Edinboro, PA 16412 | 1.866.879.4522
 View the complete Great Lakes product line at GreatCabinets.com
 ©2021 Great Lakes Data Racks & Cabinets. All rights reserved.



POPULAR ACCESSORIES

Part No.	Description
CM-04	Horizontal cable organizer with five 3.5" x 5", ¼ turn "D" rings; 2 RMU
CM-05	Horizontal cable organizer with five 1.5" x 3.5", ¼ turn "D" rings; 1 RMU
7219	6 receptacles, 5-15R receptacle, 5-15P plug, 15 amp, 125V power strip for 19" mounting
CBB-19	Copper Bus Bar for 19" mounting
DK4	Dust resistant kit, includes cover plates and hardware
7206-FR-A18	Stationary shelf (front/rear mount adjustable), 17.5"W x 18"D, 1 RMU, 150 lb. weight capacity
7208WD	One set of 5 stem casters, increases weight capacity to 400 lbs.

