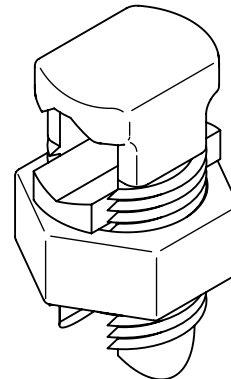
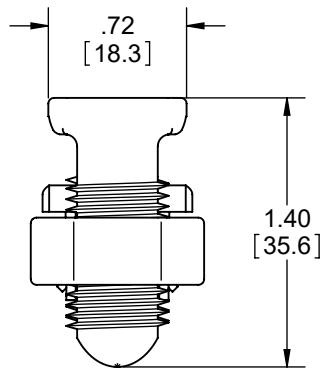
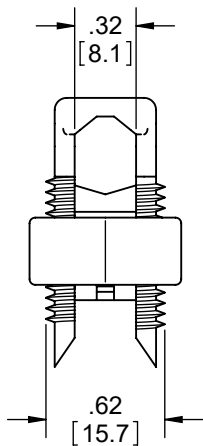


DIMENSIONS IN BRACKETS [ ] ARE MILLIMETERS



- PART NUMBER: GROUND BOLT
- ATTACHES UP TO #1 GROUND WIRE TO TRAY SECTION WHEN SEPARATE GROUND WIRE IS REQUIRED
- USED FOR UL GROUNDING COMPLIANCE
- CONTACT AREA MUST BE FREE OF POWDER COATED FINISH OR PAINT ON TRAY TO ENSURE PROPER GROUNDING
- WT/100 PC: 0.11 LB [0.05 KG]
- MATERIAL FINISH: COPPER PLATED

THIS DRAWING AND/OR THE TECHNICAL INFORMATION CONTAINED HEREON IS THE PROPERTY OF EATON CORPORATION ("EATON"), AND IS ISSUED IN CONFIDENCE FOR EATON ENGINEERING PURPOSES ONLY AND MAY NOT BE REPRODUCED OR USED FOR ANY PURPOSE WHATSOEVER WITHOUT THE EXPRESS WRITTEN PERMISSION OF EATON TO THE USER. THIS DRAWING AND/OR TECHNICAL INFORMATION IS THE PROPERTY OF EATON AND IS LOANED FOR MUTUAL ASSISTANCE. TO BE RETURNED WHEN ITS INTENDED PURPOSE HAS BEEN SERVED.



Eaton, B-Line Division  
 509 W. Monroe Street  
 Highland, IL 62249  
 Phone (618) 654-2184  
 FAX (618) 654-5499

www.b-line.com

**SUBMITTAL DRAWING**

TITLE:

**FLEXTRAY  
 GROUND BOLT**

REFERENCE DWG(S):

SUBMITTAL NO:

**S00015603**

DRAWN BY: **MLW** REV: **B**

DATE: **3/27/2017**

MODEL SOURCE FILE: **00015603** REV: **00**

SHEET: **1 OF 1**

UNLESS OTHERWISE SPECIFIED MATERIAL SHOWN HAS BEEN FABRICATED IN ACCORDANCE WITH THIS DRAWING.