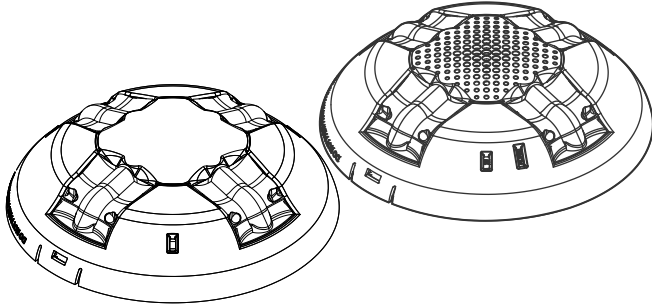


## Genesis LED EGCSVH and EGCVH High-Candela Speaker-Strobe Installation Sheet



### Description

Genesis LED EGCSVH speaker-strobe and EGCVH strobe are ceiling- or wall-mounted fire alarm notification appliances designed for indoor dry applications. See Table 1 and Table 2 below for models.

**Table 1: Strobes**

Catalog number	Description
EGCVHRF	Strobe, ceiling, red, FIRE
EGCVHWF	Strobe, ceiling, white, FIRE
EGCVHRN	Strobe, ceiling, red, no marking
EGCVHWN	Strobe, ceiling, white, no marking

**Table 2: Speaker-strobes**

Catalog number	Description
EGCSVHRF	Speaker-strobe, ceiling, red, FIRE
EGCSVHWF	Speaker-strobe, ceiling, white, FIRE
EGCSVHRN	Speaker-strobe, ceiling, red, no marking
EGCSVHWN	Speaker-strobe, ceiling, white, no marking
EGCSVHWA	Speaker-strobe, ceiling, white, ALERT

Genesis LED EGCSVH Series notification appliances feature:

- Field-configurable speaker and strobe outputs. See Figure 2 and Figure 3.
- Enhanced synchronization circuitry to comply with the latest requirements of UL 1638 and CAN/ULC-S526.
- Input wiring test points available from the front of the appliance when the cover is removed.
- Speakers that are approved for low frequency sounder applications when used with compatible tone file and systems.

**Note:** Synchronized operation requires a separately installed synchronization device. See the control unit or remote booster/auxiliary power supply compatibility list for compatible synchronization devices.

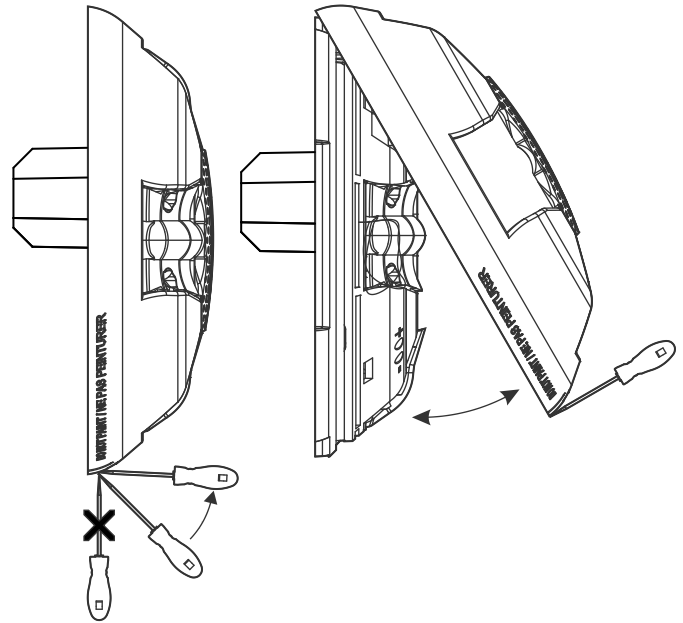
### Configuration

**Caution:** Equipment damage hazard. Using excessive force when removing the appliance cover may damage the cover and prevent it from latching in place.

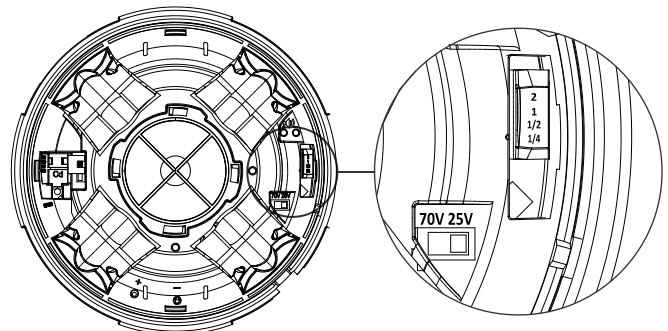
To configure the notification appliance:

1. Remove the appliance cover. See Figure 1.  
Insert a small, flat-bladed screwdriver into the slot at the bottom of the appliance.  
Gently pull up on the screwdriver to pry the bottom of the appliance cover down and away from the appliance.  
Lift the bottom of the cover out and over the top of the appliance.
2. Select the speaker's voltage and power setting. See Figure 2.  
Set the voltage for 25 or 70 VRMS. Set the power for 1/4, 1/2, 1, or 2 watts.
3. Select the strobe's output for 135, 150, 177, or 185 candelas. See Figure 3.
4. Replace the appliance cover. Press until it snaps firmly into place.

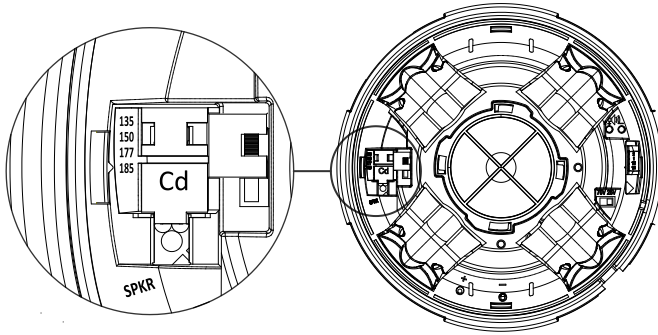
**Figure 1: Removing and replacing the cover**



**Figure 2: Speaker switch settings**



**Figure 3: Strobe switch settings**



**Installation**

Install and wire this device in accordance with applicable national and local codes, ordinances, and regulations.

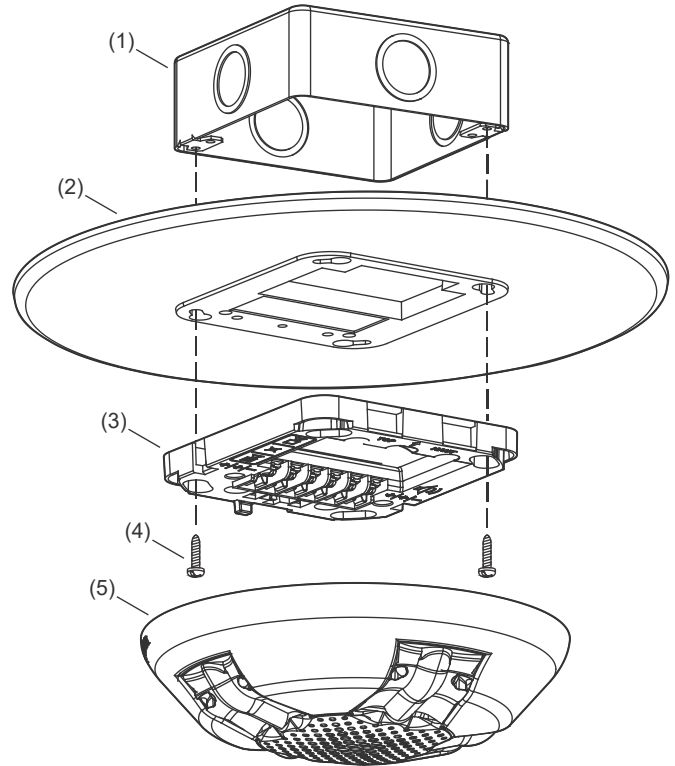
**Caution:** Electrical supervision requires that you break the wire run at each terminal. Do not loop the notification circuit field wires around the terminals.

**To install the appliance:**

1. Attach the wiring plate and, if used, the trim plate to the electrical box. See Figure 4. Do not overtighten the screws.  
The wiring plate and the trim plate are both ordered separately.
2. Connect the field wiring. Observe signal polarity for the appliance to operate properly. See Figure 5.
3. Remove the shorting clip (Figure 5, item 5). Retain for future use.
4. Plug the appliance into the wiring plate by setting the appliance on the top of the wiring plate, and then snapping the bottom into place. See Figure 6.
5. Test the unit for proper operation.

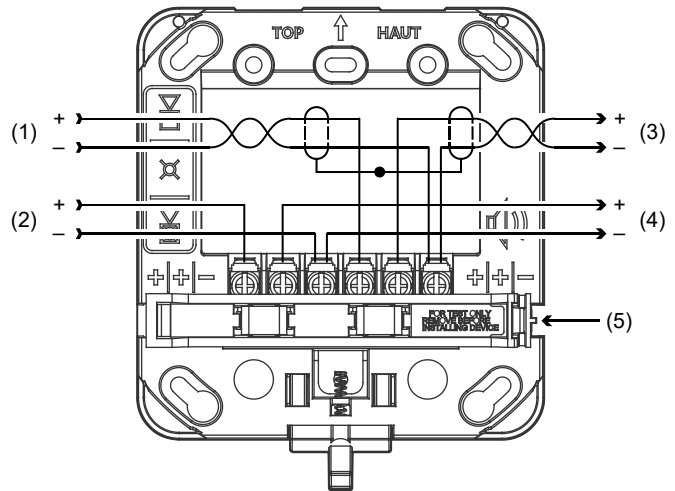
To remove the appliance, press the spring clip on the bottom, and then lift the appliance away from the wiring plate. See Figure 6.

**Figure 4: Mounting diagram**



- (1) Electrical box
- (2) Trim plate (optional)
- (3) Wiring plate (required, ordered separately)
- (4) Machine screw (2X, supplied with wiring plate)
- (5) Notification appliance

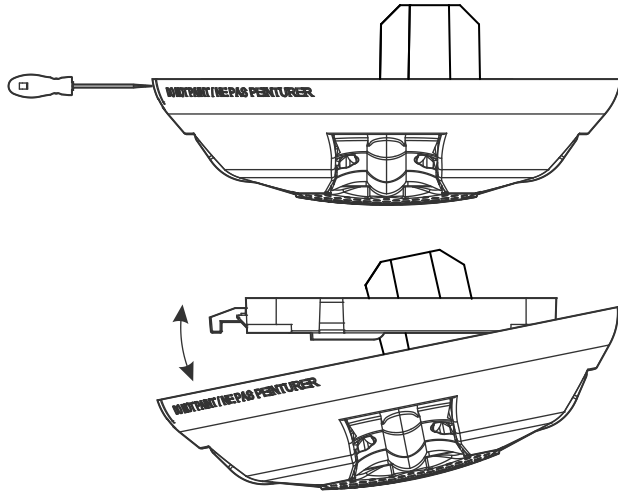
**Figure 5: Wiring**



- (1) Speaker circuit IN (shields, if used, must be continuous and free from earth ground except at the signal source)
- (2) Strobe circuit IN (polarity shown in the active condition)
- (3) Speaker circuit OUT
- (4) Strobe circuit OUT
- (5) Shorting clip

**Note:** Do not remove the shorting clip (Figure 5, item 5) until you are ready to install the notification appliance.

Figure 6: Removing and replacing the appliance



## Maintenance and testing

**Caution:** Equipment damage hazard. To maintain the required agency listings, do not change factory-applied finishes.

This unit is not serviceable or repairable. If the unit fails to operate, contact the supplier for a replacement.

Perform a visual and operational inspection in accordance with applicable codes and standards or as directed by the local authority having jurisdiction.

Input wiring test points are available on the front of the appliance when the cover is removed. The test points allow easy measurement of wiring voltages without the need to remove the mounted appliance. See Figure 7 and Figure 8.

Figure 7: Speaker test points

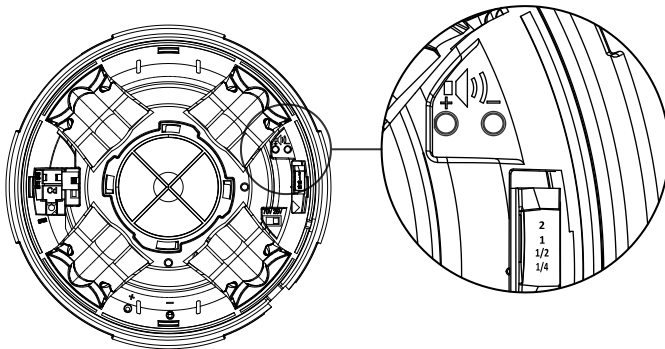
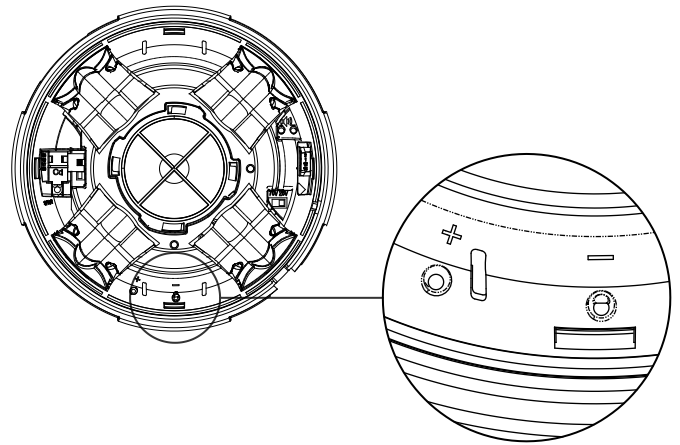


Figure 8: Strobe test points



**Note:** Marking indicates signal polarity when the circuit is active.

## Specifications

Operating voltage	16 to 33 VDC, 16 to 33 VFWR
Strobe	25 VRMS, 70 VRMS (field configurable)
Speaker	
Operating current	
16 to 33 VDC	53 mA
16 to 33 VFWR	68 mA
Supervisory voltage	30 V max.
Sound output	See Table 3 and Table 4
Speaker response	400 to 4,000 Hz
Strobe flash rate	1 fps (flash per second) approx.
Light output	135, 150, 177, or 185 cd
Light distribution	See Figure 9
Synchronization	20 $\Omega$ max. between any two devices.
	To determine allowed wire resistance, refer to these specifications and the specifications for the synchronized signal source.
Dimensions	See Figure 10
Center offset	0 in. (0 cm)
Compatible electrical boxes	2-gang, 4-inch square, 4-inch octagon with GOCT adapter plate
Wiring plate	GRSW (catalog number: GRSW-10)
Trim plates	GCTR, GCTW
Replacement covers	See Table 5 and Table 6
Operating environment	
Temperature	32 to 122°F (0 to 50°C)
Relative humidity	0 to 93% noncondensing
Storage temperature	-40 to 158°F (-40 to 70°C)

Table 3: Sound level (dBA) at 3.05 m (10 ft.)

Voltage setting	Wattage setting	Reverberant (UL 1480)	Anechoic (CAN/ULC-S541)
25V / 70V	1/4W	78	77
	1/2W	81	80
	1W	84	83
	2W	87	85

**Table 4: Sound pattern (ULC)**

Axis	Angle	Change in output
Horizontal	120° and 60°	-3 dBA
	140° and 40°	-6 dBA
Vertical	120° and 60°	-3 dBA
	145° and 40°	-6 dBA

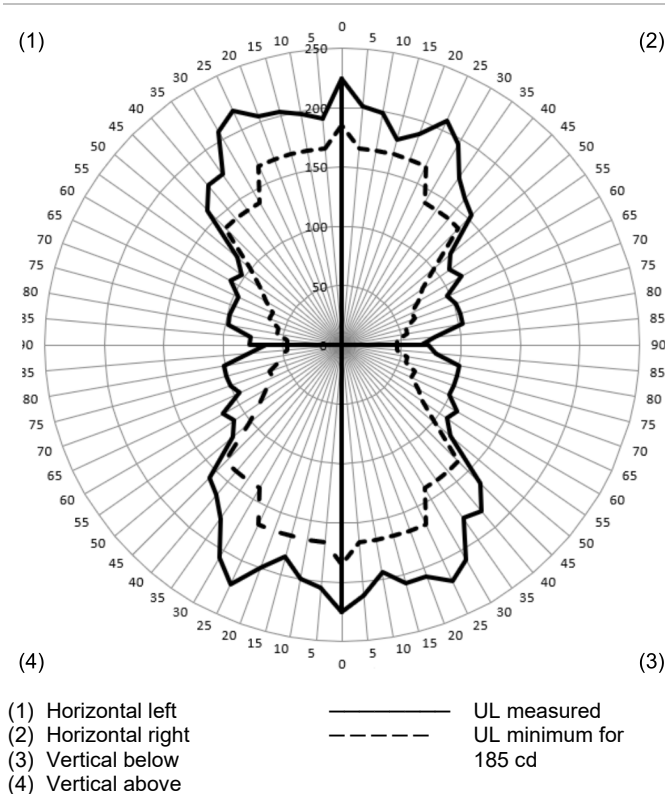
**Table 5: Strobe replacement covers**

Number	Description
EGCVRP-CVR	Cover, ceiling strobe, red, FIRE
EGCWA-CVR	Cover, ceiling strobe, white, ALERT
EGCVWF-CVR	Cover, ceiling strobe, white, FIRE
EGCVWN-CVR	Cover, ceiling strobe, white, no marking

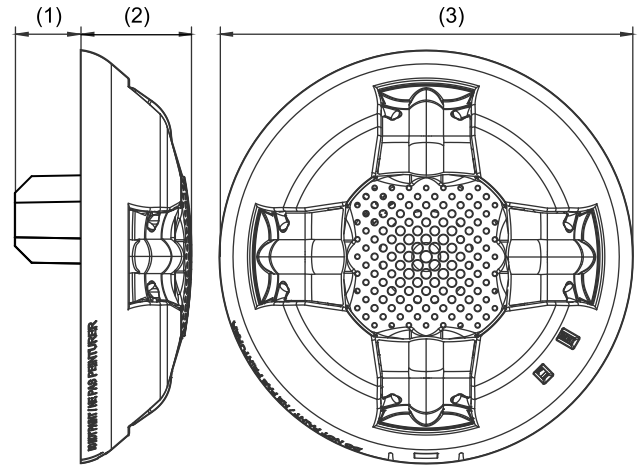
**Table 6: Speaker-strobe replacement covers**

Number	Description
EGCSVRP-CVR	Cover, ceiling speaker-strobe, red, FIRE
EGCSVRN-CVR	Cover, ceiling speaker-strobe, red, no marking
EGCSWA-CVR	Cover, ceiling speaker-strobe, white, ALERT
EGCVWF-CVR	Cover, ceiling speaker-strobe, white, FIRE
EGCVWN-CVR	Cover, ceiling speaker-strobe, white, no marking

**Figure 9: Light distribution**



**Figure 10: Dimensions**



- (1) 1.10 in. (2.87 cm)
- (2) 1.82 in. (4.62 cm)
- (3) Diameter 6.80 in. (17.27 cm)

**Regulatory information**

UL rating	Regulated 24 DC and 24 FWR
FCC compliance	This device complies with part 15 of the FCC Rules. Operation is subject to the following two conditions: (1) This device may not cause harmful interference, and (2) this device must accept any interference received, including interference that may cause undesired operation.
Industry Canada compliance	This Class A digital apparatus complies with Canadian ICES-003.
Environmental class	Indoor, dry

**Contact information**

For contact information, see [www.kidde-esfire.com](http://www.kidde-esfire.com).