

## 8035 SERIES

8035 is designed for mortise mount in double swing doors. It can be configured to semi-surface and surface mount with optional housings. The series are suitable to be installed on a variety of door types, including metal, wooden, aluminum, or glass doors with optional brackets. Armature screws can be adjusted to compensate for the gap between the frame and door. 8035-002 comes with magnetic bond sensor.

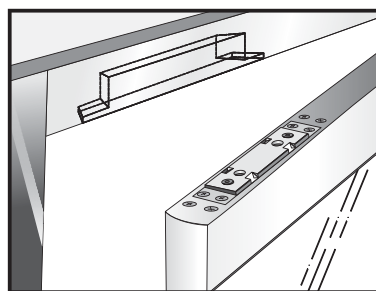


### SPECIFICATION

- Operating Voltage: 12/24VDC
- Current Draw: 420mA/12VDC; 210mA/24VDC (at temperature 20°C)
- Magnetic bond sensor monitor output (8035-002) SPDT rated: 0.5A/125VAC ; 1A/24VDC
- Operating Temperature: -30~+50°C
- Humidity: 0~95% non-condensing
- Shear holding force: Up to 1200 lbs (545 Kg)
- The Gap between the Lock and Armature plate is 2 mm
- Special Finishes for magnet and armature plate: Zinc Plated
- Epoxy Potting Compound: E87252 (S), UL94V-0
- Net Weight : 1.2 Kg

### MORTISE MOUNT

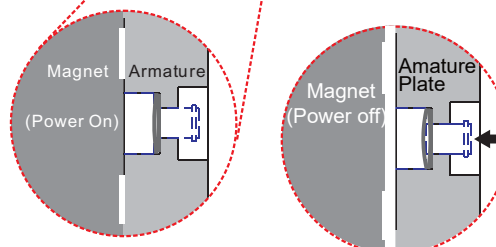
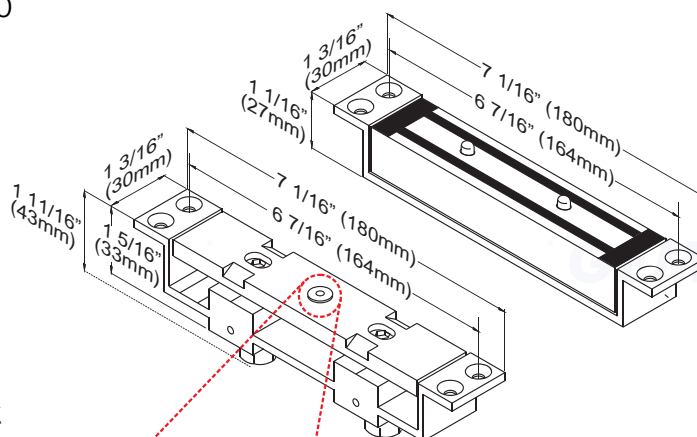
#### HORIZONTAL INSTALLATION



### DIMENSION

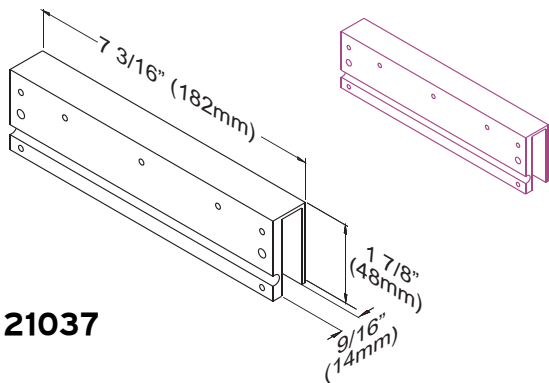
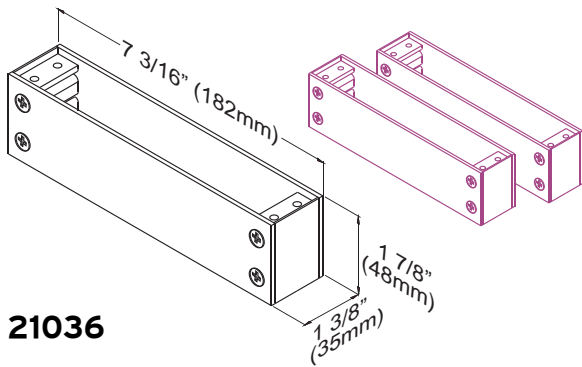
#### UNIQUE ANTI-RESIDUAL DESIGN

When there is no power, there will be no holding force, and the push-off button will pop out immediately, to release the Electromagnetic Lock and the Armature Plate for no residual magnetism.



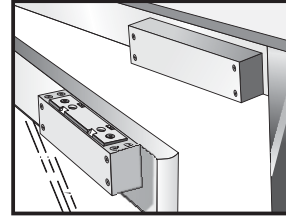
## OPTIONAL BRACKETS

The unit may also be fitted semi-surface or surface installation with the use of the 21036, 21037 and 21054 brackets. The magnet should be fitted to the door transom and the housing holding armature on to the door. It is vital that a minimum gap of 2mm exists between the magnet and the armature, to allow correct operation.

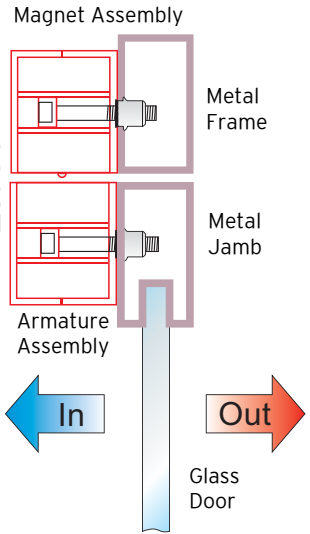


Suitable for full frameless glass door and wall 10~13mm glass thickness.

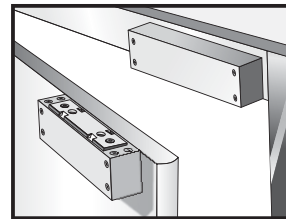
### SURFACE MOUNT



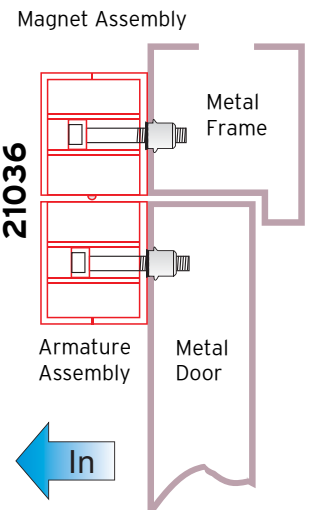
Double Action Metal Door



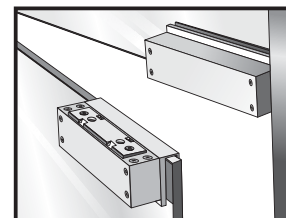
### SURFACE MOUNT



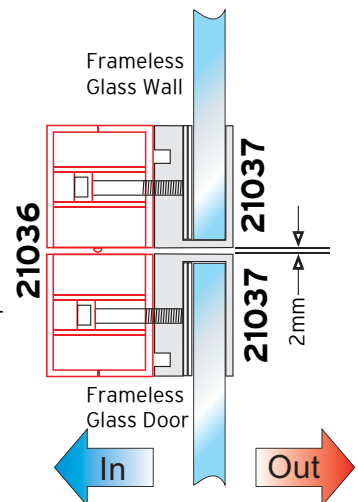
In-swing Metal Door



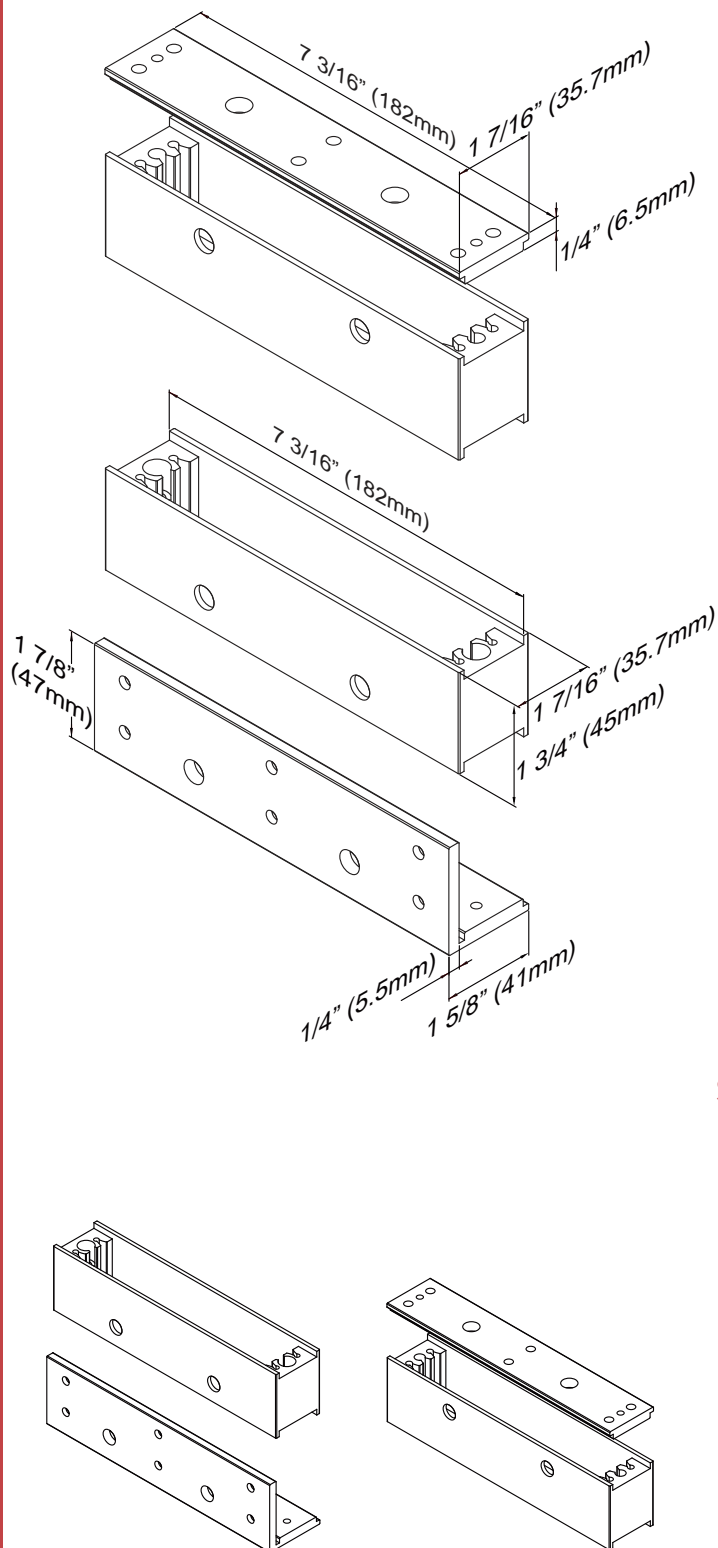
## INSTALLATION ON FRAMELESS GLASS DOOR



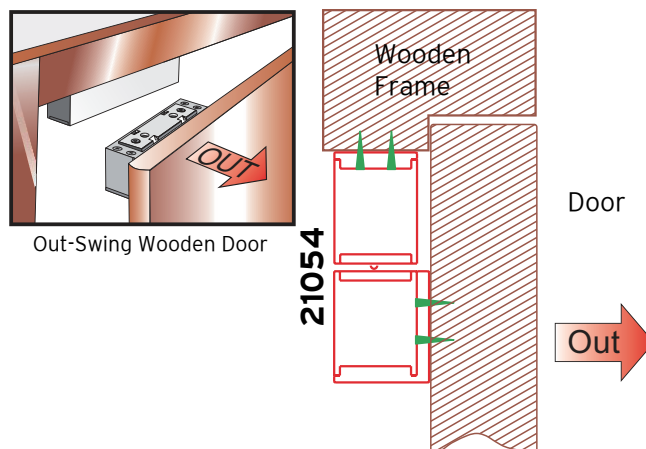
Double action glass door



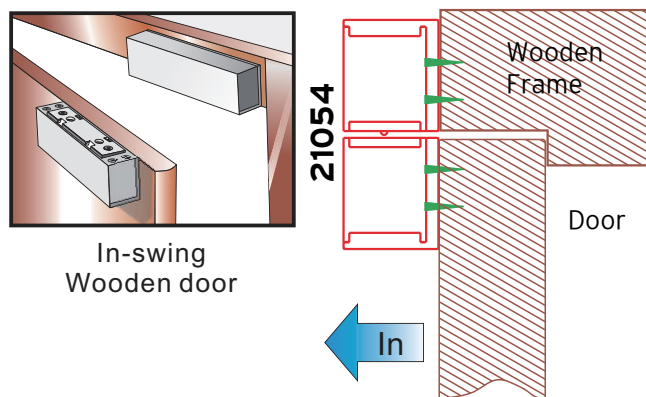
## OPTIONAL BRACKETS



## SURFACE MOUNT



## SURFACE MOUNT



## SEMI-SURFACE MOUNT

