



Keyed lock and integral front handle.

### features . . . . .

- **Panel Space:** 2U
- **Overall Depth:** 15.07" [383] with integral handle
- **Overall Width:** 19.00" [483]
- **Description:** Fully welded steel utility drawer mounts to front rails of 19" equipment racks using standard E.I.A. spacing.
- **Construction:** Fully-welded 16-gauge certified U.S. steel. Smooth black powder epoxy finish. Ball bearing slides for smooth operation.
- **Cable Management:** Plastic bushing in rear for wire pass-through (up to 1.06" diameter).
- **Hardware:** Mounting hardware is not included.
- **Lock:** Front lock with key.
- **Origin:** Made in the U.S.A.
- **Compliance:** EIA/TIA compliant.
- **Load Capacity:** 50 lbs.
- **Options:**
  - **DFI-2:** Die-cut foam insert (2U x 15.5" x 14") is pre-scored with pick-and-pull sections to allow the user to create custom nests to secure specific pieces of equipment. Includes solid (3/8"H) foam bottom. Available for 3U or 4U drawer.
  - **CDM:** Non-slip perforated mat liner (15.5" x 14") provides a protective barrier for a drawer's metal surface.

### a&e specifications . . . . .

The rackmount utility drawer shall be Lowell Model #UDEL-214, which shall be fully-welded 16-gauge certified U.S. steel with smooth black powder epoxy finish. The 19.00"W x 15.07"D x 2U drawer shall feature ball-bearing slides for smooth operation, an integral handle, a plastic bushing in the rear for wire pass-through, and a key lock for security. Load capacity shall be 50 lbs. The drawer shall be made in the U.S.A.

#### Options

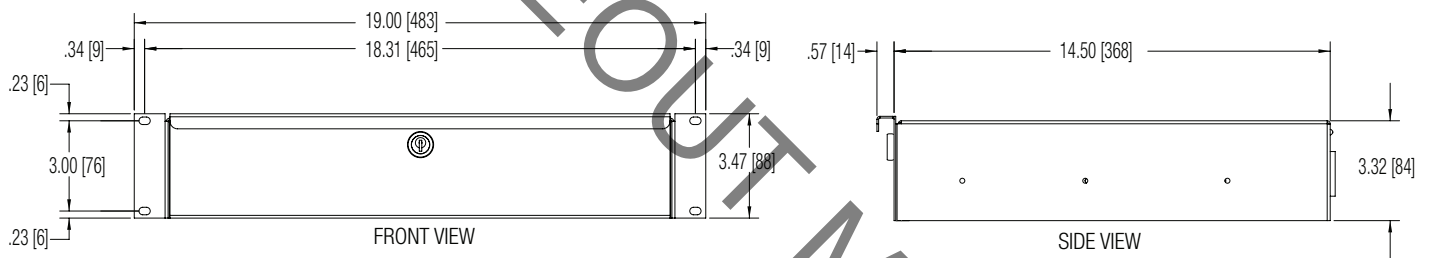
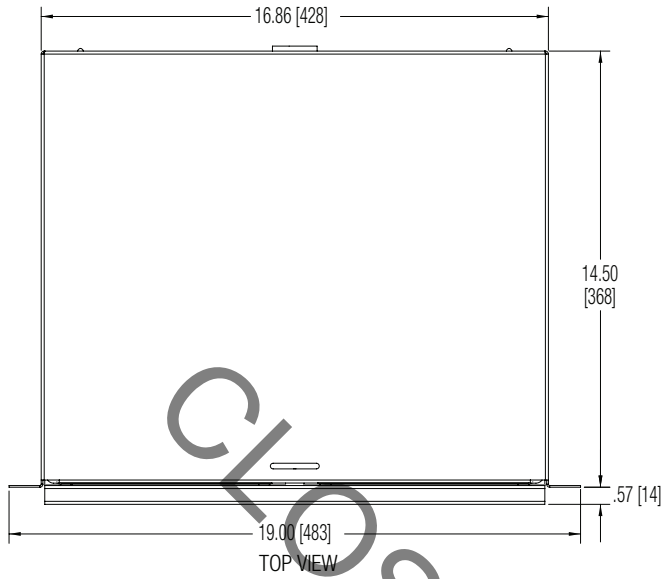
- The drawer shall include die-cut foam insert model #DF1-2 pre-scored with pick-and-pull sections. It shall measure 15.5" x 14" x 2 rack units.
- The drawer shall include a non-slip mat liner (15.5" x 14").

#### UDEL series summary

Model No.	Panel Space	Overall Height	Overall Width	Overall Depth	Drawer Width	Drawer Depth	Key Lock
UDEL-214	2 U	3.47 [88]	19.00 [483]	15.07 [383]	16.86 [428]	14.5 [368]	yes
UDEL-314	3 U	5.22 [133]	19.00 [483]	15.07 [383]	16.86 [428]	14.5 [368]	yes
UDEL-414	4 U	6.97 [177]	19.00 [483]	15.07 [383]	16.86 [428]	14.5 [368]	yes

Dimension = inches [mm]  
1U = 1.75"





CAD SEQUENTIAL MODEL

